



Thank You for purchasing this

Factory Service Manual on EBAY

from PCTECHINFO!



[Click Here](#) for more Factory Service

Manuals for other Computer and

Printer / Copier Manufacturers

from PCTECHINFO!

OKIPAGE 14i LED Page Printer



SERVICE MANUAL

Table of Contents	Page
Service Manual for OKIPAGE 14i	
0 Introduction	
Introduction	1
1 Specifications	
1.1 System Configuration	2
1.2 Printer Configuration	3
1.3 Optional Configuration	4
1.4 Specification	5
1.5 Safety Standards	6
....1.5.1 Certification Label	7
....1.5.2 Warning Label	8
....1.5.3 Warning/Caution Marking	9
2 Operation	
Operation Description	10
2.1 Main Control Board	11
2.2 Power Supply/Sensor Board	12
2.3 Electrophotographic Process	13
....2.3.1 Electrophotographic Process Mechanism	14
....2.3.2 Electrophotographic Process	15
....2.3.3 Process Operation Descriptions	16
....2.3.4 Revision of LED Head Illumination	17
2.4 Paper Jam Detection	18
2.5 Cover Open	19
2.6 Toner Low Detection	20
3 Disassembly	
3.1 Precautions for Parts Replacement	21
3.2 Parts Layout - [Lower base unit]	22
.....[Upper cover unit]	23
.....[Base unit]	24
3.3 How to Change Parts	25
....3.3.1 Upper Cover Assy	26
....3.3.2 LED Head	28
....3.3.3 Operator Panel Assy	29
....3.3.4 Lower Base Unit	30
....3.3.5 Pulse Motor Main/Drum	31
....3.3.6 Pulse Motor (Registration)	32

Table of Contents	Page
....3.3.7 Face Up Stacker Assy	33
....3.3.8 Eject Roller Assy	34
....3.3.9 Motor Assy	35
....3.3.10 Hopping Roller Shaft Assy	36
....3.3.11 Stacker Cover Assy	37
....3.3.12 Registration Roller	38
....3.3.13 Roller Transfer Assy	39
....3.3.14 Fusing Unit	40
....3.3.15 Back-up Roller	41
....3.3.16 Sensor Plate (Inlet)	42
....3.3.17 Sensor Plate (Outlet), Sensor Wire Assy	43
....3.3.18 Manual Feed Guide Assy	44
....3.3.19 Sensor Plate (Paper Supply)	45
....3.3.20 Main Control M7E-PCB	46
....3.3.21 Power Supply/Sensor Board, High Voltage Unit and Contact Assy	47
....3.3.22 Cassette Guide L Assy	49
....3.3.23 Cassette Guide R Assy	50
....3.3.24 Spacer Bearing (L/R)	51
4 Adjustments	
4. Adjustment	52
....4.1 Maintenance Modes and Functions	53
.....4.1.1 User Maintenance Mode	54
.....4.1.2 System Maintenance Mode	55
.....4.1.3 Engine Maintenance Mode	56
.....4.1.4 EEPROM Initialization	57
....4.2 Adjustment When Replacing a Part	58
.....4.2.1 Uploading/Downloading EEPROM data	60
5 Maintenance	
5.1 Periodical Replacement Parts	61
5.2 Cleaning	62
....5.2.1 Cleaning of LED Lens Array	63
....5.2.2 Cleaning Page Function	64
6 Troubleshooting	
6.1 Troubleshooting Tips	65
6.2 Points to Check before Correcting Image Problems	66

Table of Contents	Page
6.3 Tips for Correcting Image Problems	67
6.4 Preparation for Troubleshooting	68
6.5 Troubleshooting Flow	69
....6.5.1 LCD Status Message/Problem List	70
....6.5.2 LCD Message Troubleshooting	71
.....(1) The printer does not work normally after the power is turned on.	72
.....(2) [JAM error]	73
.....Paper input jam	74
.....Paper feed jam	75
.....Paper exit jam	76
.....(3) Paper size error	77
.....(4) Fusing unit error (ERROR 71) (ERROR 72) (ERROR 73)	78
.....(5) SSIO error (ERROR 74)	79
.....(6) Fan error (ERROR 70)	80
....6.5.3 Image Troubleshooting	81
.....(1) Images are light or blurred entirely	82
.....(2) Dark background density	83
.....(3) Blank paper is output	84
.....(4) Black vertical belts or stripes	85
.....(5) Cyclical defect	86
.....(6) Prints voids	87
.....(7) Poor fusing	88
.....(8) White Vertical belts or streaks	89
.....Figure 6-4	90
.....Figure 6-5	91
7 Wiring Diagram	
7.1 Interconnect Signal Diagram	92
7.2 PCB Layout and Connector Signal List	93
7.3 Resistance Check	94
8 Parts List	
Lower Base Unit	96
Upper Cover Unit	97
Base Unit	98
A Centronics Parallel Interface	

Table of Contents	Page
Centronics Parallel Interface	99
B Universal Serial Bus (USB)	
Universal Serial Bus (USB)	
C Loop Test (RS-232C Interface)	
Loop Test (RS-232C Interface)	100
D Diagnostics Test	
1. Maintenance Modes	101
....1.1 User Maintenance Mode	102
....1.2 System Maintenance Mode	103
....1.3 Engine Maintenance Mode	104
....1.4 User Factory Set Operation	105
Product Accessory 1: RS-232C Serial Interface (Option)	
RS-232C Serial Interface (Option)	106
Product Accessory 2: Multi-Purpose Feeder Maintenance	
1. PREFACE	107
....1.1 Functions	108
....1.2 External View and Component Names	109
2. MECHANISM DESCRIPTION - General Mechanism	110
....2.2 Hopper Mechanism	111
3. PARTS REPLACEMENT	112
....3.1 Precautions Concerning Parts Replacement	113
....3.2 Parts Layout	114
....3.3 Parts Replacement Methods	115
.....3.3.1 Link	116
.....3.3.2 Separator	117
.....3.3.3 OLEV-11 PCB	118
.....3.3.4 Pulse Motor	119
.....3.3.5 Planet Gear	120
.....3.3.6 Roller-A and B	121
4. TROUBLESHOOTING - Precautions Prior to the Troubleshooting	122
....4.1 Precautions Prior to the Troubleshooting	122
....4.2 Preparations for the Troubleshooting	123
....4.3 Troubleshooting Method	124
.....4.3.1 LCD Status Message List	125
5. CONNECTION DIAGRAM	126

Table of Contents	Page
....5.1 Interconnection Diagram	126
....5.2 PCB Layout	127
6. PARTS LIST	128
Product Accessory 3: High Capacity 2nd Paper Feeder	
High Capacity Second Paper Feeder Maintenance	129
1. OUTLINE	130
....1.1 Functions	130
....1.2 External View and Component Names	131
2. MECHANISM DESCRIPTION - General Mechanism	132
....2.1 General Mechanism	132
....2.2 Hopper Mechanism	133
3. PARTS REPLACEMENT	134
....3.1 Precautions Concerning Parts Replacement	135
....3.2 Parts Layout	136
....3.3 Parts Replacement Methods	137
.....3.3.1 Stepping Motor (Hopping)	138
.....3.3.2 TQSB-2 PCB	139
.....3.3.3 Hopping Roller Shaft Assembly and One-way Clutch Gear	140
4. TROUBLESHOOTING - Precautions Prior to the Troubleshooting	141
....4.1 Precautions Prior to the Troubleshooting	141
....4.2 Preparations for the Troubleshooting	142
....4.3 Troubleshooting Method	143
.....4.3.1 LCD Status Message List	144
5. CONNECTION DIAGRAM	145
....5.1 Interconnection Diagram	146
....5.2 PCB Layout	147
6. PARTS LIST	148
....High Capacity Second Paper Feeder	148
....SECTION 1 CABINET & CASSETTE ASSEMBLY	150
....SECTION 2 MECHANICAL ASSEMBLY	151
....2nd Tray Parts List	152
Product Accessory 4: Network Interface (option)	
Network Interface (option)	
....1) Connector	

Table of Contents**Page**

....2) Cable	
....3) Signal	
....4) Appearance	
....5) Physical dimensions	
....6) List of protocols	
....7) TCP/IP	
....8) Netware	
....9) EtherTalk	
....10) NetBEUI	
....11) OKI Original Port	
....12) Others	
....13) Setup	
....14) TROUBLESHOOTING	

Introduction

This Service Handbook describes the field maintenance methods for OKIPAGE 14i Digital LED Printer. This manual is written for use by the maintenance personnel. Please note that you should refer to the Printer Handbook and Printer Setup for the handling and operating methods of the equipment.

1.1 System Configuration

OKIPAGE 14i consists of control and engine blocks in the standard configuration, as shown in Figure 1-1.

In addition, the options marked with asterisk (*) are available.

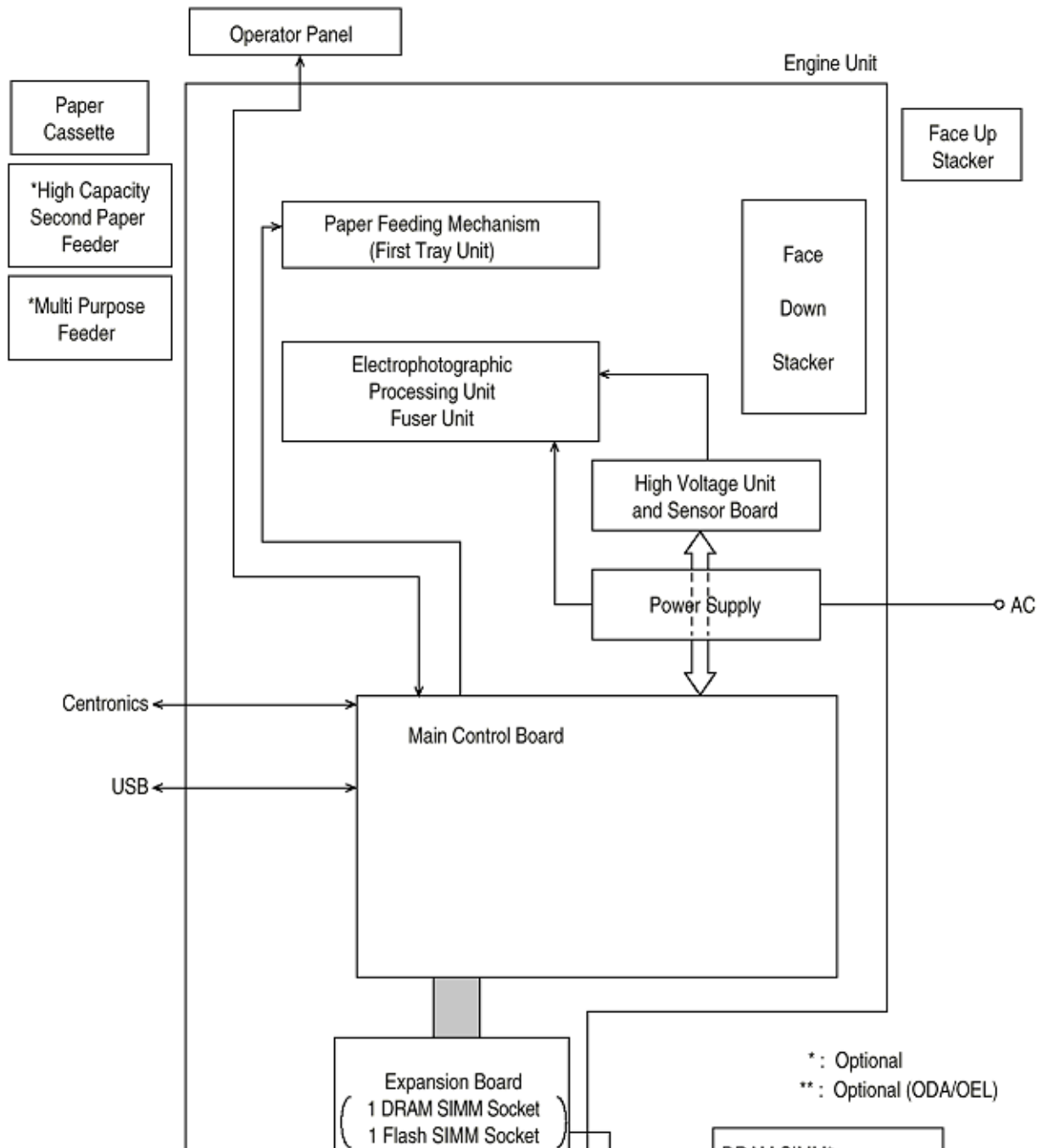


Figure 1-1

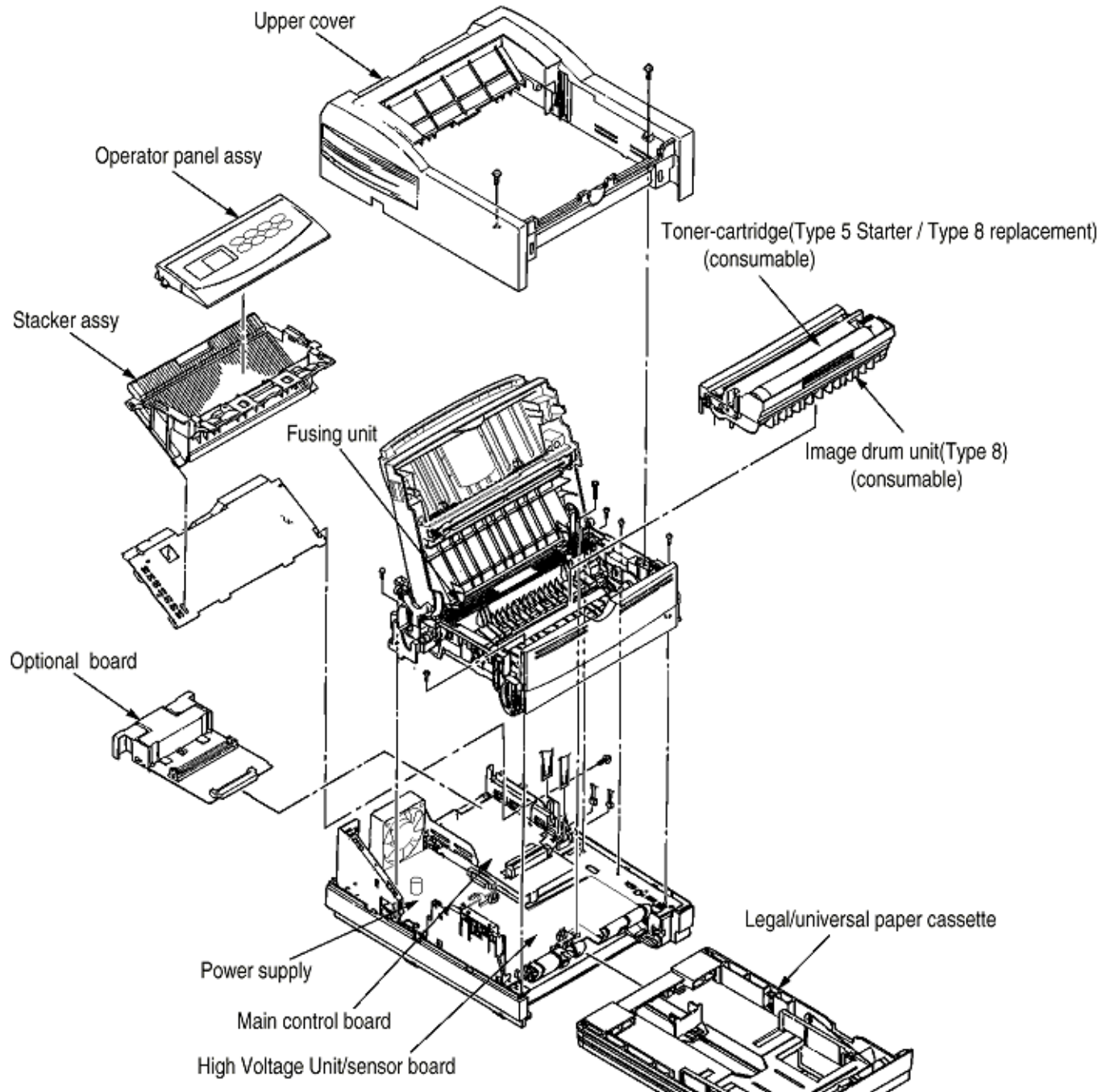
Copyright 2000, Oki Data, Division of OKI America, Inc. All rights reserved. See the Oki Data Business Partner Exchange (BPX) for any updates to this material. (<http://bpx.okidata.com>)

1.2 Printer Configuration

The printer unit consists of the following hardware components:

- Electrophotographic Processor
- Paper Feeder
- Controller
- Operator Panel
- Power Supply Unit

The printer unit configuration is shown in Figure 1-2.

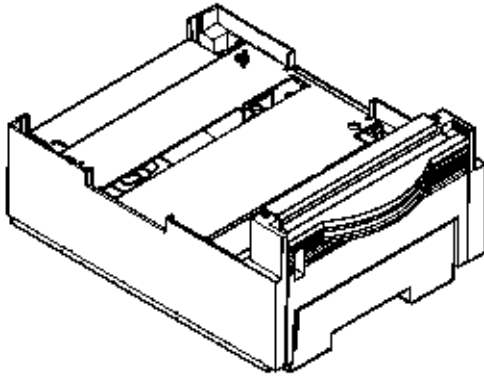


Copyright 2000, Oki Data, Division of OKI America, Inc. All rights reserved. See the Oki Data Business Partner Exchange (BPX) for any updates to this material. (<http://bpx.okidata.com>)

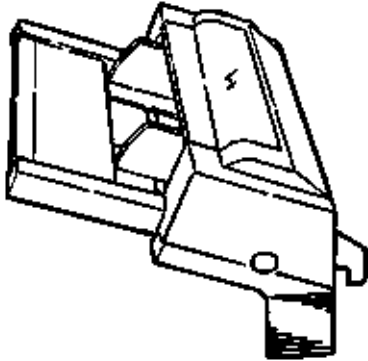
1.3 Optional Configuration

The options shown below are available for use with OKIPAGE 14i. These are available separately from the printer unit.

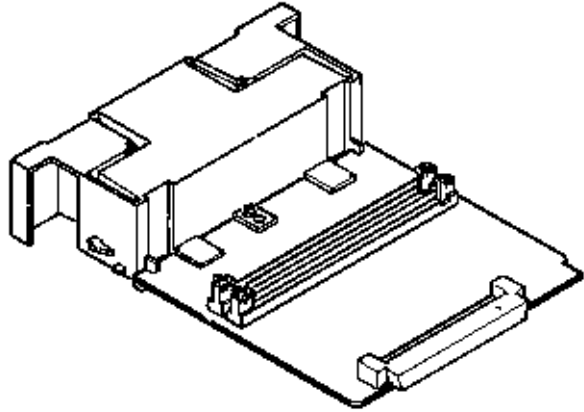
(1) High Capacity Second Paper Feeder



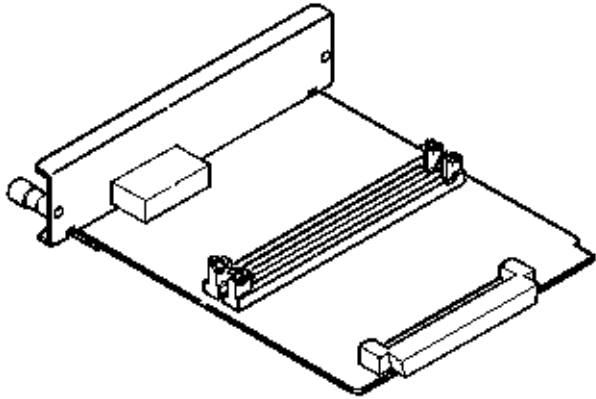
(2) Multi-Purpose Feeder



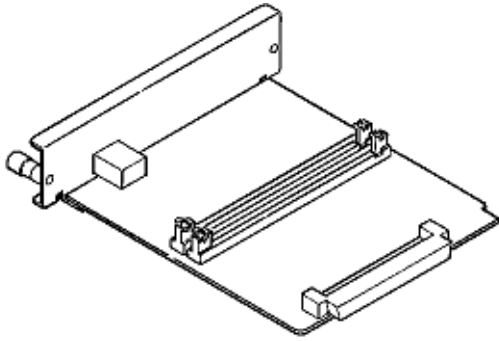
(3) Expansion Board



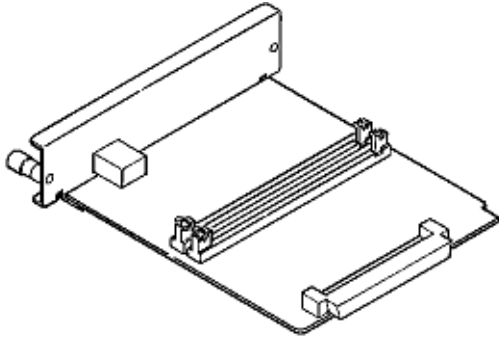
(4) RS-232C Serial Interface Board



(5) Network Interface Board (10 Base)

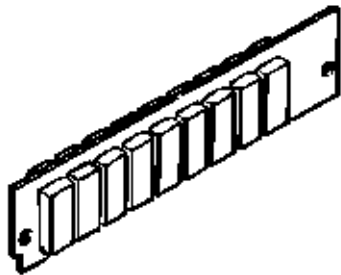


(6) Network Interface Board (10/100 Base)

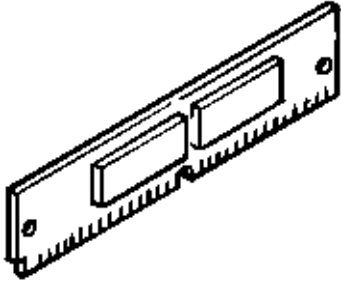


(7) DRAM SIMM Memory

DRAM SIMM memory is available with memory of 1 MB (min.) to 32 MB (max.). The access time of SIMM memories are 60ns, 70ns, 80ns, and 100ns.



(8) Flash memory SIMM



Copyright 2000, Oki Data, Division of OKI America, Inc. All rights reserved. See the Oki Data Business Partner Exchange (BPX) for any updates to this material. (<http://bpx.okidata.com>)

1.4 Specification

- | | | |
|-----|---------------------------------------|---|
| (1) | Type: | Desktop |
| (2) | Outside dimensions | Height: 8.5" (215 mm)
Width 13.6" (345 mm)
Depth 15.7" (400mm) |
| (3) | Weight | 19.8 lbs. |
| (4) | Development method
Exposure method | Dry electrophotography LED stationary head |
| (5) | Paper used | <Type> <ul style="list-style-type: none">● Standard paper<ul style="list-style-type: none">- Xerox 4200 (20 lbs)● Application paper (manual face-up feed)<ul style="list-style-type: none">- Label- Envelope- OHP paper (Transparency)
<Size> <ul style="list-style-type: none">● Standard<ul style="list-style-type: none">LetterLegal * [*Without Mutli-Purpose Feeder (Option)]Legal-13*Executive-COM-10** [**manual feed and Multi-Purpose Feeder (Option) only]Monarch**DL**C5**B5 (JIS)A6● Applicable sizes |

- Width: 3.4" x 8.5" (86 to 216 mm)
- Length: 5.5" to 14" (140 to 355.6 mm)

<Thickness>

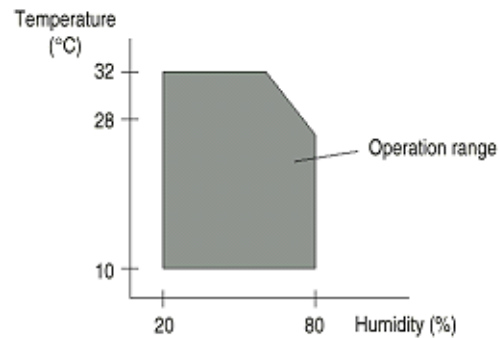
- Automatic feed: 16 to 28 lbs (60 to 135 g/m²)
- Manual feed: Label, OHP paper (transparency), Envelope (24 to 28 lbs.)

- (6) Printing speed: First print: 14 seconds typical for the Letter size paper.
[Except Multi-Purpose Feeder (11ppm)]
Warm-up time: 45 seconds typical at room temperature [68° F (20° C), AC 120/230 V].(120 VAC for ODA, 230 VAC for OEL/INT)
First page print time: 7.5 seconds typical for the Letter size paper after warm-up.
- (7) Paper feeding method Automatic paper feed or manual paper feed
- (8) Paper delivery method Face down/face up
- (9) Resolution 600 dpi x 600 dpi (true)
600 x 1200 dots/inch graphics
- (10) Power input 120 VAC + 5.5%, -15%
230 VAC +/- 10%
- (11) Power consumption Peak: Approx. 600W
Typical operation: Approx. 340W
Idle: Approx. 75W
Power save mode: Approx. 10W
- (12) Temperature and humidity

	In operation	Power off mode	During Storage	Unit
Temperature	50-90 (10-32)	32-110 (0-43)	14-110 (-10-43)	°F °C
Humidity	20-80	10-90	10-90	%RH
Maximum wet bulb	77	80.4	-----	

temperature	(25)	(26.8)		°F °C
Minimum difference between wet and dry bulb temperatures	35.6 (2)	35.6 (2)	----	°F °C

- Storage conditions specified above apply to printers in packed condition.
- Temperature and humidity must be in the range where no condensation occurs.



(13) Noise

During operation: 53 dB (A) or less
Standby: 38 dB (A) or less
Quite mode: Back ground level

(14) Consumables

Toner cartridge kit - 2,000 (Type 5) (5% duty)
Toner cartridge option - 4,000 (Type 8) (5% duty)
Image drum cartridge - 20,000 (at continuous printing);
14,000
(3 page/job) without Power Save

1.5 Safety Standards

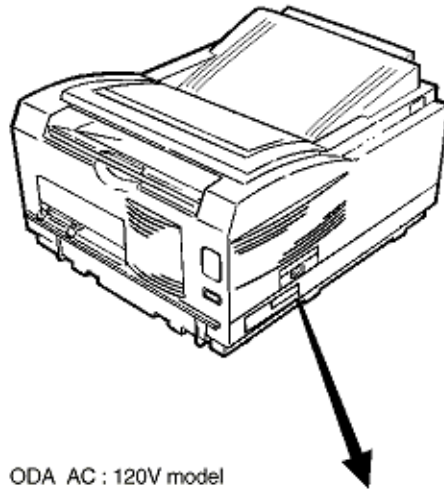
1.5.1 Certification Label

1.5.2 Warning Label

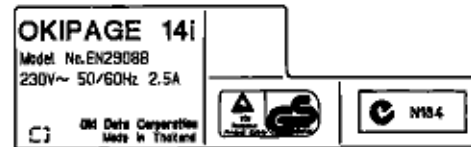
1.5.3 Warning/Caution Marking

1.5.1 Certification Label

The safety certification label is affixed to the printer in the position described below.



INT AC : 230V model



ODA AC : 120V model



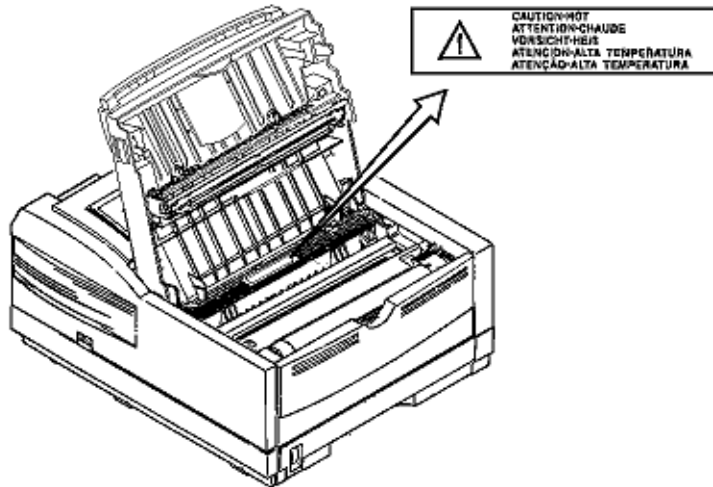
ODA AC : 230V model



1.5.2 Warning Label

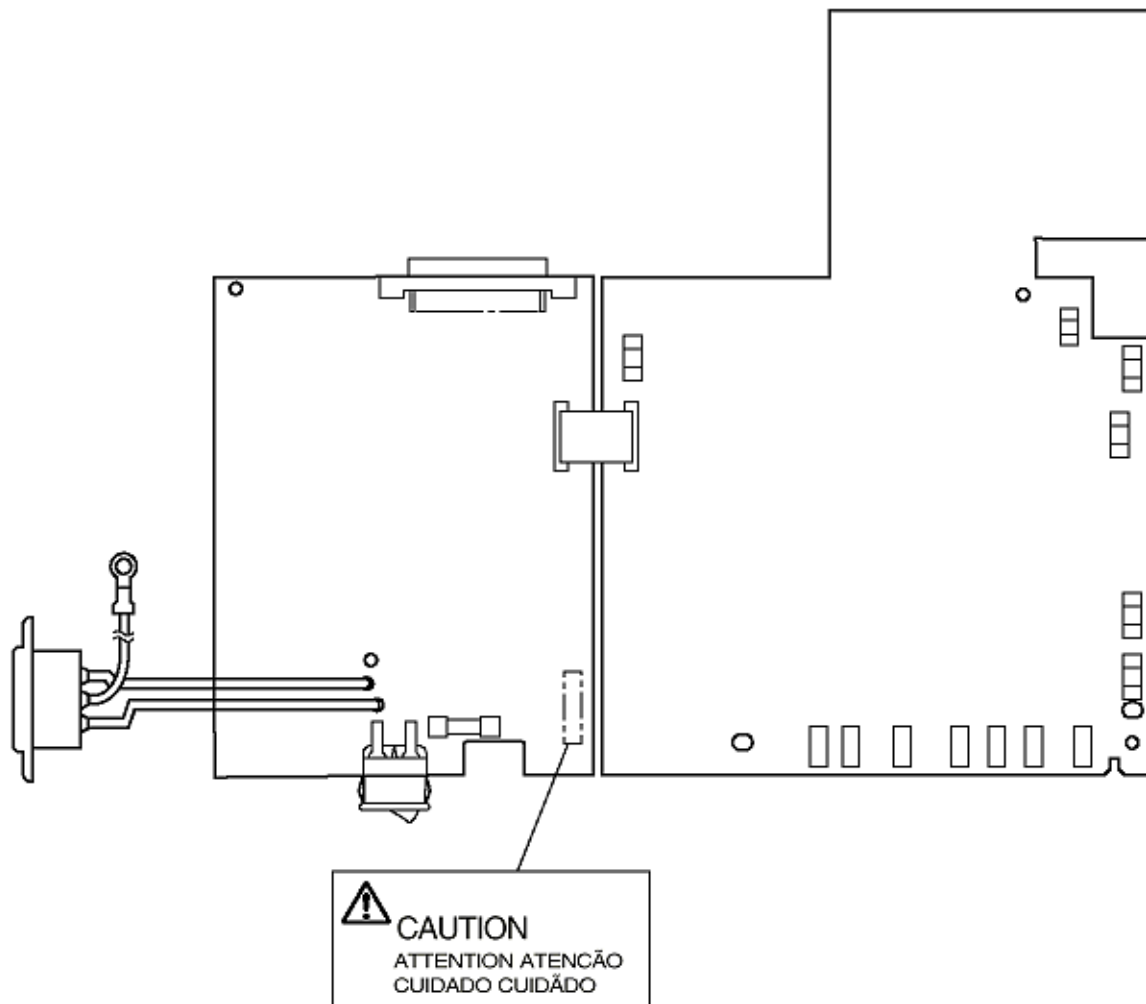
The warning labels are affixed to the sections which may cause bodily injury.

Follow the instructions on warning labels during maintenance.



1.5.3 Warning/Caution Marking

The following warning and caution markings are made on the power supply/sensor board.



* No fuse is mounted here for 200V series.

ENGLISH - Heatsink and transformer core present risk of electric shock. Test before touching.

FRENCH - Le dissipateur thermique et le noyau du transformateur présentent des risques de choc électrique. Testez avant de manipuler.

SPANISH - Las disipadores de calor y el núcleo del transformador pueden producir un choque eléctrico. Compruebe antes de tocar.

PORTUGUESE - O dissipador de calor e o núcleo do transformador apresentam risco de choque elétrico. Teste antes de focar.

ENGLISH - Circuits maybe live after fuses open.

FRENCH - Il se peut que les circuits soient sous tension une fois que les fusibles ont été retirés.

SPANISH - Las circuitos pueden estar activos una vez que se hayan abierto los fusibles.

PORTUGUESE - Os circuitos podem estar energizados após os fusíveis se queimarem.

Copyright 2000, Oki Data, Division of OKI America, Inc. All rights reserved. See the Oki Data Business Partner Exchange (BPX) for any updates to this material. (<http://bpx.okidata.com>)

Operation Description

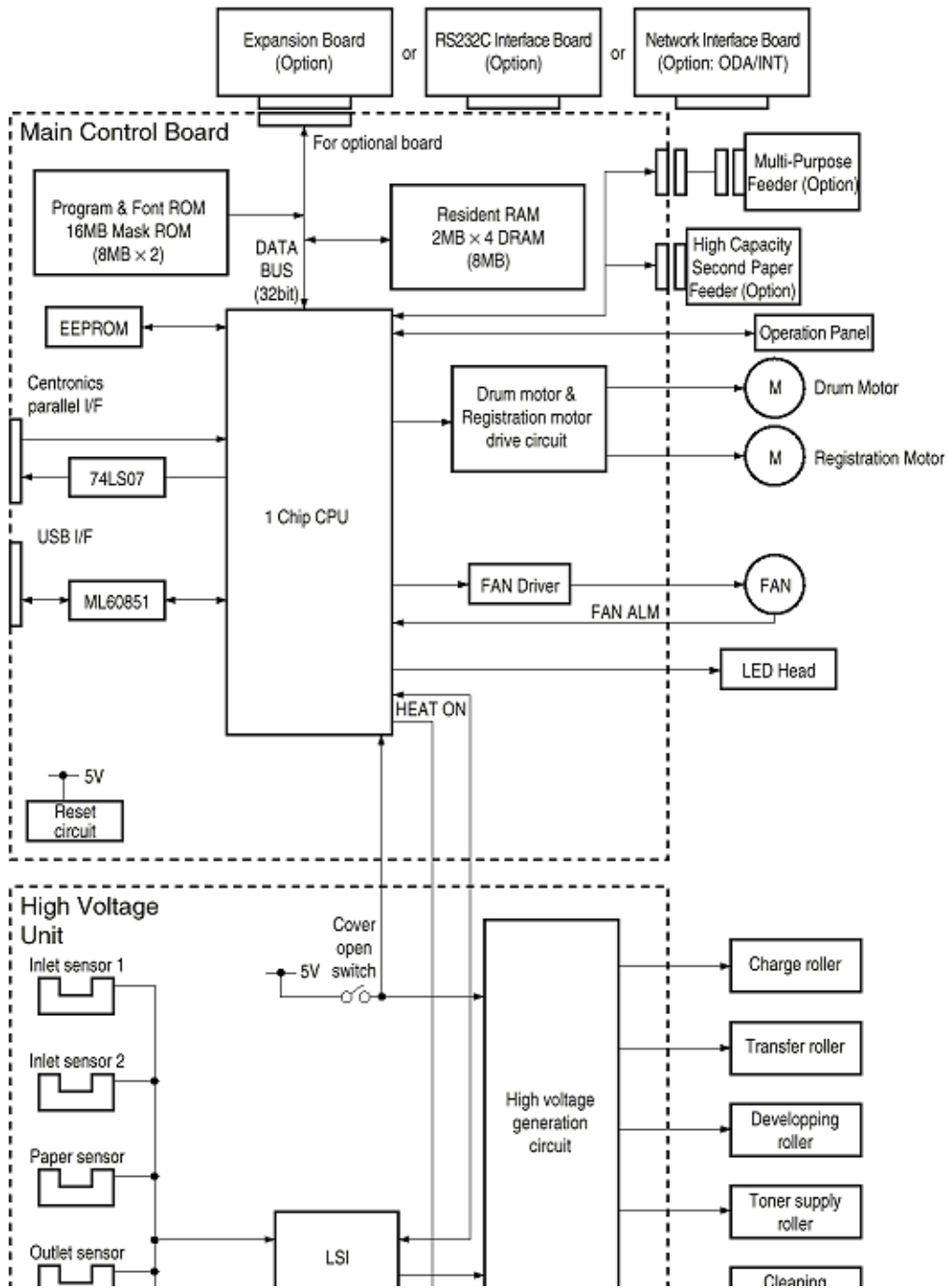
OKIPAGE 14i consists of a main control board, a power supply/sensor board, an operator panel, an electrophotographic process mechanism, and revision for illumination of LED head.

The main control board receives data via the host I/F, it then decodes, edits and stores the data in memory. After completing the editing of a single page of data, it references the font memory and generates bit image data, which is transferred to the LED head in one dot line units.

Through the electrophotographic process mechanism, the data is printed on the paper.

The operator panel is used for operations and status display.

OKIPAGE 14i block diagram is shown in Figure 2-1.



Copyright 2000, Oki Data, Division of OKI America, Inc. All rights reserved. See the Oki Data Business Partner Exchange (BPX) for any updates to this material. (<http://bpx.okidata.com>)

2.1 Main Control Board

The main control board consists of a single chip CPU, two program/font ROMs, four DRAMs, an EEPROM, a host interface circuit, and a mechanism driving circuit.

(1) Single chip CPU

The single chip CPU is a custom CPU (32-bit internal bus, 32-bit external bus, 32-bit external bus, 49.766-MHz clock, which incorporates the RISC CPU and its peripheral devices, and has the following functions:

(2) Program and Font ROMs

Built-in Device	Function
Chip select controller Bus controller DRAM controller	Control of ROM, DRAM and I/O device.
DMA controller	Transfer of image data from DRAM to video output port.
Parallel interface controller	Control of Centronics parallel interface.
Serial interface controller	Control of RS-232C serial interface.
Video output port LED STB output port	Controls LED head.
Timer	Generation of various control timing Monitoring of paper running and paper size.
Serial I/O port	Control of operator panel, EEPROM, and options.
I/O Port	Input and output of sensor and motor signals.

The Program and Font ROMs store the equipment program and various types of fonts. Mask ROM is used as Program and Font ROMs. The mounting locations of these Program and Font ROMs vary depending on the type of the ROMs.

(3) DRAM

The DRAM is a 8MB resident memory on the main control board that stores edited data, image data, DLL data and macro data.

(4) EEPROM

16k-bit Electrically Erasable PROM (EEPROM), is loaded with the following kinds of data:

- Menu data
- Various counter data (page counter, drum counter)
- Adjusting parameters (LED head drive time, print start position, paper feed length)

(5) Parallel Interface

Parallel data is received from a host system via parallel interface which conforms to the IEEE 1284 specification.

(6) USB Interface

Serial data is received from a host system via USB which conforms to the USB 1.1 specification

Copyright 2000, Oki Data, Division of OKI America, Inc. All rights reserved. See the Oki Data Business Partner Exchange (BPX) for any updates to this material. (<http://bpx.okidata.com>)

2.2 Power Supply/Sensor Board

The power supply/sensor board consists of an AC filter circuit, a low voltage power supply circuit, a high voltage power supply circuit, heater drive circuit, and photosensors.

(1) Low Voltage Power Supply Circuit

This circuit generates the following voltages.

Output voltage	Application
+5 V	Logic circuit supply voltage.
+30 V	Motor and fan drive voltage and source voltage for high-voltage supply.
+ 12 V	Source voltage for high-voltage supply
+ 3.3 V	LED head supply voltage

(2) High Voltage Power Supply Circuit

This circuit generates the following voltages required for electrophotographic process from +5 V, according to the control sequence from the main control board. When cover open state is detected, +5 V supply is interrupted automatically to stop the supply of all high-voltage outputs.

Output	Voltage	Application
CH	-1.3 KV	Voltage to be applied to charge roller.
DB	-265 V/+300 V	Voltage to be applied to a developing roller.
SB	-500 V/ 0 V	Voltage to be applied to a sponge roller.
TR	+500 V to +3.5 KV/-1100 V	Voltage to be applied to a transfer roller. (Variable)
CB	+400 V/+3.5 KV	Voltage to be applied to a cleaning roller.

(3) Photosensor

The photosensor mounted on this power supply/sensor board monitors the status of paper being fed through the printer during printing.

The sensor layout diagram is shown in Figure 2-2 below.

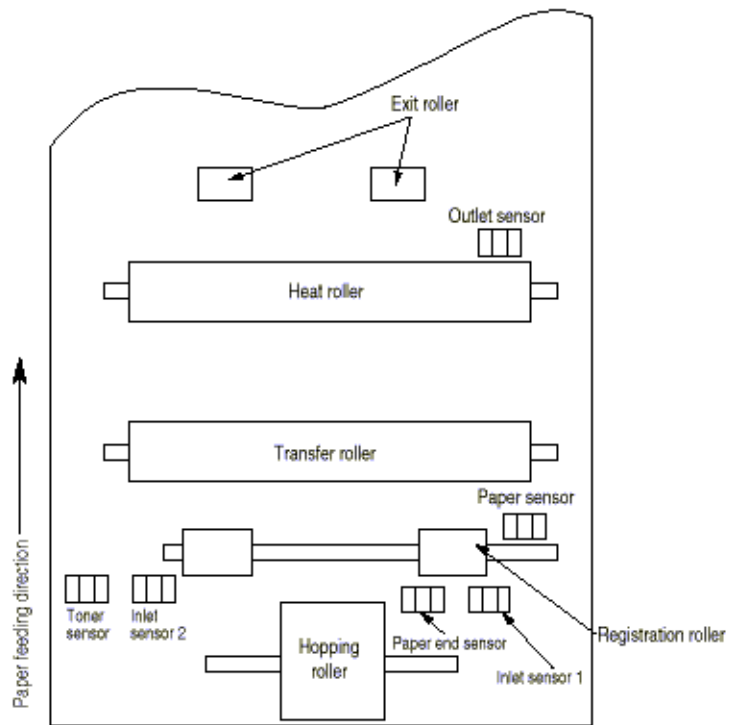


Figure 2-2

Sensor	Function	Sensing State
Inlet sensor 1	Detects the leading part of the paper and gives the monitor timing for switching from hopping operation to feeding operation. Monitors paper feeding situation and paper size based on the paper arrival time and running time.	ON: Paper exists. OFF: No paper exists.
Inlet sensor 2	Detects the paper width.	ON: A4 or larger. OFF: Smaller than A4.
Paper sensor	Detects the leading portion of the paper. Monitors paper feeding situation.	ON: Paper exists. OFF: No paper exists.
Output sensor	Monitors paper feeding and size according to	ON: Paper exists.

	the time of arrival to and leaving past the sensor.	OFF: No paper exists.
Paper end sensor	Detects the end of the paper.	ON: Paper exists. OFF: No paper exists.
Toner sensor	Detects the lack of toner.	-----

Copyright 2000, Oki Data, Division of OKI America, Inc. All rights reserved. See the Oki Data Business Partner Exchange (BPX) for any updates to this material. (<http://bpx.okidata.com>)

2.3 Electrophotographic Process

2.3.1 Electrophotographic Process Mechanism

2.3.2 Electrophotographic Process

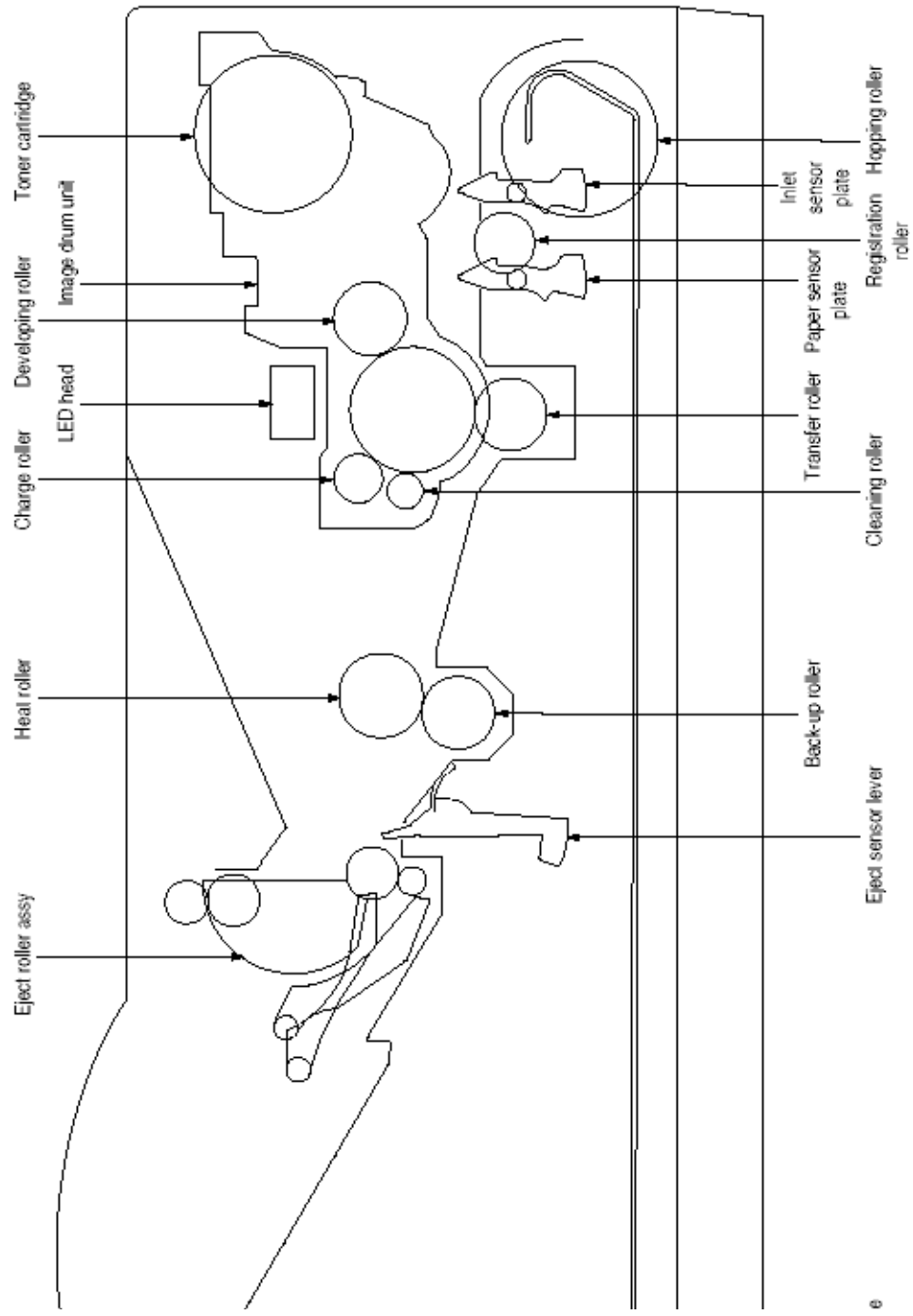
2.3.3 Process Operation Descriptions

2.3.4 Revision of LED Head Illumination

2.3.1 Electrophotographic Process Mechanism

This mechanism actuates the printing of image data supplied by the main control board on the paper by electrophotographic process.

The layout of the electrophotographic process mechanism is shown in Figure 2-3.



(1) Image Drum Unit

The image drum unit consists of a sensitive drum, a charger, and a developer. The unit forms a toner image on the sensitive drum, using a electrostatic latent image formed by the LED head.

(2) Registration Motor

The registration motor is a pulse motor of 48 steps/rotation with two-phase excitement by the signal from the main control board. It drives the hopping and registration rollers via two one-way clutches according to the direction of rotation.

(3) Main (Drum) Motor

The main or drum motor is a pulse motor of 48 steps/rotation with two-phase excitement by the signal from the main control board and is the main motor of this mechanism.

(4) LED Head

Image data for each dot line from the main control board is received by the shift register and latch register. The 4992 LED's are driven to radiate the image data on the image drum.

(5) Fuser

The fuser consists of a heater, a heat roller, a thermistor and a thermostat.

The AC voltage from the power supply/sensor board is applied to the heater controlled by the HEATON signal from the main control board. This AC voltage heats the heater. The main control board monitors the heat roller temperature via the thermistor, and regulates the heater roller to keep it at a designated temperature in the menu, depending on the thickness of the paper (tray 1&2: light=165°C, medium light=170°C, medium=175°C, medium heavy and heavy=195°C; manual feeding and power envelope feeder: light=175°C, medium light=180°C, medium=185°C, medium heavy=190°C, heavy=195°C, transparency = 160°C) by connecting or disconnecting the AC voltage supply to the heater.

When an abnormal rise of the heater roller temperature takes place, the thermostat of the heater voltage supply circuit becomes active and forcibly cuts the AC voltage supply.

The temperature setting of the fuser can be changed through operator panel setting.

2.3.2 Electrophotographic Process

The electrophotographic processing is outlined below. The electrophotographic printing process is shown in Figure 2-4 (see below).

1 Charging

The surface of the image drum is charged uniformly with a negative charge by applying the negative voltage to the charge roller.

2 Exposure

Light emitted from the LED head irradiates the negatively charged surface of the image drum. The surface potential of the irradiated portion of the image drum surface becomes lower, forming the electrostatic latent image associated with the print image.

3 Developing and toner recovery

When the negatively charged toner is brought into contact with the image drum, it is attracted to the electrostatic latent image by static electricity, making the image visible. At the same time, the residual toner on the image drum is attracted to the developing roller by static electricity.

4 Transfer

When paper is placed over the image drum surface, the positive charge which is opposite in polarity to that of the toner, is applied to the reverse side of the paper by the transfer roller. The toner is attracted by the positive charge and is transferred onto the paper. This results in the transfer of the toner image formed on the image drum onto the paper.

5 Temporary cleaning

Residual toner which remains on the image drum without being transferred is evened out by the cleaning roller and is temporarily attracted to the cleaning roller by static electricity.

6 Fusing

The toner image transferred onto the paper is fused to the paper by heat and pressure.

An electrophotographic process timing chart is shown in Figure 2-5 (see last chart below).

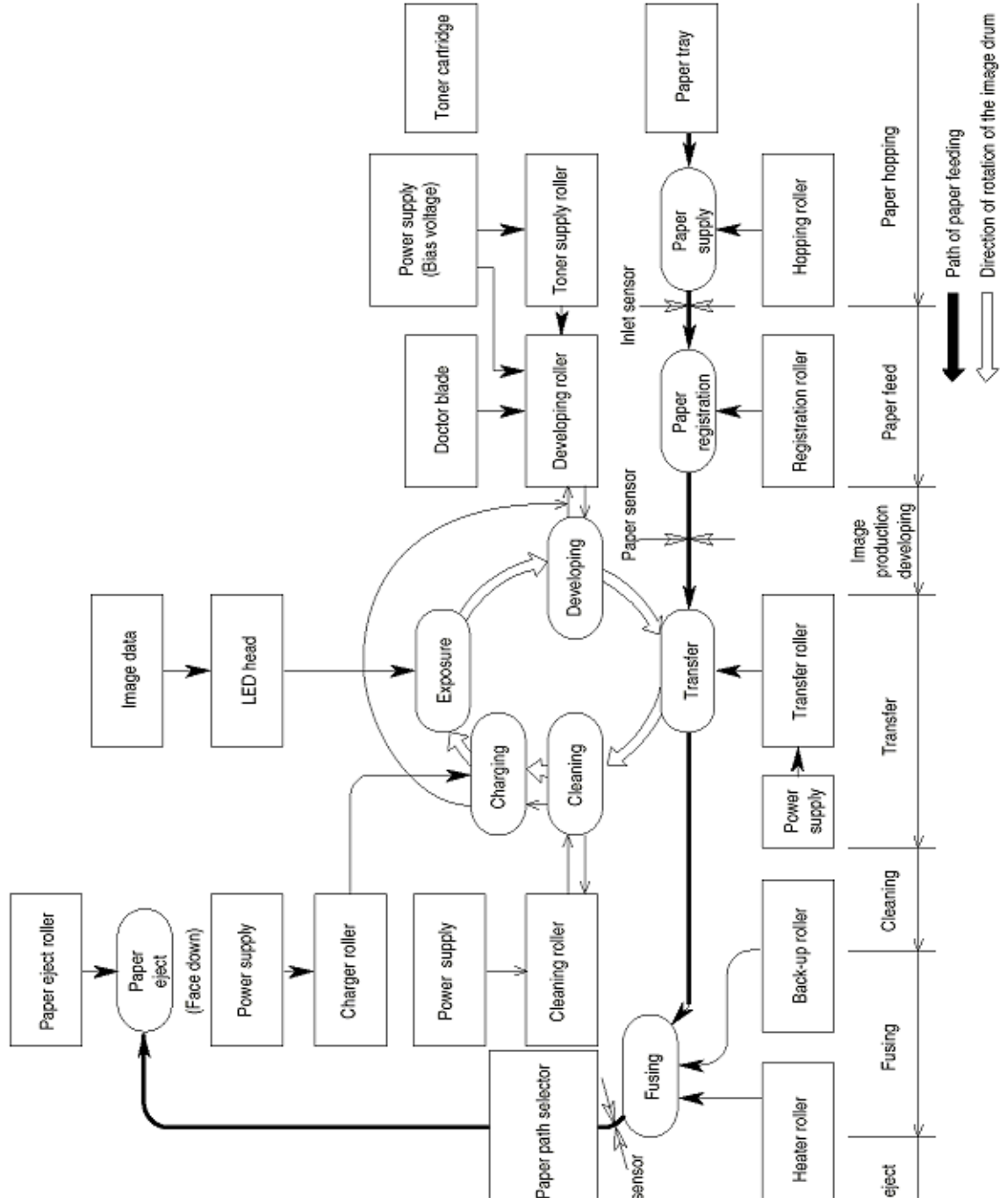


Figure 2-4

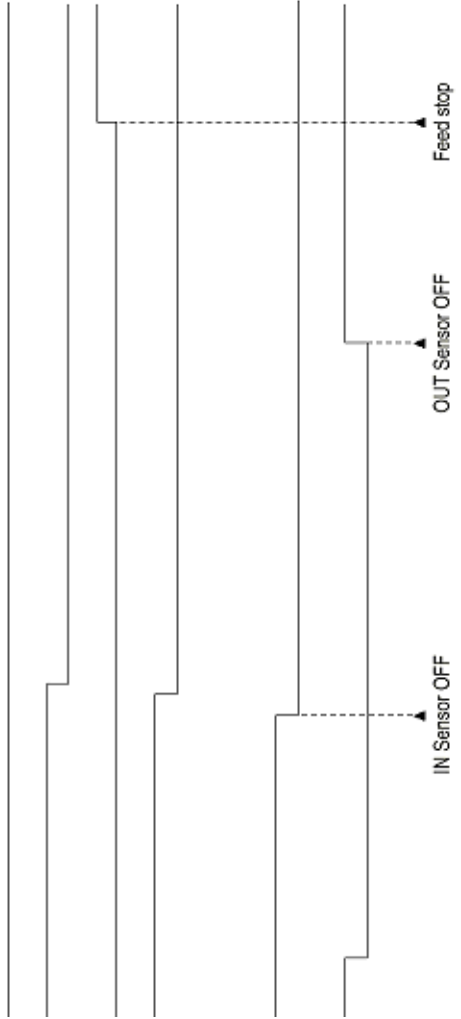


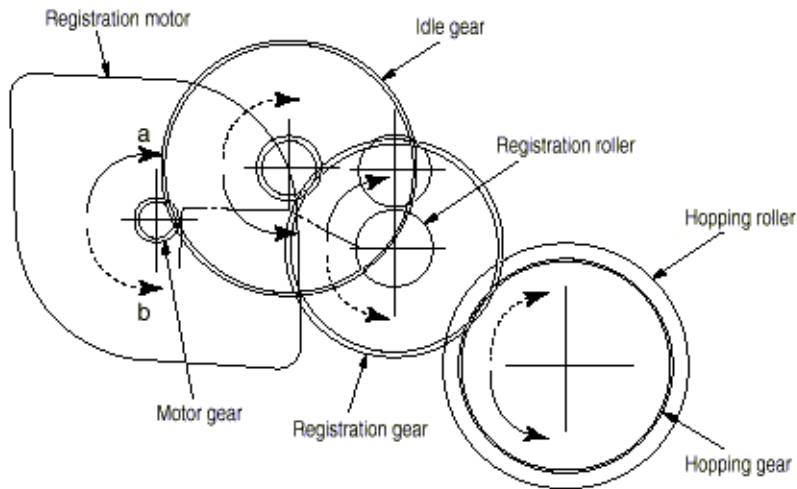
Figure 2-5

Copyright 2000, Oki Data, Division of OKI America, Inc. All rights reserved. See the Oki Data Business Partner Exchange (BPX) for any updates to this material. (<http://bpx.okidata.com>)

2.3.3 Process Operation Descriptions

(1) Hopping and Feeding

Hopping and feeding motions are actuated by a single registration motor in the mechanism as shown below:

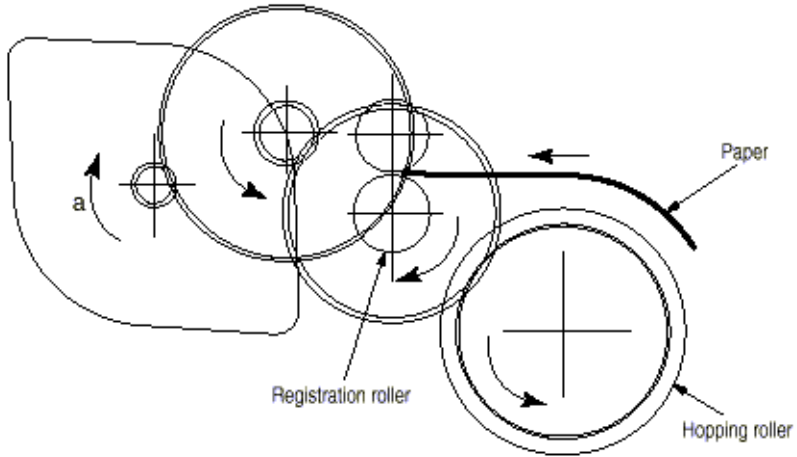


The registration motor turning in direction "a" drives the hopping roller. The registration motor turning in direction "b" drives the registration roller. The registration and hopping gears have one-way bearing, so turning any of these gears in the reverse direction will not transmit the motion to the corresponding roller.

(a) Hopping

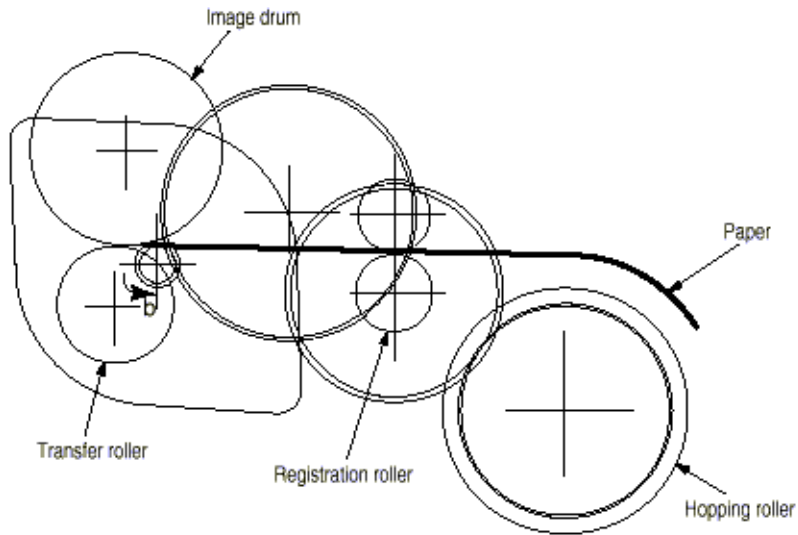
1 For hopping, the registration motor turns in direction "a" (clockwise direction) and drives the hopping roller to advance the paper until the inlet sensor turns on (in this case, the registration gear also turns, but the registration roller is prevented from turning by the one-way bearing).

2 After inlet sensor is turned on by the paper advance, the paper is further advanced to a predetermined distance until the paper hits the registration roller (the skew of the paper can thus be corrected).



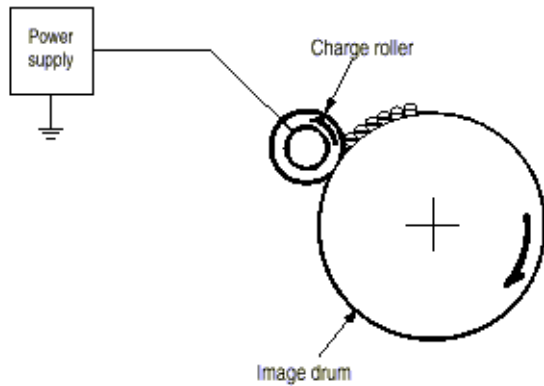
(b) Feeding

- 1 When hopping is completed, the registration motor turning in direction "a" (counter-clockwise direction) drives the registration roller to advance the paper (in this case, the hopping gear also turns, but the hopping roller is prevented from turning by the one-way bearing).
- 2 The paper is further advanced in synchronization with the print data.

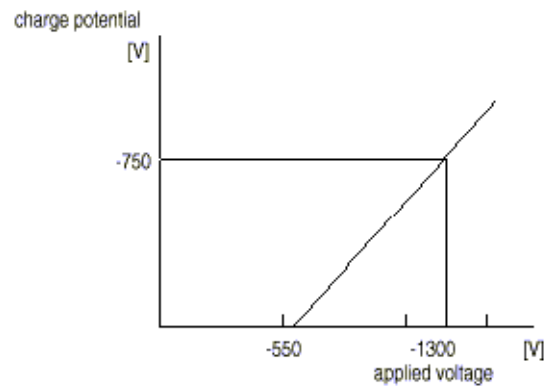


(2) Charging

Charging is actuated by the application of the DC voltage to the charge roller that is in contact with the image drum surface.



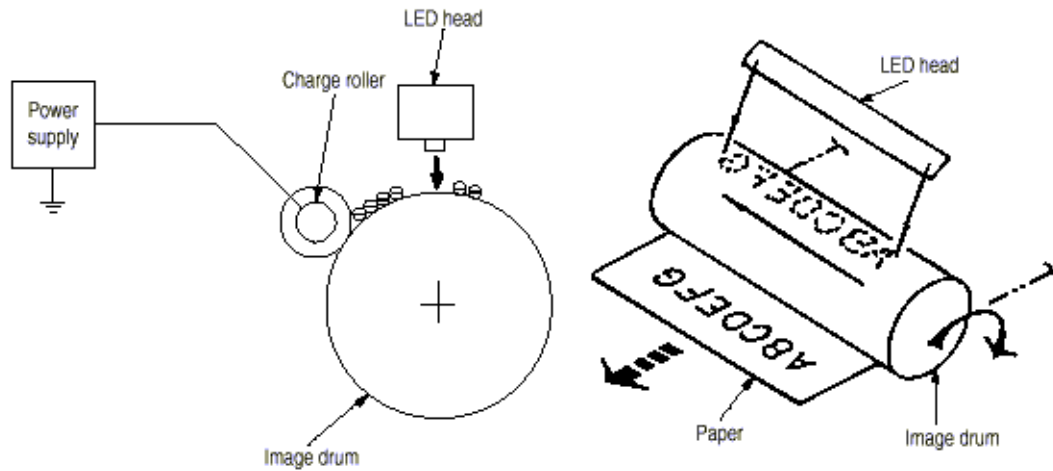
The charge roller is composed of two layers, a conductive layer and a surface protective layer, both having elasticity to secure good contact with the image drum. When the DC voltage applied by the power supply exceeds the threshold value, charging begins. The applied voltage is proportional to the charge potential, with offset of approximately -550V.



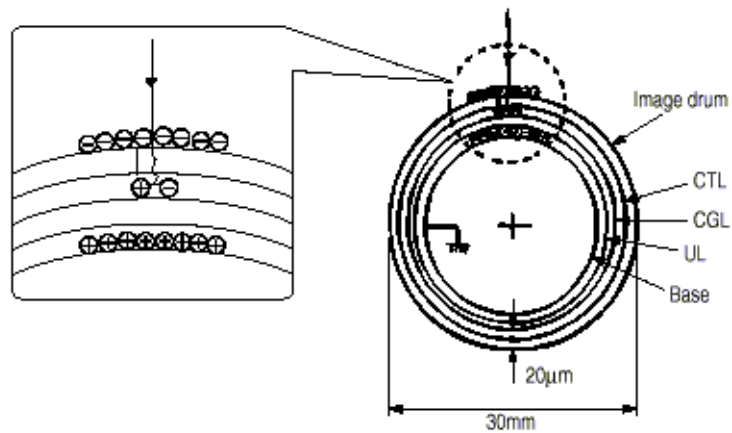
(3) Exposure

Light emitted by the LED head irradiates the image drum surface with a negative charge. The surface potential of the irradiated portion of the image drum drops,

forming an electrostatic latent image associated with the image signal.



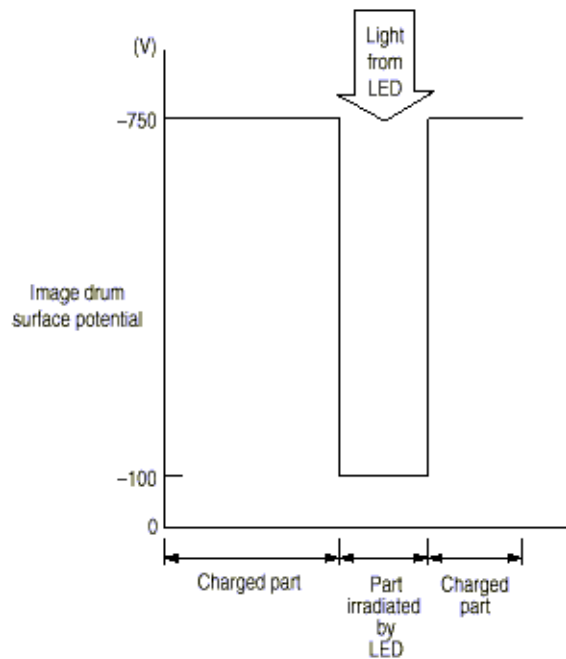
The image drum is coated with an underlayer (UL), a carrier generation layer (CGL), and carrier transfer layer (CTL) on aluminum base. The organic photoconductor layer (OPC), comprising CTL and CGL, is about 20 mm thick.



The image roller surface is charged to about -750 V by the contact charge of the charge roller.

When the light from the LED head irradiates the image drum surface, the light energy generates positive and negative carriers in the CGL. The positive carriers are moved to the CTL by an electrical field acting on the image drum. Likewise, the negative carriers flow into the aluminum layer (ground).

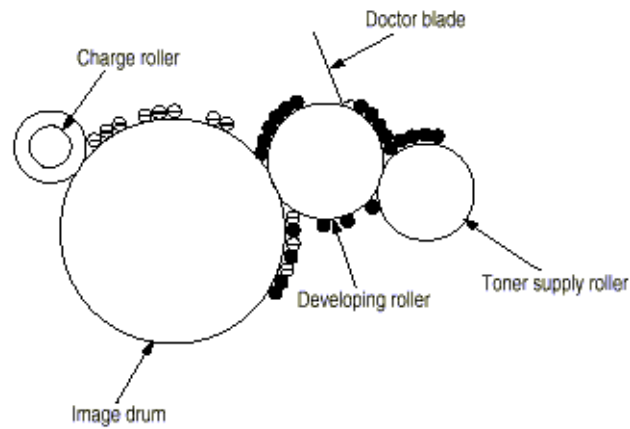
The positive carriers moved to the CTL combine with the negative charges on the image drum surface accumulated by the contact charge of the charge roller, lowering the potential on the image drum surface. The resultant drop in the potential of the irradiated portion of the image drum surface forms an electrostatic latent image on it. The irradiated portion of the image drum surface is kept to about -100 V.



(4) Developing

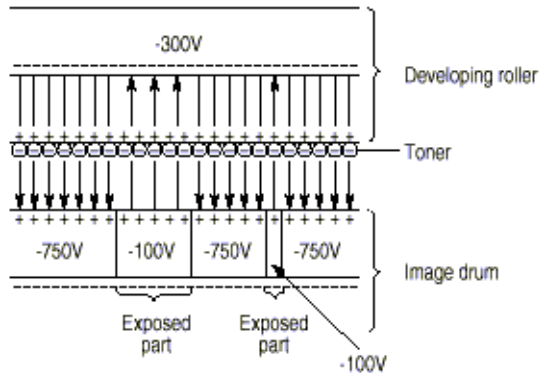
Toner is attracted to the electrostatic latent image on the image drum surface, converting it into a visible toner image. Developing takes place through the contact between the image drum and the developing roller.

1 As the toner supply roller rotates while rubbing on the developing roller, a friction charge is generated between the developing roller and the toner, allowing the toner to be attracted to the developing roller (the developing roller surface is charged positive and the toner, negative).



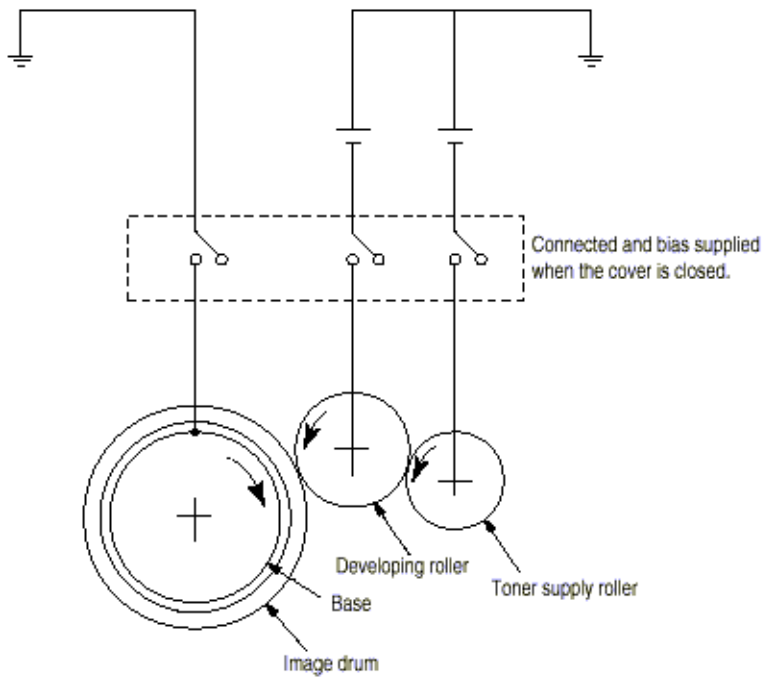
2 The toner attracted to the developing roller is scraped off by the doctor blade, forming a thin coat of toner on the developing roller surface.

3 Toner is attracted to the exposed portion (low-potential part) of the image drum at the contact of the image drum and the developing roller, making the electrostatic latent image visible.



An illustration of activities at the contact point of the image drum surface and the developing roller (arrow marks denote the direction of the electrical field).

Note: The bias voltage required during the developing process is supplied to the toner supply roller and the developing roller, as shown below. -500 VDC is supplied to the toner supply roller, -265 VDC to the developing roller.

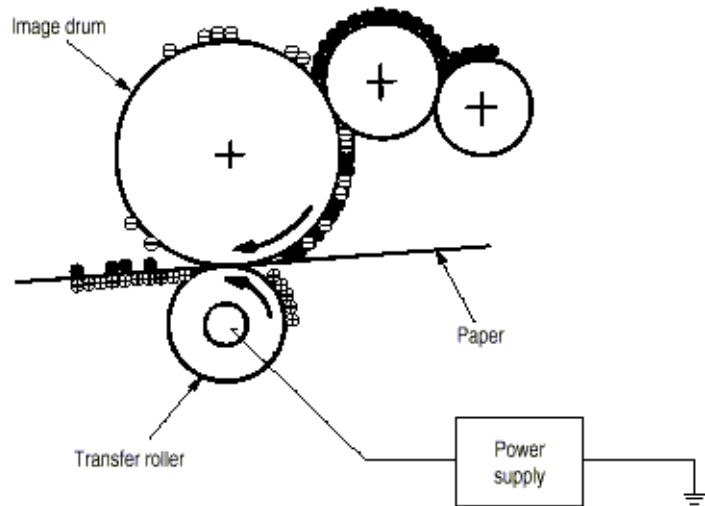


(5) Transfer

The transfer roller is composed of conductive sponge material, and is designed to get the image drum surface and the paper in a close contact.

Paper is placed over the image drum surface, and the positive charge, opposite in polarity to that of the toner, is applied to the paper from the reverse side.

The application of a high positive voltage from the power supply to the transfer roller causes the positive charge inducement on the transfer roller surface, transferring the charge to the paper as it contacts the transfer roller. The toner with negative charge is attracted to the image drum surface, and it is transferred to the upper side of the paper due to the positive charge on the reverse side of the paper.

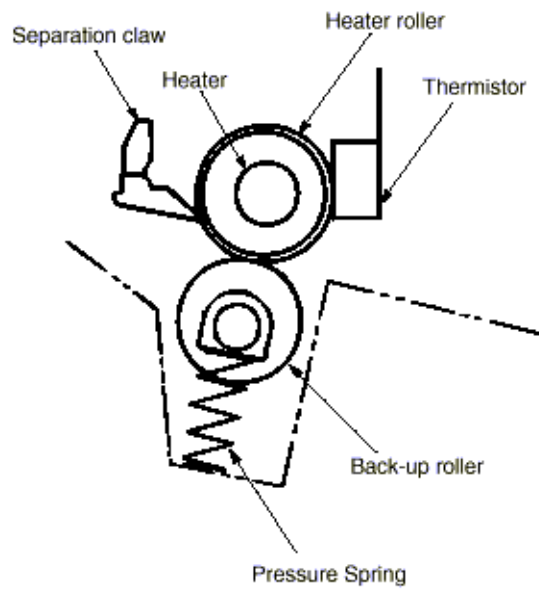


(6) Fusing

When the transfer is completed, the toner image is fused to the paper by heat and pressure as the paper with unfused toner image passes between the heater roller and the back-up roller. The heater roller with Teflon coating incorporates a 400W heater (Halogen lamp), which generates heat.

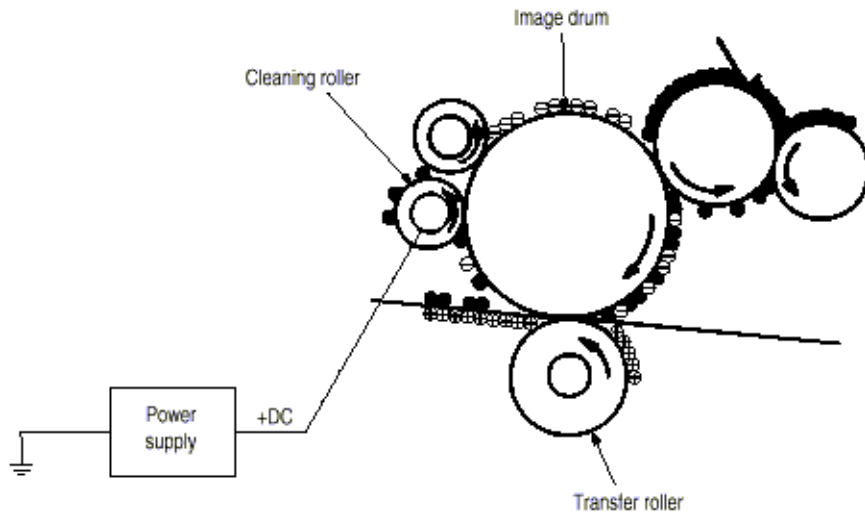
A thermistor which is in contact with the heater roller regulates the temperature of the heater roller to a designated temperature in the menu, depending on the thickness of the paper (tray 1&2: light=165°C, medium light=170°C, medium=175°C, medium heavy and heavy=195°C/manual feeding and power envelope feeder: light=175°C, medium light=180°C, medium=185°C, medium heavy=190°C, heavy=195°C, transparency = 160°C). A safety thermostat cuts voltage supply to the heater off by opening the thermostat in the event of abnormal temperature rises.

The back-up roller is held under a pressure of 3.76 kg applied by the pressure spring on each side.



(7) Cleaning

When the transfer is completed, the residual toner left on the image drum is attracted to the cleaning roller temporarily by static electricity, and the image drum surface is cleaned.



(8) Cleaning of rollers

The charge, transfer and cleaning rollers are cleaned for the following cases:

- Warming up when the power is turned on.
- Warming up after the opening and closing of the cover.
- When the number of sheets accumulated reaches 10 or more, and the printout operation ends.

Changes in bias voltage applied to each roller move the attaching toner off the roller to the image drum and return it to the developer.

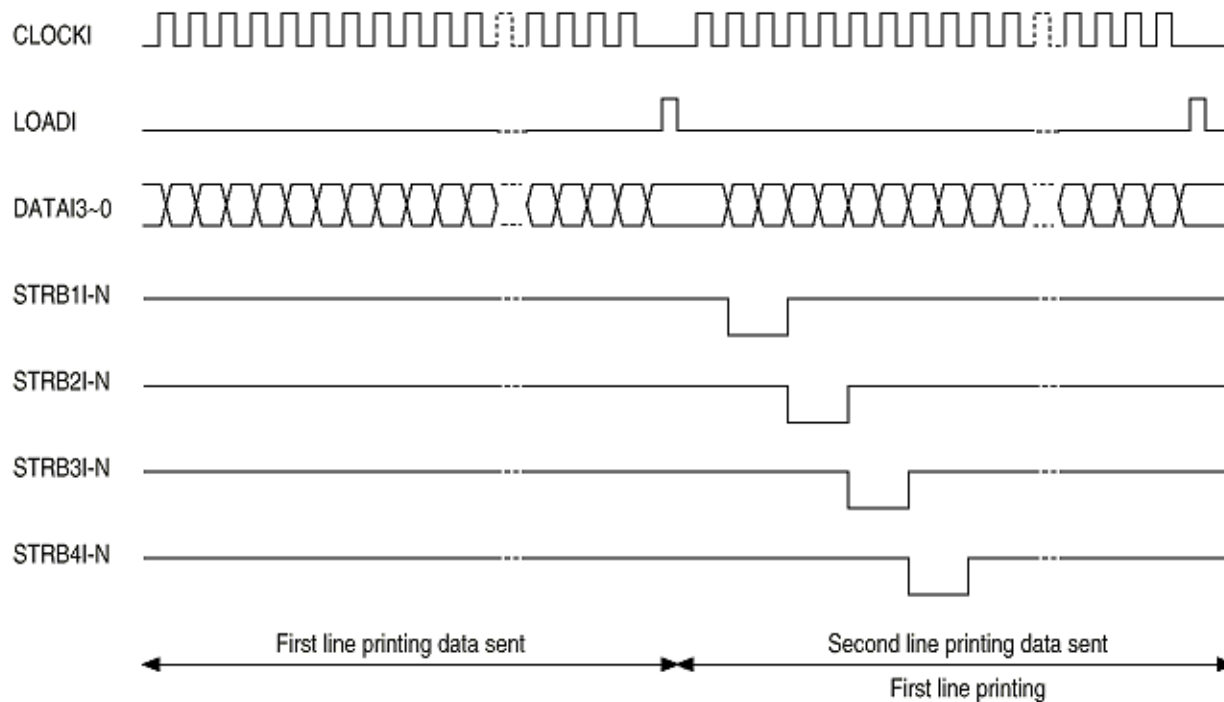
2.3.4 Revision of LED Head Illumination

An LED correcting head, which is capable of correcting the illumination of the LED for each dot, is being used in this printer. LED illumination correction function of 16 steps is carried out by using an EEPROM which is installed in the LSI that maintains the LED illumination correction values, and an LED correction drivers together as a pair.

The printing and correction data obtained from the CPU through four signal lines are sent to the LED array.

The printing operation timing chart is shown below.

Normal Mode Printing Timing Chart



The printing operation is carried out in normal mode. Under ordinary circumstances such as when the power is turned on or when LOADI signal level is low, the normal mode is enabled.

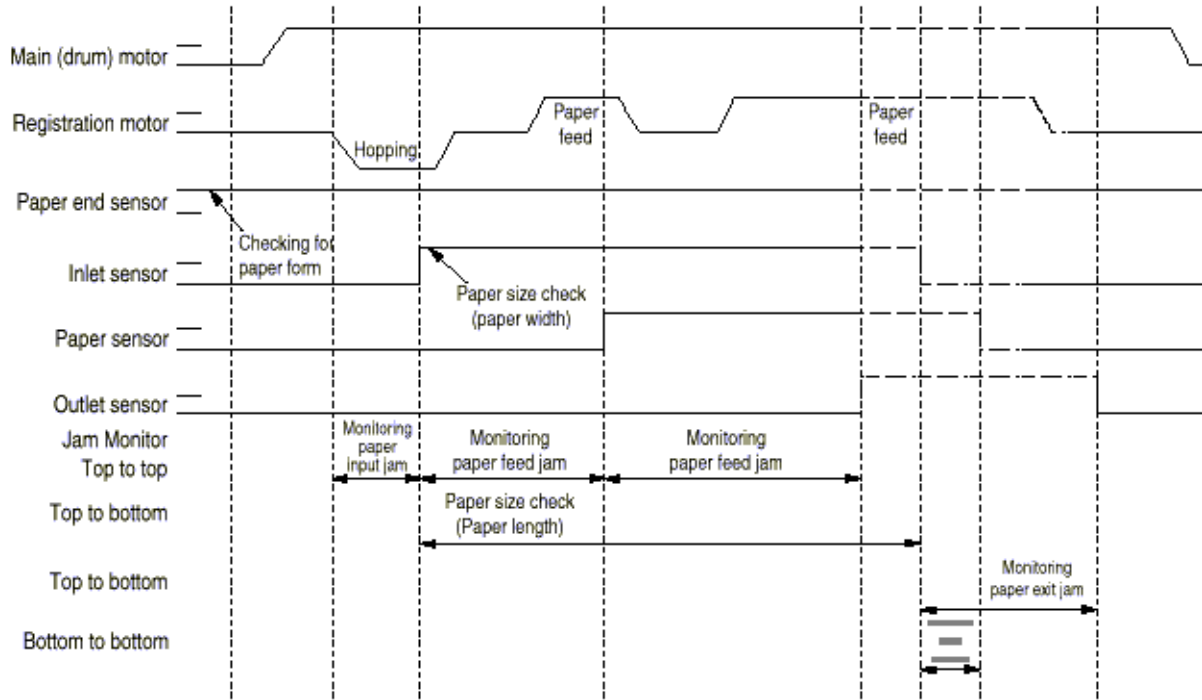
The printing operation is carried out in the following sequence. First, the printing data DATA13 through DATA10 are stored, sequentially shifted, in the shift registers of the LED drivers, by the printing data synchronous clock, CLOCK1. Then the printing data stored in shift registers are latched by the high level pulse of LOAD1. The latched printing data turns the LEDs on by STRB11-N through STRB41-N and actuates printing.

Copyright 2000, Oki Data, Division of OKI America, Inc. All rights reserved. See the Oki Data Business Partner Exchange (BPX) for any updates to this material. (<http://bpx.okidata.com>)

2.4 Paper Jam Detection

The paper jam detection function monitors the paper condition when the power is turned on and during printing. When any of the following conditions arises, this function interrupts the printing process. If any of the following errors is encountered, printing can be recovered by removing the jammed paper (by opening the upper cover, removing the jammed paper and closing the upper cover).

Error	Cause of error
Paper input jam	<ul style="list-style-type: none"> ● The paper is in contact with the inlet sensor when the power is turned on. ● After hopping operation is attempted three times, the leading edge of the paper does not reach the inlet sensor.
Paper feed jam	<ul style="list-style-type: none"> ● The paper is in contact with the paper sensor when the power is on. ● The leading edge of the paper does not reach the paper sensor within a predetermined feeding distance since the paper has reached the inlet sensor. ● The leading edge of paper does not reach the outlet sensor within a predetermined feeding distance after the paper has reached the paper sensor.
Paper exit jam	<ul style="list-style-type: none"> ● The paper is in contact with the outlet sensor when the power is turned on. ● The paper does not pass over the outlet sensor within a predetermined feeding distance after the leading edge of the paper has reached the outlet sensor. ● The paper size check for manual feeding finds that the paper size is free size.
Paper size error	<ul style="list-style-type: none"> ● The size of the paper is monitored by the inlet sensor 1. The paper is not detected by the inlet sensor 1 within predetermined feeding distance. ● The inlet sensor 2 detects that the size of the loaded paper is A4 or larger, or smaller than A4. ● The detected paper size differs from the paper size set by command or menu. ● The paper size check for manual feeding finds that the paper size is free size.



Paper Feed Timing Chart

Paper Feed Check List

Type of error	Monitor	Standard Value	Error Plus	Error Minus
Paper feed error	Hopping start to In Sensor on	2.835	1.417	-
Paper feed jam	In sensor on to Write sensor on	.7874	.8661	-
Paper feed jam	Write sensor on to Out sensor on	5.531	.9843	-
Paper size error	In sensor on to Out sensor on	Depends on the paper length	1.772	1.772
Paper exit jam	Out sensor on to Out sensor off	Depends on the paper length	1.772	1.772
Paper feed jam	In sensor off to Write sensor off	.874	.8661	-

Note: Hyphen "-" in the table represents "not checked". **Unit:** inch

Paper Length List

Type	Paper length	Check range	Check range
------	--------------	-------------	-------------

		Min.	Max.
A4	11.69	9.921	13.46
A5	8.268	6.496	10.04
B5	10.12	8.346	11.89
LETTER	11.0	9.228	12.77
LEGAL 13	13.0	11.23	14.77
LEGAL 14	14.0	12.23	15.77
EXEC	10.50	8.728	12.27
A6	5.827	4.055	7.598
Monarch	7.50	5.728	9.272
COM-9	8.874	7.102	10.65
COM-10	9.50	7.728	11.27
DL	8.661	6.89	10.43
C5	9.016	7.244	10.79
Free	4.335 ~ 14.0	2.559	15.77

Unit: inch

Copyright 2000, Oki Data, Division of OKI America, Inc. All rights reserved. See the Oki Data Business Partner Exchange (BPX) for any updates to this material. (<http://bpx.okidata.com>)

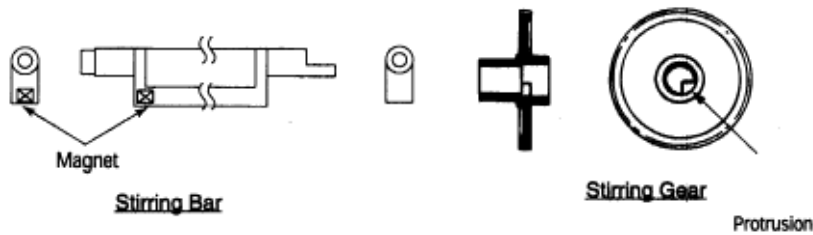
2.5 Cover Open

When the stacker cover is opened, the cover open microswitch on the power supply/sensor board is turned off to cut +5V supply to the high voltage power supply circuit. This results in the interruption of all high-voltage outputs. At the same time, the CVOPN signal is sent to the main control board to notify that the microswitch is off, and the main control board carries out the cover open process.

2.6 Toner Low Detection

● **Device**

The Toner Low Detection device consists of a stirring gear which rotates at a constant rate, a stirring bar and a magnet on the stirring bar. The stirring bar rotation is driven by the link to the protrusion in the stirring gear.

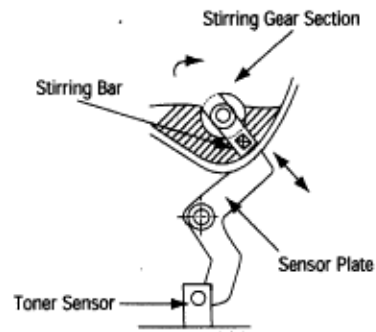


● **Operation**

Toner Low is detected by monitoring the time interval of the encounter of the magnet set on the sensor lever and the magnet on the stirring bar.

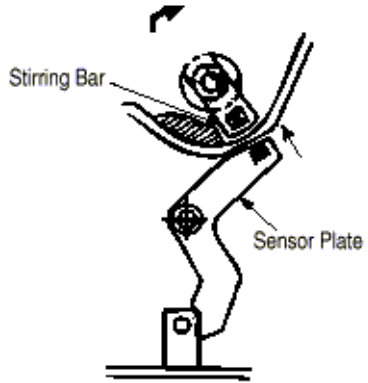
Operation during Toner Full state

- The stirring bar is rotated due to the mechanical transmission of energy originating from the interlocking with the stirring gear.
- Even when the magnet on the stirring bar reaches the maximum height, the stirring bar is pushed by the stirring gear, since the other end is being dipped in the toner.

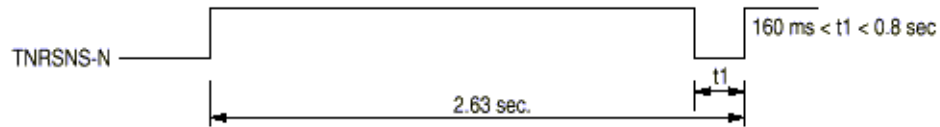


Operation during Toner Low state

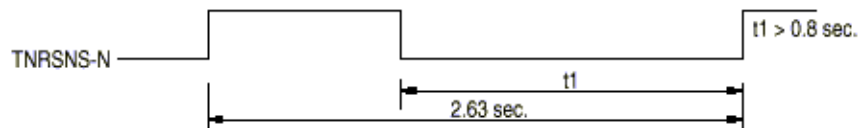
- When the stirring bar reaches the maximum height, it falls to the minimum height due to its own weight, since there is no resistance provided by the toner on the other side. Because of this, the time interval during which it is in encounter with the magnet of the sensor lever becomes longer. By monitoring this time interval, Toner Low can be detected.



TONER FULL state



TONER LOW state



- When the Toner Low state is detected 2 times consecutively, Toner Low is established.
- When the Toner Full state is detected 2 times consecutively, Toner Low is canceled.
- When there is no change with the toner sensor for 2 cycles (4.875 sec. x 2) or more, then the Toner Sensor Alarm is activated.
- The toner sensor is not monitored while the drum motor is in halt.

Copyright 2000, Oki Data, Division of OKI America, Inc. All rights reserved. See the Oki Data Business Partner Exchange (BPX) for any updates to this material. (<http://bpx.okidata.com>)

3.1 Precautions for Parts Replacement

The section explains the procedures for replacement of parts, assemblies, and units in the field. Only the disassembly procedures are explained here. For reassembly, reverse the steps of disassembly procedure.

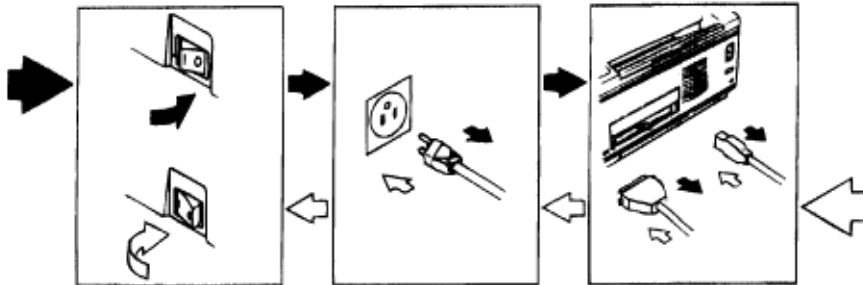
(1) Before starting the parts replacement, remove the AC power cord and interface cable.

(a) Remove the AC power cord in the following sequence:

- i) Turn off ("o") the power switch of the printer.
- ii) Disconnect the AC inlet plug of the AC power cord from the AC receptacle.
- iii) Disconnect the AC power cord and interface cable from the printer.

(b) Reconnect the printer in the following sequence.

- i) Connect the AC power cord and interface cable to the printer.
- ii) Connect the AC inlet plug to the AC receptacle.
- iii) Turn on ("I") the power switch of the printer.



(2) Do not try to disassemble as long as the printer is operating normally.

(3) Do not remove parts which do not need to be touched; try to keep the disassembly to a minimum.

(4) Use specified service tools.

(5) When disassembling, follow the procedure in sequence laid out in this manual. Parts may be damaged if these sequences are not followed.

(6) Since screws, collars and other small parts are likely to be lost, they should temporarily be attached to the original positions during disassembly.







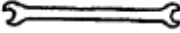



(7) When handling IC's such as microprocessors, ROM's and RAM's, or circuit boards, do not wear gloves that are likely to generate static electricity.

(8) Do not place printed circuit boards directly on the equipment or floor.

[Service Tools]

The tools required for field replacement of printed circuit boards and units are listed in Table 3-1.

Table 3-1 Service Tools

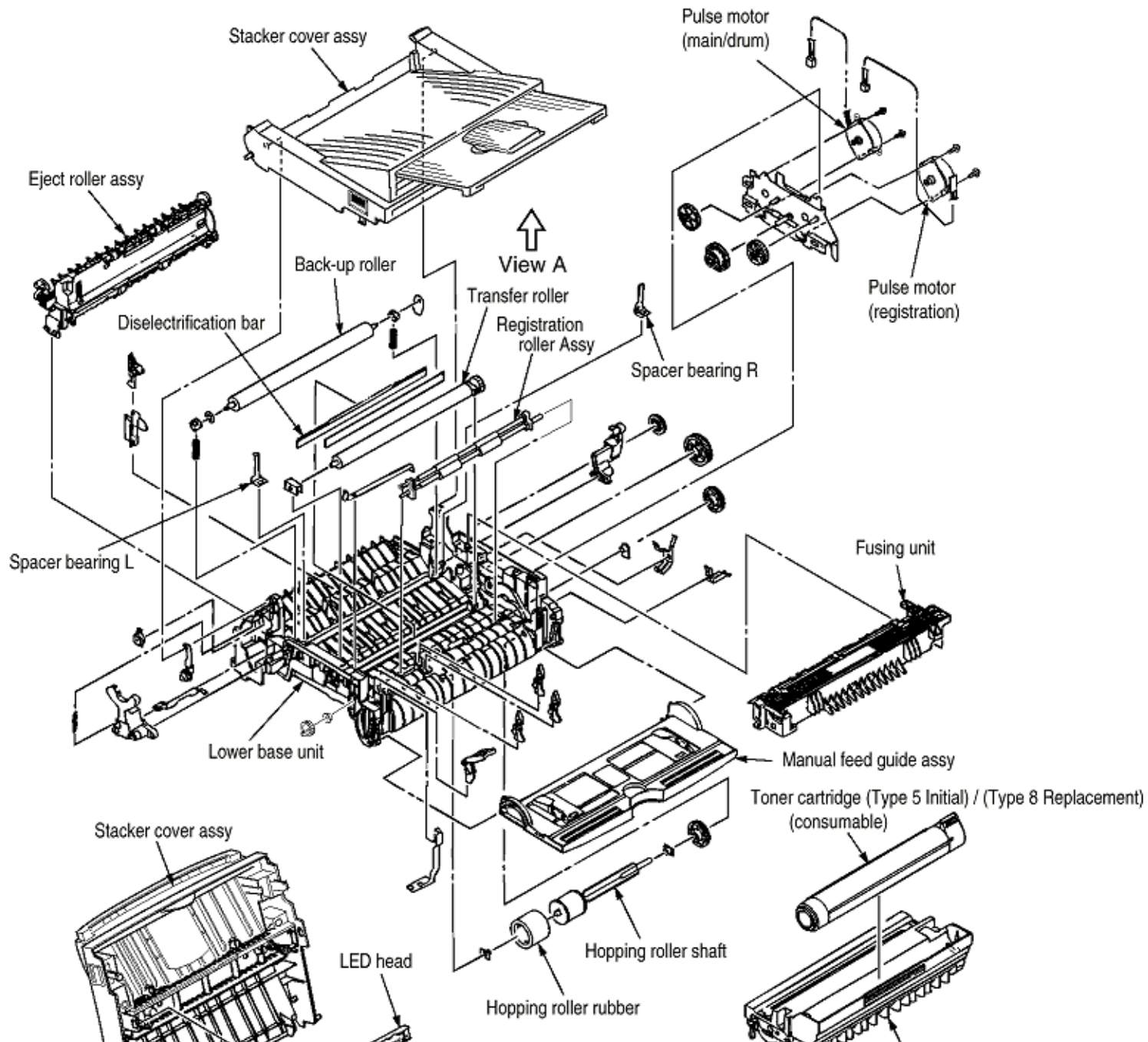
No.	Service Tools	Q' ty	Place of use	Remarks
1	 No. 1-100 Philips screwdriver	1	2~2.5 mm screws	
2	 No. 2-100 Philips screwdriver	1	3-5 mm screws	
3	 No. 3-100 screwdriver	1		
4	 No. 5-200 screwdriver	1		
5	 Digital multimeter	1		
6	 Pliers	1		
7	 5.0 mm wrench	1		
8	 Vacuum (with toner filter)	1		
9	 LED Head cleaner	1	Cleans LED head	
10	 Maintenance Utility	1	Adjustment of printer, etc.	OKIPAGE 6e OKIPAGE 6ex

Copyright 2000, Oki Data, Division of OKI America, Inc. All rights reserved. See the Oki Data Business Partner Exchange (BPX) for any updates to this material. (<http://bpx.okidata.com>)

3.2 Parts Layout - [Lower base unit]

This section describes the layout of main parts of the equipment.

[Lower base unit]

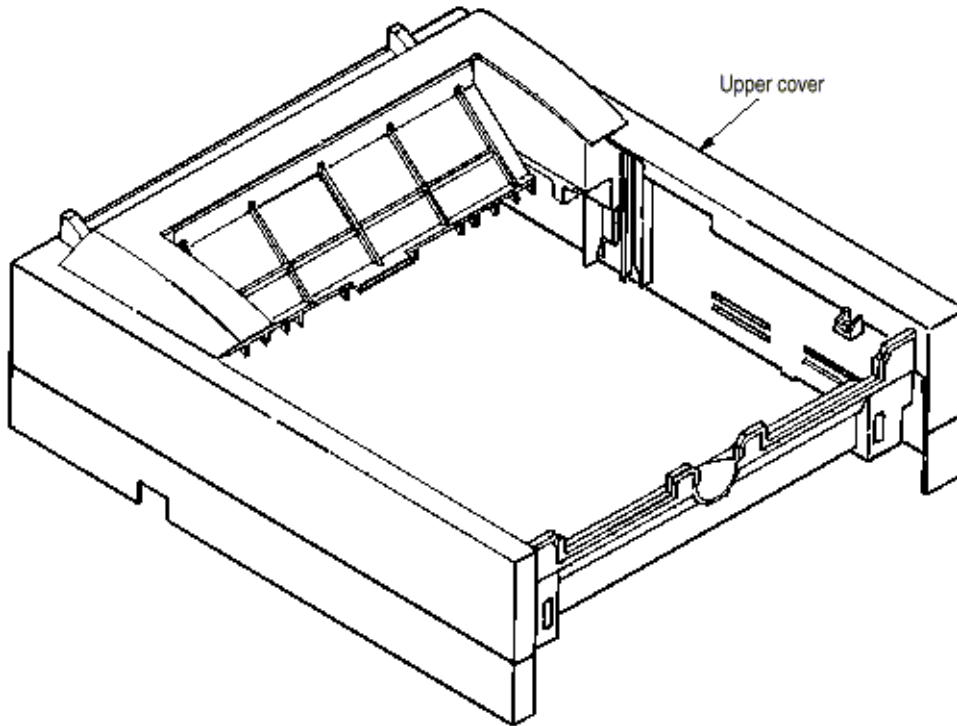


Upper Cover Unit

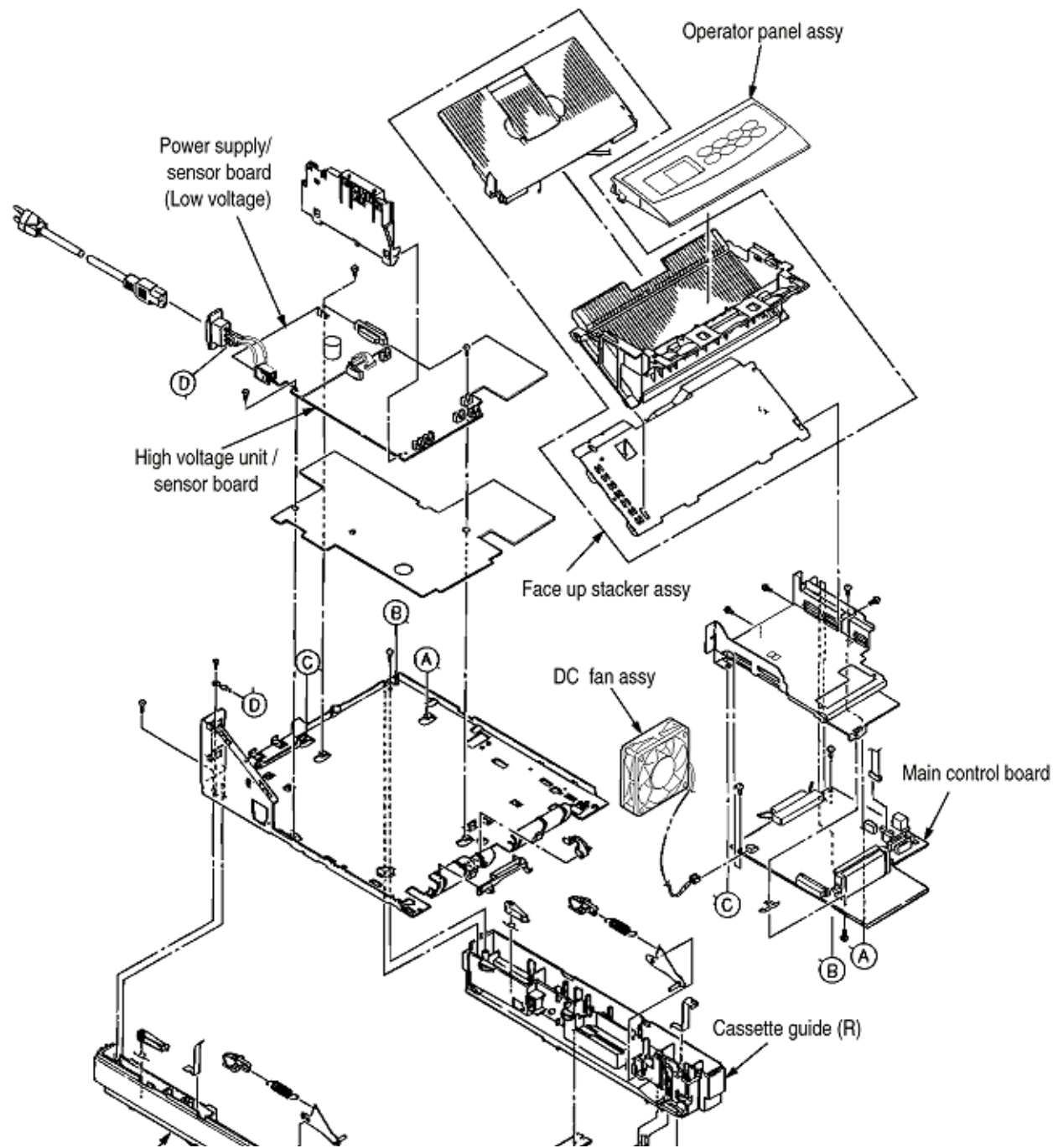
Base Unit

Copyright 2000, Oki Data, Division of OKI America, Inc. All rights reserved. See the Oki Data Business Partner Exchange (BPX) for any updates to this material. (<http://bpx.okidata.com>)

[Upper cover unit]



[Base unit]



Copyright 2000, Oki Data, Division of OKI America, Inc. All rights reserved. See the Oki Data Business Partner Exchange (BPX) for any updates to this material. (<http://bpx.okidata.com>)

3.3 How to Change Parts

This section explains how to change parts and assemblies listed in the disassembly diagram below.

3.3.1 Upper cover

3.3.2 LED Head

3.3.3 Operator Panel Assy

3.3.4 Lower Base Unit

3.3.5 Pulse Motor (Main/Drum)

3.3.6 Pulse Motor (Registration)

3.3.7 Face-Up Stacker Assy

3.3.8 Eject Roller Assy

3.3.9 Motor Assy

3.3.10 Hopping Roller Shaft Assy

3.3.11 Stacker Cover Assy

3.3.12 Registration Roller

3.3.13 Back-up Roller

3.3.14 Sensor plate (inlet)

3.3.15 Toner sensor

3.3.16 Sensor plate (outlet)

3.3.17 Manual feed guide assy

3.3.18 Manual Feed Guide Assy

3.3.19 Sensor Plate (Paper Supply)

3.3.20 Main Control PCB

3.3.21 Power supply board and contact assy

3.3.22 Cassette Guide (L)

3.3.23 Cassette Guide (R)

3.3.24 Spacer Bearing (L/R)

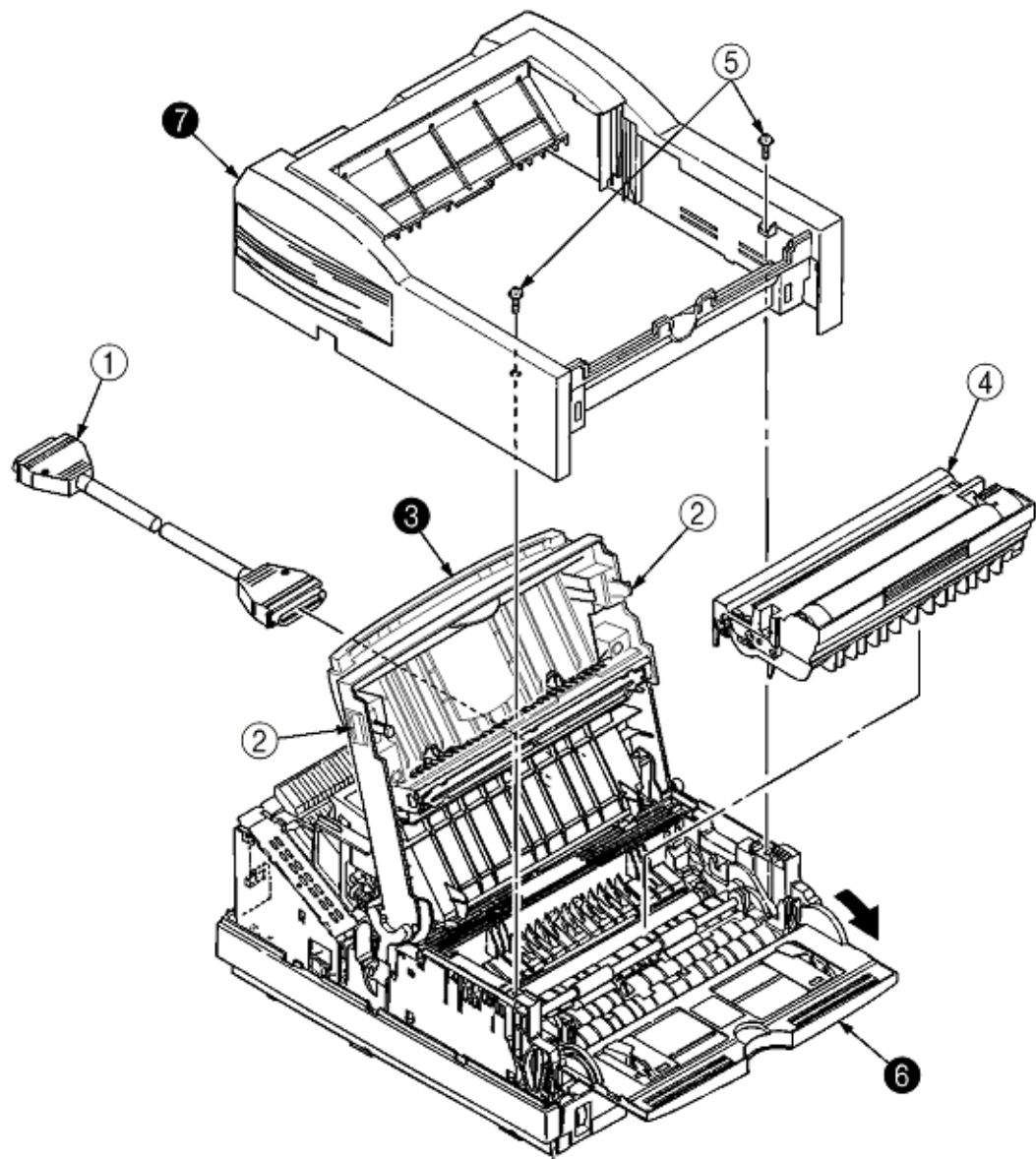
Copyright 2000, Oki Data, Division of OKI America, Inc. All rights reserved. See the Oki Data Business Partner Exchange (BPX) for any updates to this material. (<http://bpx.okidata.com>)

3.3.1 Upper Cover Assy

- (1) With the power switch turned off, unplug the AC power cord from the outlet.
- (2) Disconnect the interface cable (1).
- (3) Press the knobs (2) on left and right sides and open the stacker cover assy (3).
- (4) Take out the image drum unit (4).
- (5) Remove two screws (5), and open the manual feed guide assy (6). Lift the front side of the upper cover (7) up and unlock the latches at two locations on the back side. Lift and remove the upper cover assy (7).

Notes:

1. When removing or reinstalling the upper cover, be careful not to get the motor cables tangled or caught.
2. When reinstalling the screws (5), be sure to direct the screws into preexisting threads.



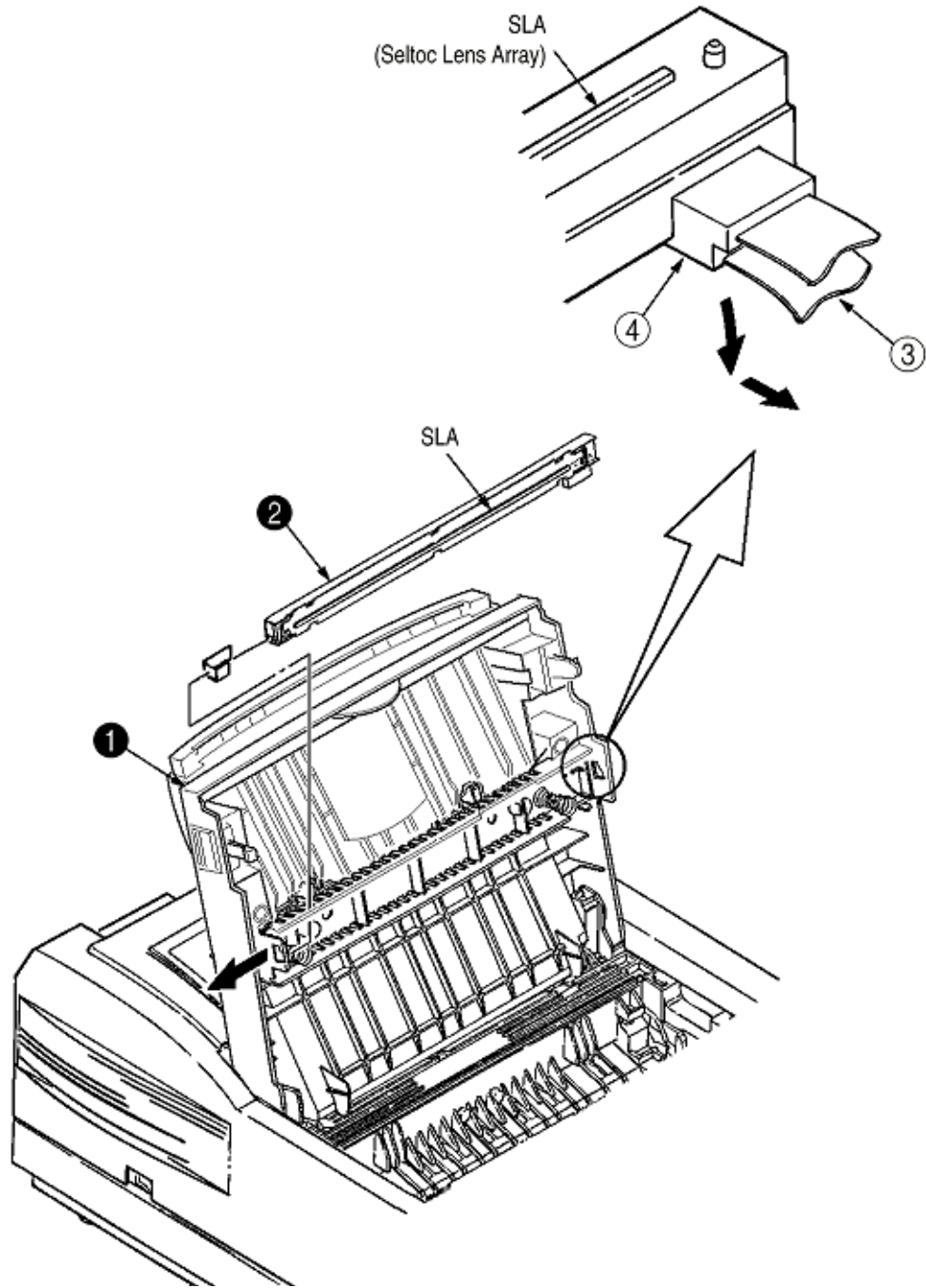
Copyright 2000, Oki Data, Division of OKI America, Inc. All rights reserved. See the Oki Data Business Partner Exchange (BPX) for any updates to this material. (<http://bpx.okidata.com>)

3.3.2 LED Head

- (1) Press the latches on left and right sides and open the stacker cover assy (1).
- (2) Open the hook section on the left side of the stacker cover and remove the LED head (2).

Note:

- Be sure not to touch directly or push on the SLA part of the LED head.
- Do not remove the LED cable (3) from the connector.
- Remove connector (4) and cable (3) together as an assembly from the LED head.

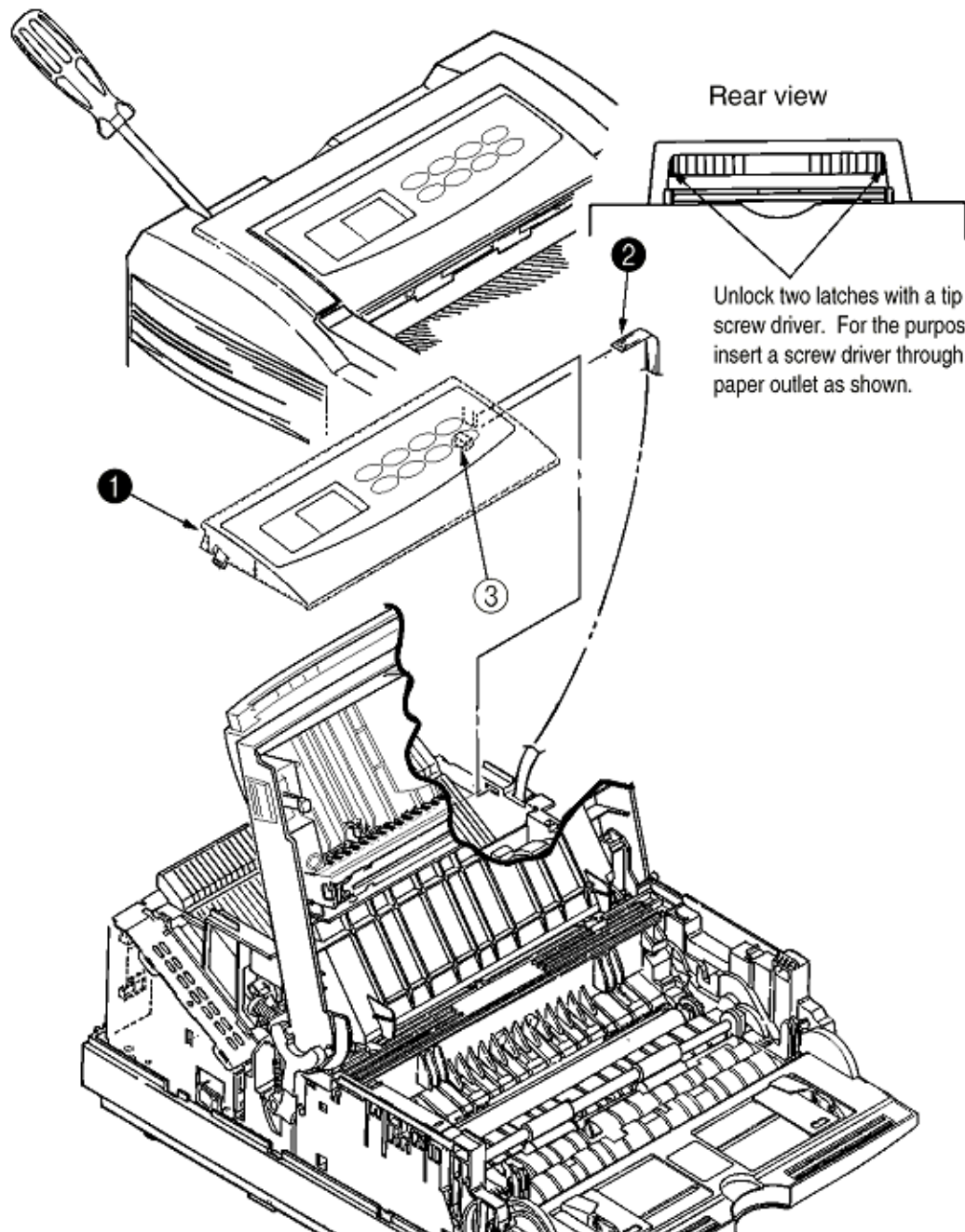


Copyright 2000, Oki Data, Division of OKI America, Inc. All rights reserved. See the Oki Data Business Partner Exchange (BPX) for any updates to this material. (<http://bpx.okidata.com>)

3.3.3 Operator Panel Assy

- (1) Unlock two latches on the upper cover from the rear side, lift the operator panel assy (1) from the back and remove it.
- (2) Remove the Sumi card (operator panel) (2) from the connector (CN1) (3).

Note: You can remove the operator panel assy while the upper cover installed on the unit. However, it is much easier to remove the panel assy after removal of upper cover.



Rear view

Unlock two latches with a tip of screw driver. For the purpose, insert a screw driver through faceup paper outlet as shown.

1

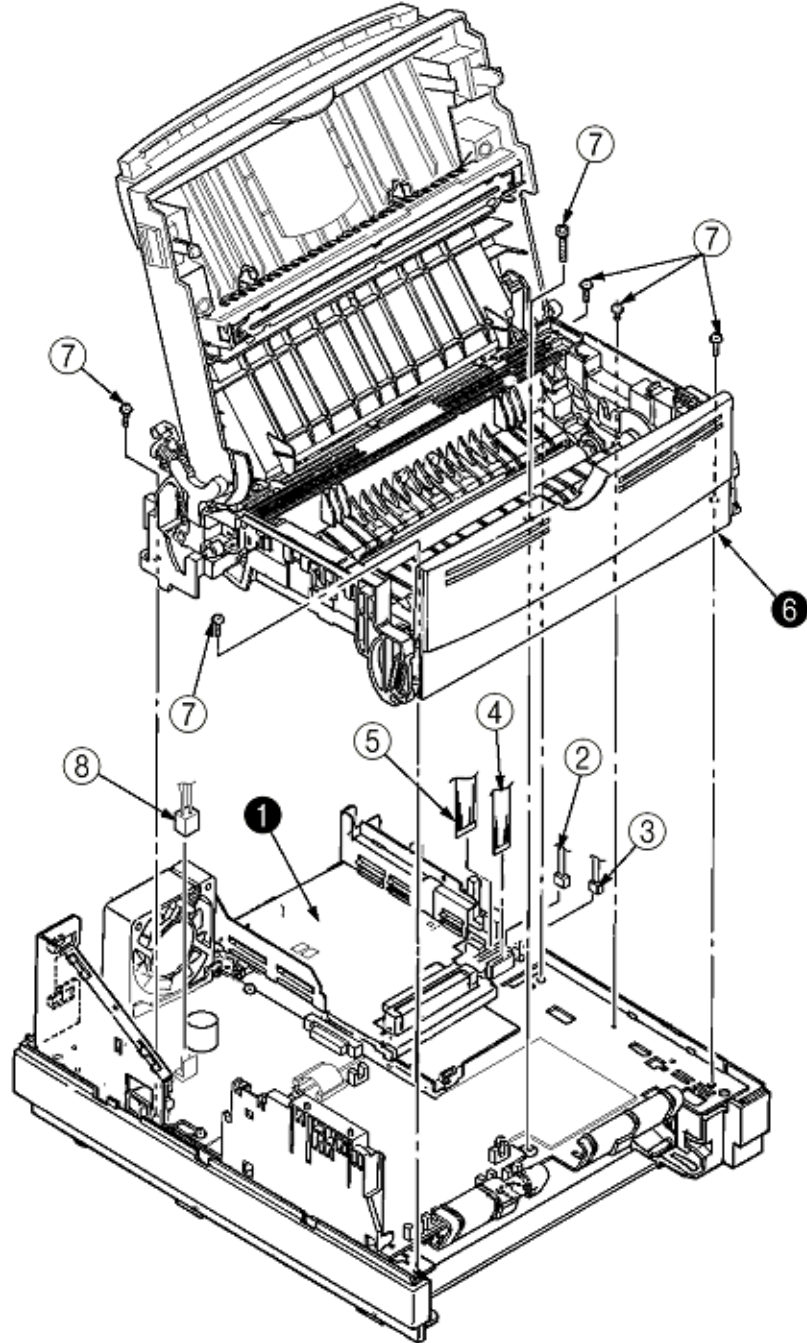
2

3

Copyright 2000, Oki Data, Division of OKI America, Inc. All rights reserved. See the Oki Data Business Partner Exchange (BPX) for any updates to this material. (<http://bpx.okidata.com>)

3.3.4 Lower Base Unit

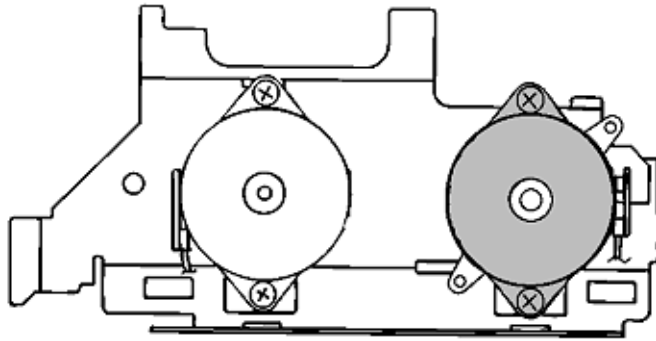
- (1) Remove the upper cover (see 3.3.1).
- (2) Remove the operator panel assy (see 3.3.3).
- (3) Remove the face up stacker assy (see 3.3.7)
- (4) Remove the connecting cables (2) and (3) of the pulse motors from the connectors (DM, RM) of the M7E-PCB (1).
- (5) Remove the LED head cables (4) and (5) from the connectors (HEAD1, HEAD2).
- (6) Remove the connecting cable (8) of the heater from the connector (CN2).
- (7) Open the manual feed guide assy, remove six screws (7), then remove the lower base unit (6).



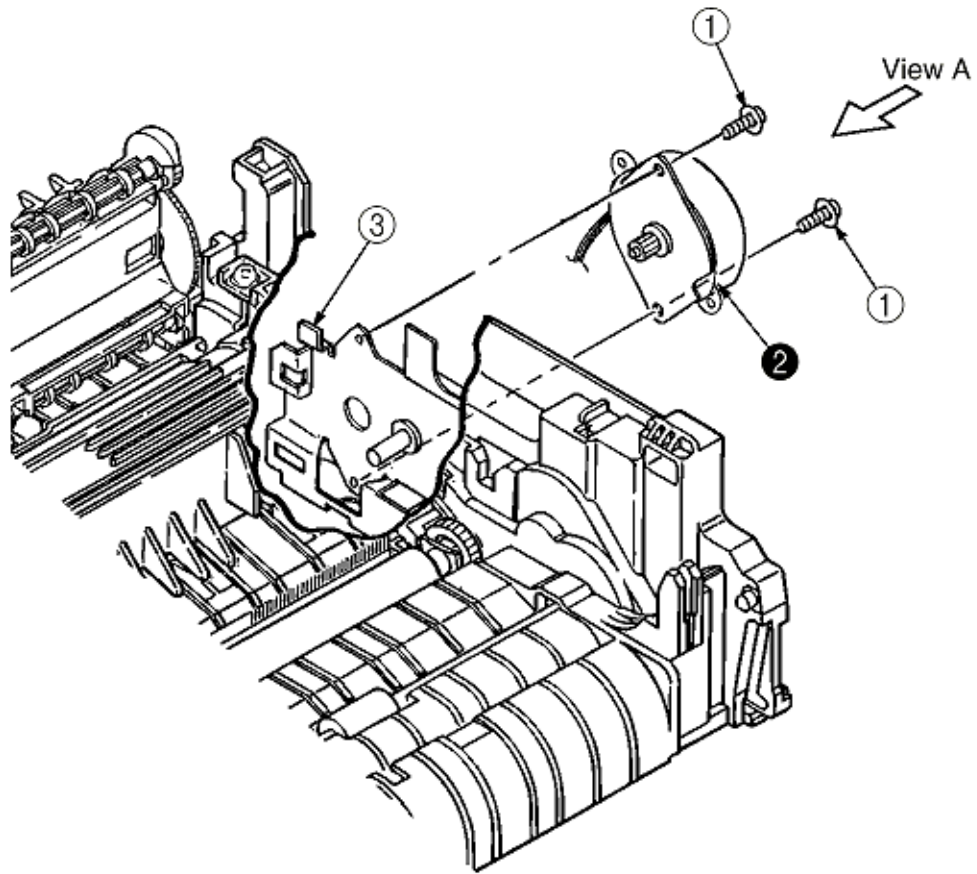
Copyright 2000, Oki Data, Division of OKI America, Inc. All rights reserved. See the Oki Data Business Partner Exchange (BPX) for any updates to this material. (<http://bpx.okidata.com>)

3.3.5 Pulse Motor Main/Drum

- (1) Remove the upper cover (see 3.3.1).
- (2) Remove the lower base unit (see 3.3.4).
- (3) Remove two screws (1) and remove the pulse motor (main drum) (2) from the motor bracket (3).

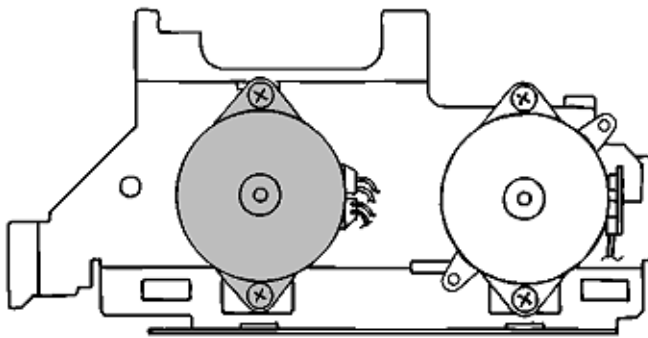


View A

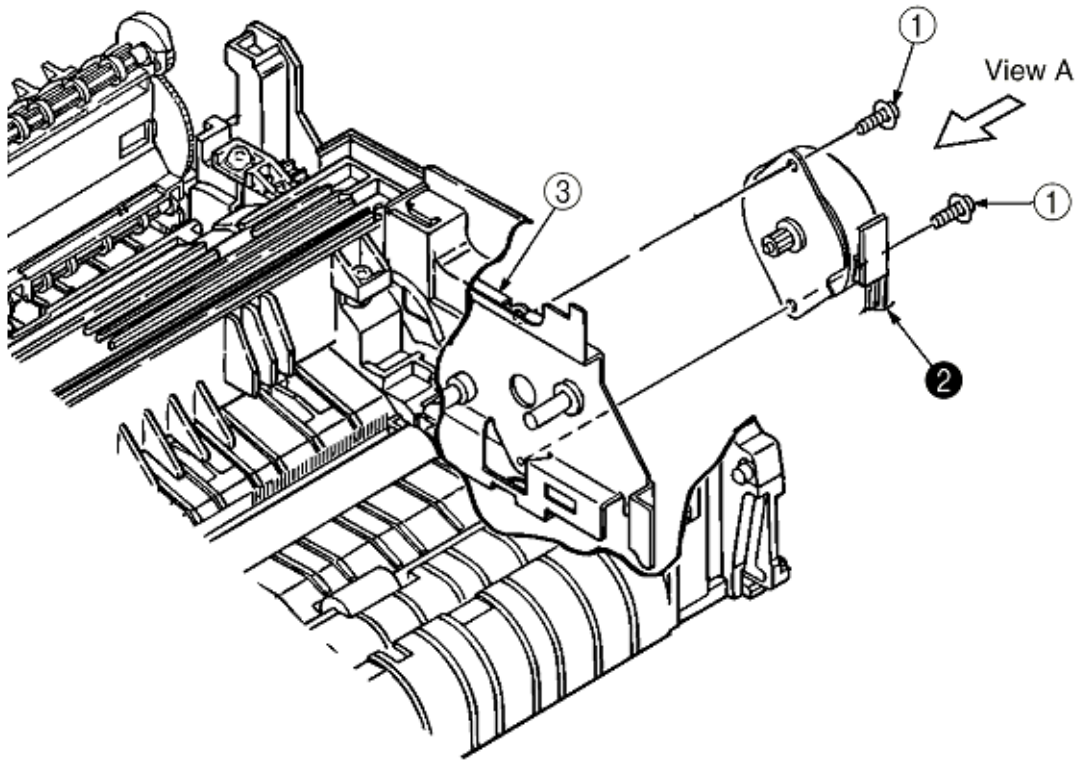


3.3.6 Pulse Motor (Registration)

- (1) Remove the upper cover (see 3.3.1).
- (2) Remove the lower base unit (see 3.3.4).
- (3) Remove two screws (1) and remove the pulse motor (registration) (2) from the motor bracket (3).



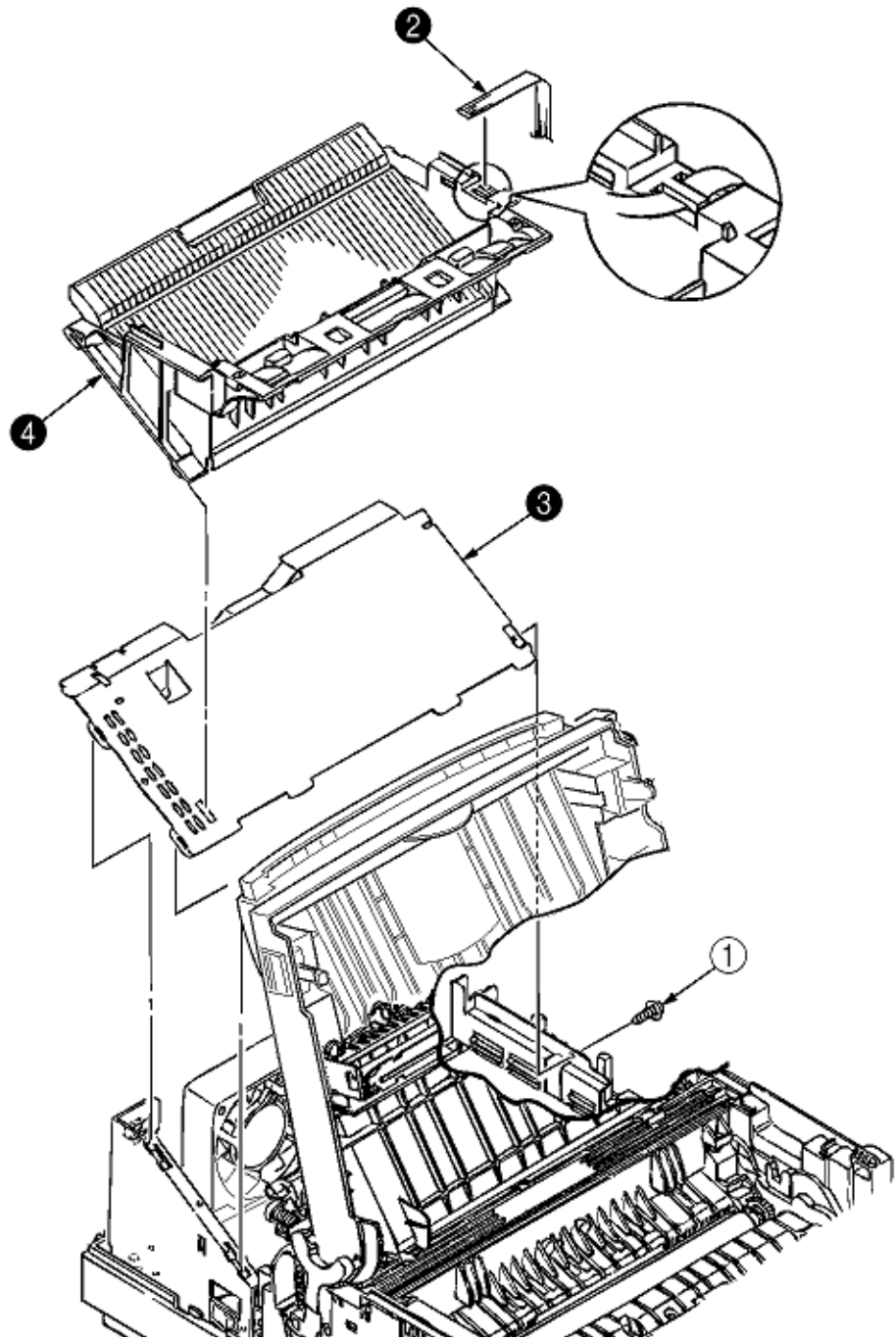
View A



Copyright 2000, Oki Data, Division of OKI America, Inc. All rights reserved. See the Oki Data Business Partner Exchange (BPX) for any updates to this material. (<http://bpx.okidata.com>)

3.3.7 Face Up Stacker Assy

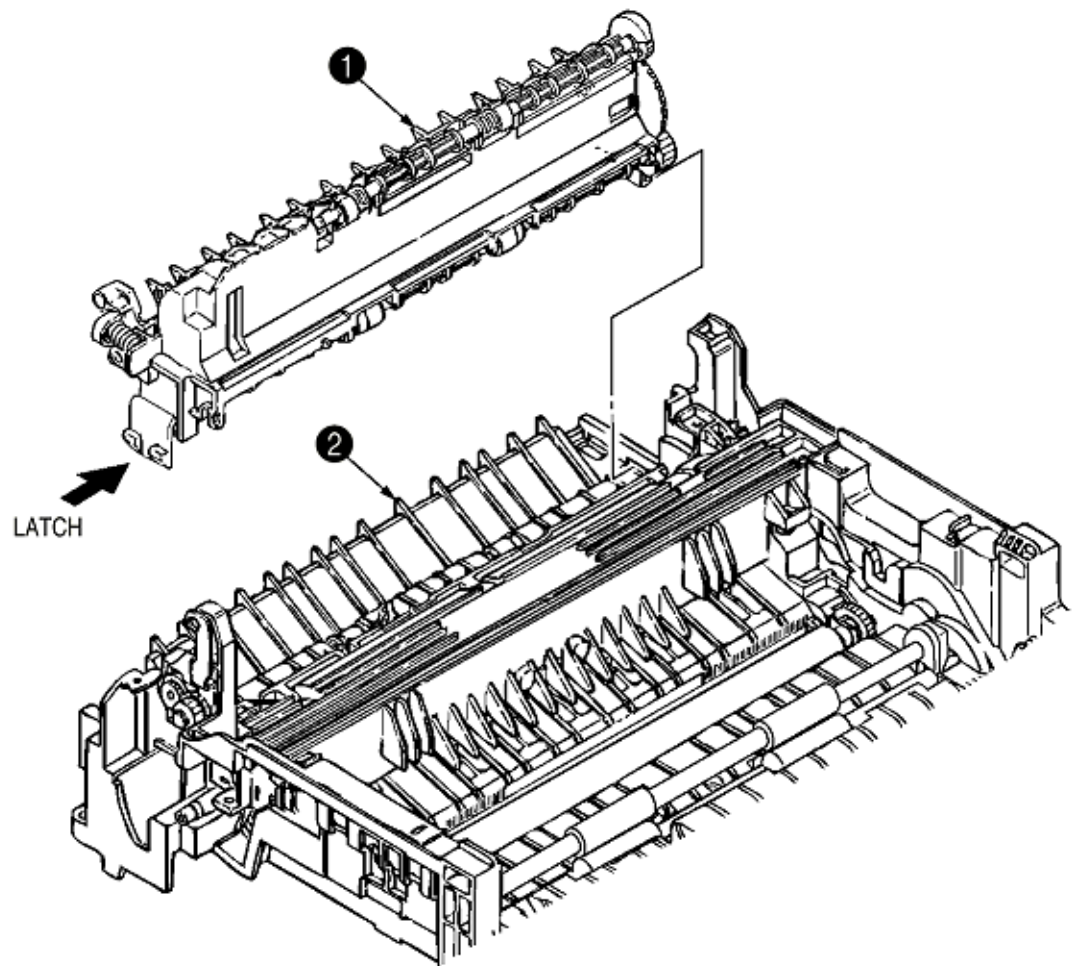
- (1) Remove the upper cover (see 3.3.1).
- (2) Remove the operator panel assy (see 3.3.3).
- (3) Remove the screw (1) and remove the Sumi card (operator panel cable) (2) off the latch section of face up stacker (4). Remove both the shield plate (3) and face up stacker (4) together.
- (4) Unlock the latches at two locations, and remove the face up stacker (4).



Copyright 2000, Oki Data, Division of OKI America, Inc. All rights reserved. See the Oki Data Business Partner Exchange (BPX) for any updates to this material. (<http://bpx.okidata.com>)

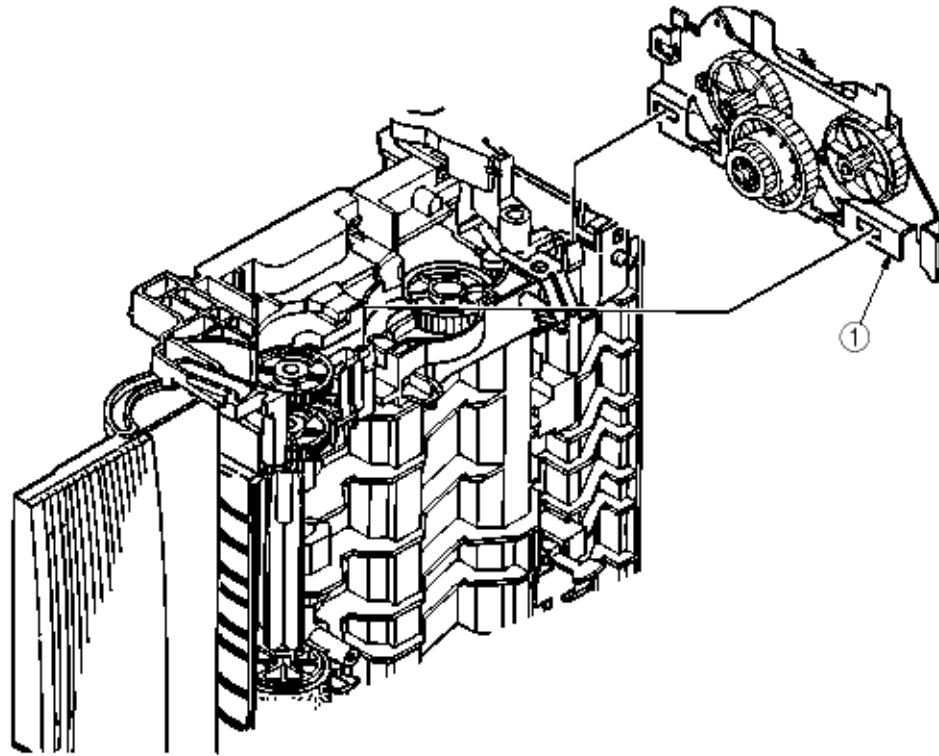
3.3.8 Eject Roller Assy

- (1) Remove the upper cover assy (see 3.3.1).
- (2) Remove the operator panel assy (see 3.3.3).
- (3) Remove the face up stacker assy (see 3.3.7)
- (4) Remove the lower base unit (see 3.3.4).
- (5) Disengage the eject roller assy (1) from the lower base (2) by pressing the latch section of the eject roller assy (1) in the direction of the arrow shown below, and remove the eject roller assy (1).



3.3.9 Motor Assy

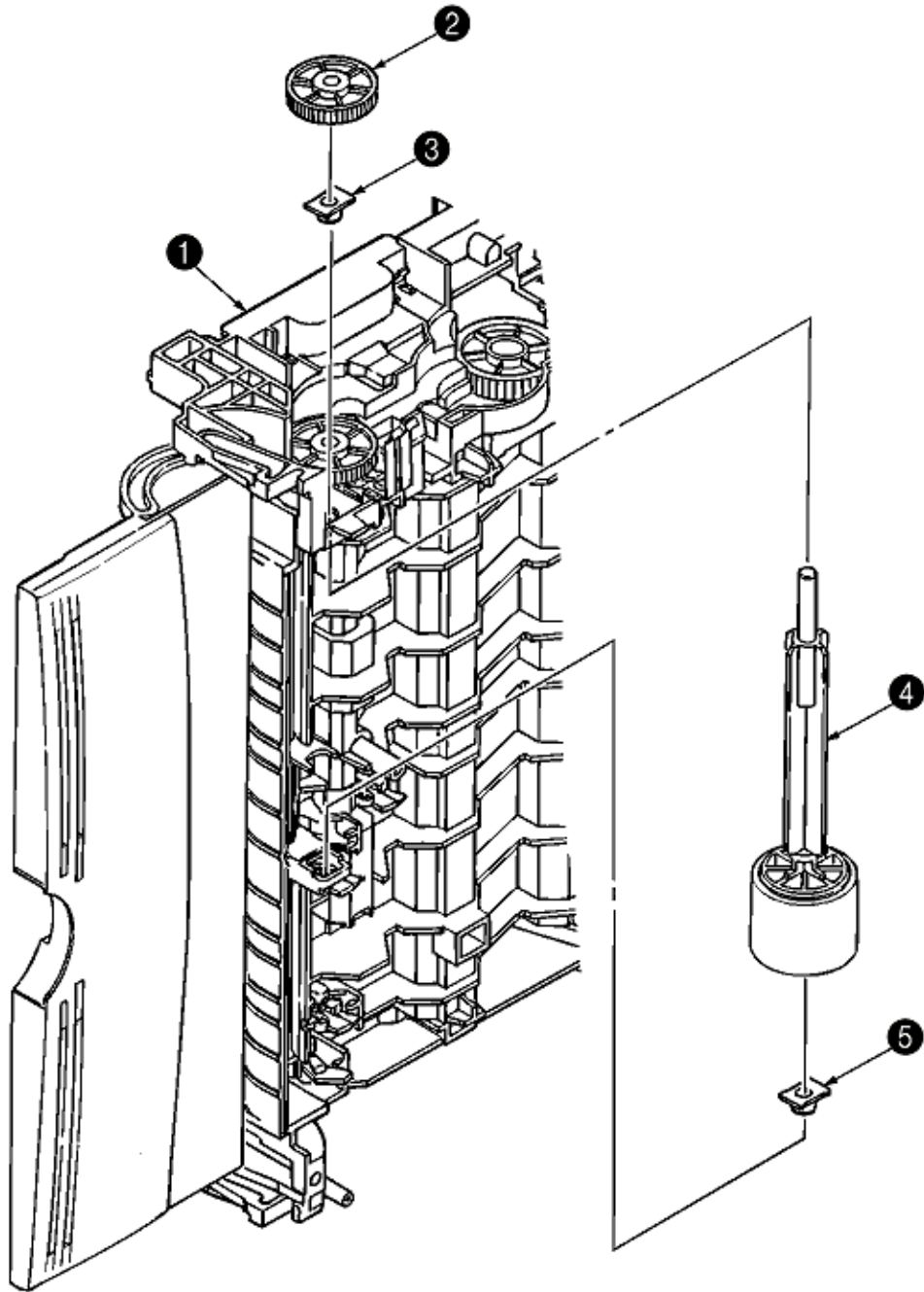
- (1) Remove the upper cover assy (see 3.3.1).
- (2) Remove the operator panel assy (see 3.3.3).
- (3) Remove the face up stacker assy (see 3.3.7)
- (4) Remove the lower base unit (see 3.3.4)
- (5) Remove the heat sink from the pulse motor (main/drum) (see 3.3.5).
- (6) Stand the lower base unit on its side as shown, and unlock two latches, then remove the motor assy (1).



Copyright 2000, Oki Data, Division of OKI America, Inc. All rights reserved. See the Oki Data Business Partner Exchange (BPX) for any updates to this material. (<http://bpx.okidata.com>)

3.3.10 Hopping Roller Shaft Assy

- (1) Remove the upper cover assy (see 3.3.1).
- (2) Remove the operator panel assy (see 3.3.3).
- (3) Remove the face up stacker assy (see 3.3.7)
- (4) Remove the lower base unit (see 3.3.4).
- (5) Remove the motor assy (see 3.3.9).
- (6) With the lower base unit (1) standing on its side, remove the one-way clutch gear (2) and the bearing (A) (3).
- (7) Remove the hopping roller shaft assy (4) (the bearing (B) (5) comes off, so be careful not to lose it).

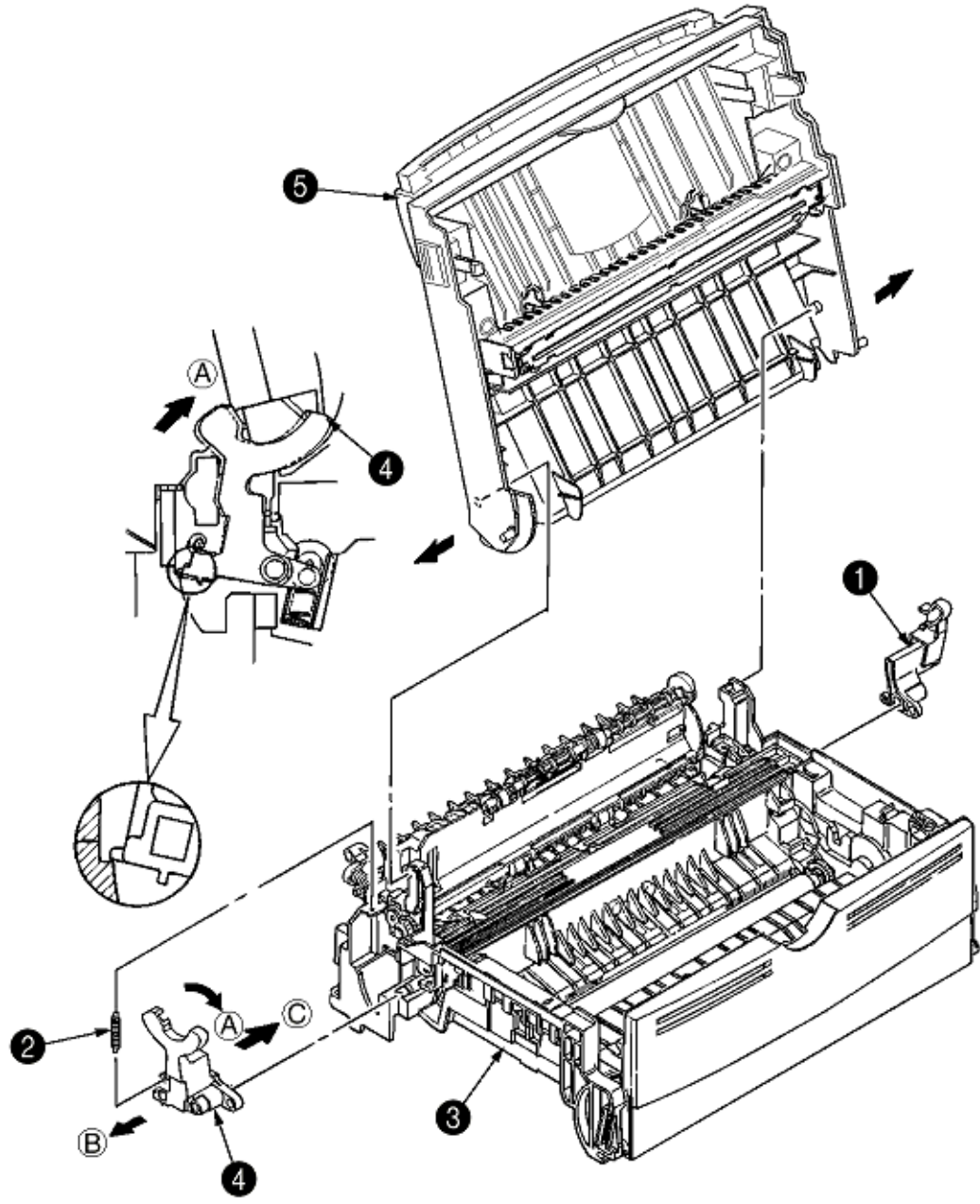


Copyright 2000, Oki Data, Division of OKI America, Inc. All rights reserved. See the Oki Data Business Partner Exchange (BPX) for any updates to this material. (<http://bpx.okidata.com>)

3.3.11 Stacker Cover Assy

- (1) Remove the upper cover assy (see 3.3.1).
- (2) Remove the operator panel assy (see 3.3.3).
- (3) Remove the face up stacker assy (see 3.3.7)
- (4) Remove the reset lever R (1).
- (5) Detach the reset spring (2) from the lower base unit (3), turn the reset lever L (4) in the direction of arrow (A) until it stops, and remove it in the direction of arrow (B).
- (6) Unlock two latches of the lower base unit (3), then remove the stacker cover assy (5).

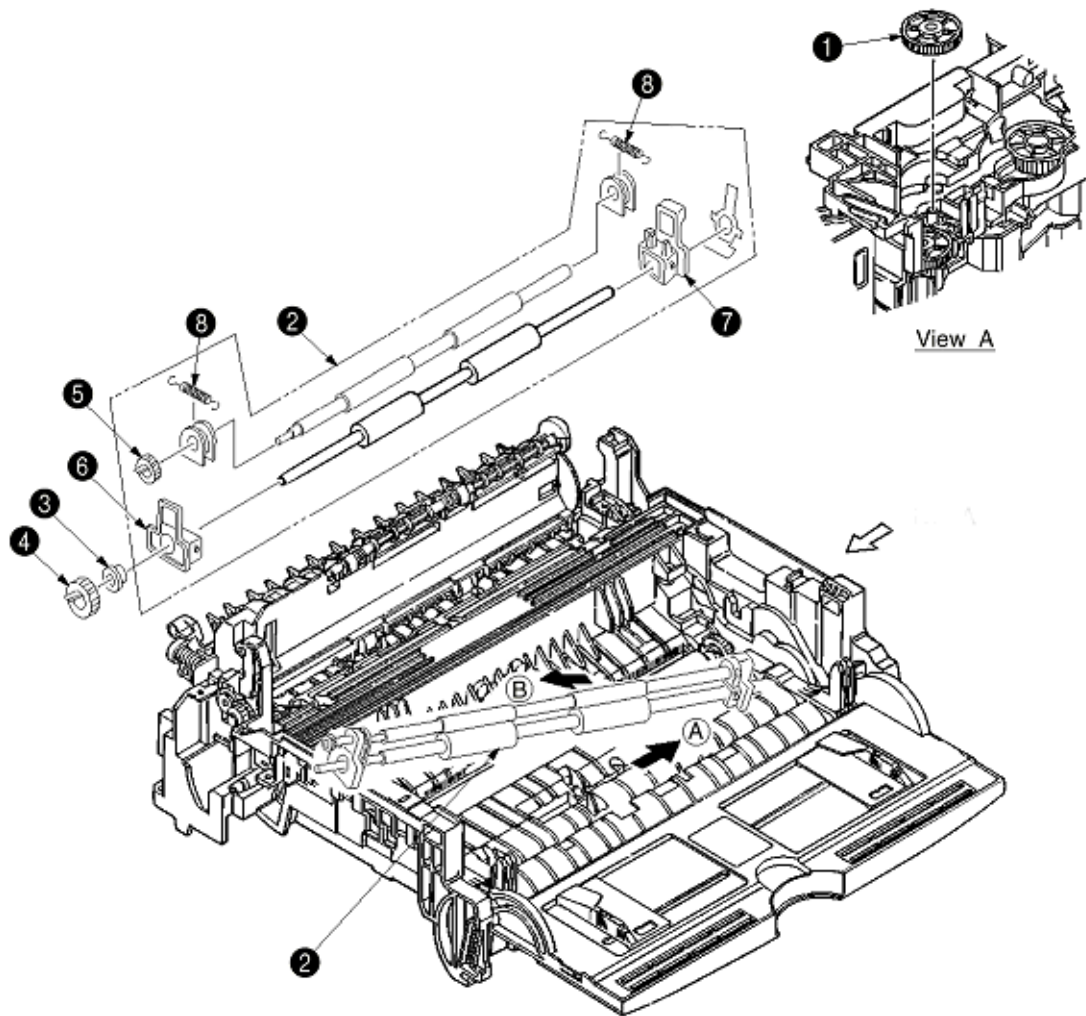
Note: When reinstalling the reset level L (4), fit it onto the guide of the lower base unit (3), turn it in the direction of arrow (C) while pressing down the shaft of back up roller, and engage the reset lever L (4).



Copyright 2000, Oki Data, Division of OKI America, Inc. All rights reserved. See the Oki Data Business Partner Exchange (BPX) for any updates to this material. (<http://bpx.okidata.com>)

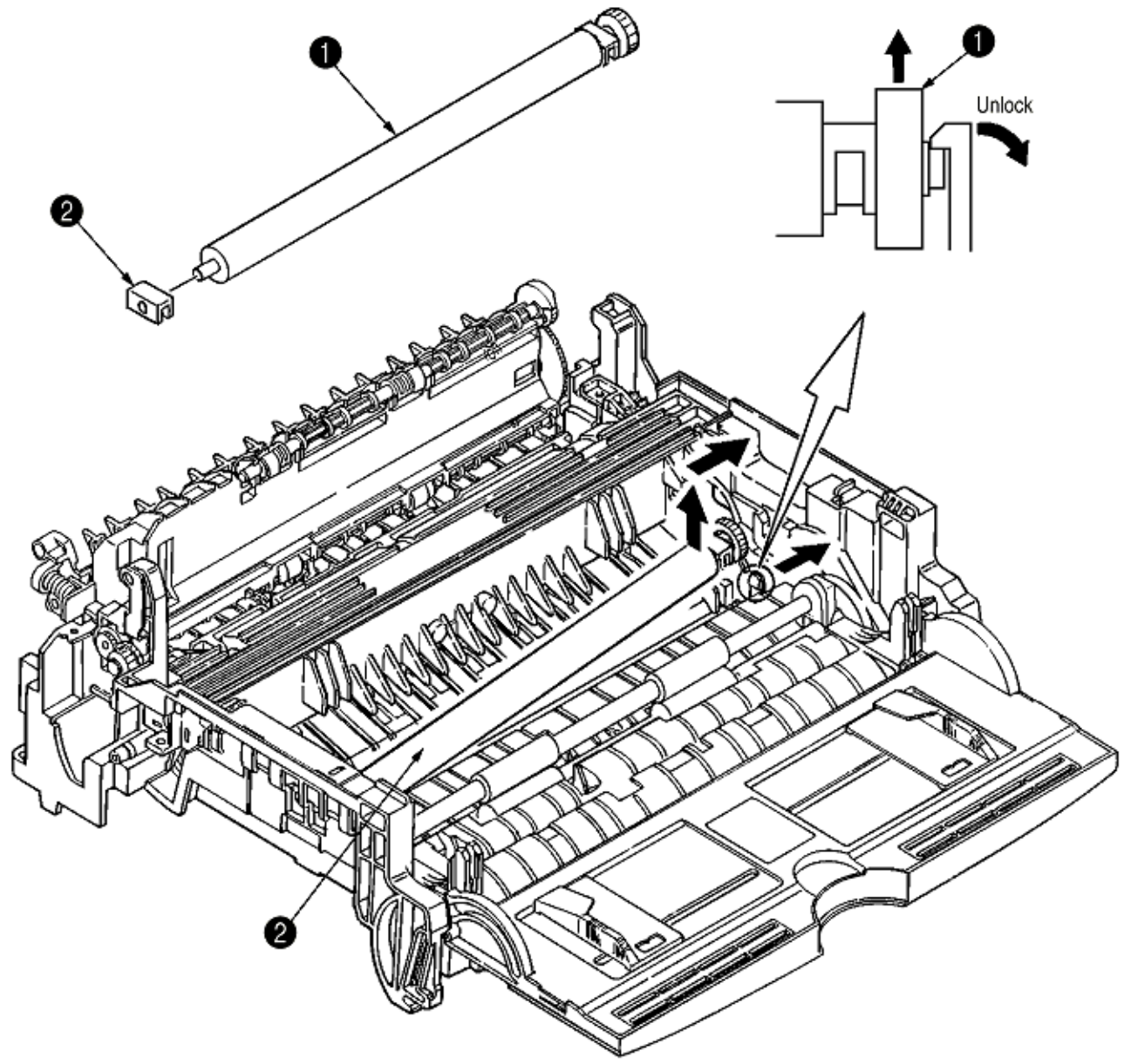
3.3.12 Registration Roller

- (1) Remove the upper cover (see 3.3.1).
- (2) Remove the operator panel assy (see 3.3.3).
- (3) Remove the face up stacker assy (see 3.3.7)
- (4) Remove the lower base unit (see 3.3.4).
- (5) Remove the motor assy (see 3.3.9).
- (6) With the lower base unit standing on its side, remove the one-way clutch gear (1).
- (7) Remove the Registration Gear by unlocking the latch of the Gear (4).
- (8) Remove the Registration Bearing L (3).
- (9) Press the registration roller Assy (2) in the direction of arrow (A) and lift up the left side of it, then remove the registration roller (2) and the bearing (registration) (3).
- (10) Pull out the registration roller Assy (2) in the direction of arrow (B) .
- (11) Remove the pressure roller Assy gear (5) by unlocking the latch of the gear (5).
- (12) Remove the bearing-RegistrationL (6) and bearing Registration R (7).
- (13) Remove the Spring (8) from the bearing (6),(7).



3.3.13 Roller Transfer Assy

- (1) With the power switch turned off, unplug the AC cord from the outlet.
- (2) Open the stacker cover.
- (3) Release the roller transfer assy (1) by unlocking the latch of the main unit (never apply excessive force when unlocking the latch).
- (4) Lift the right side of the roller transfer assy (1), and shift it to the right side, then pull it out from the main unit (at this time, the bearings (2) of the left and right sides of the roller transfer assy (1) will also come off).



Copyright 2000, Oki Data, Division of OKI America, Inc. All rights reserved. See the Oki Data Business Partner Exchange (BPX) for any updates to this material. (<http://bpx.okidata.com>)

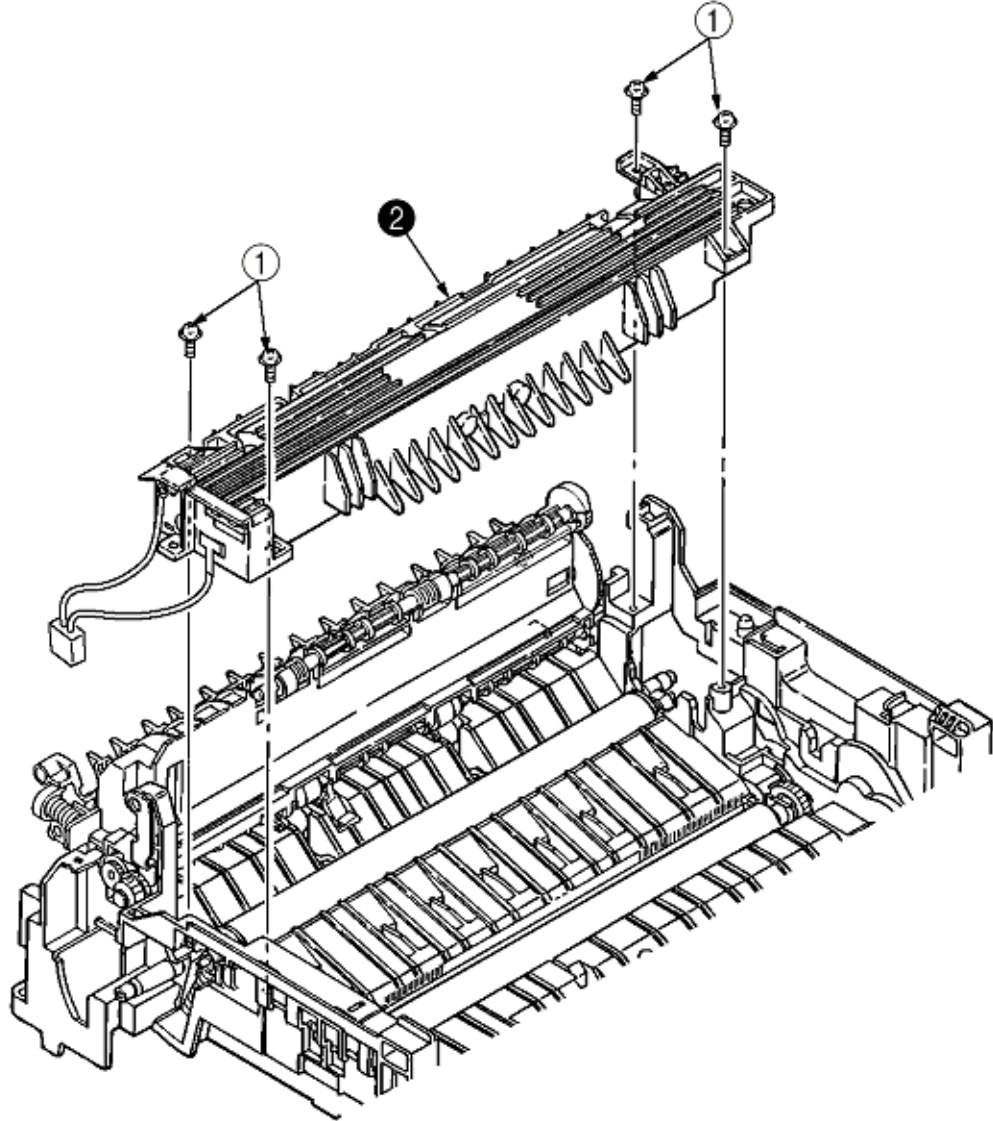
3.3.14 Fusing Unit

- (1) Remove the upper cover assy (see 3.3.1).
- (2) Remove the operator panel assy (see 3.3.3).
- (3) Remove the face up stacker assy (see 3.3.7)
- (4) Remove the lower base unit (see 3.3.4).
- (5) Remove the stacker cover assy (see 3.3.11).
- (6) Remove the four screws (1), lift and remove the fusing unit (2).

Caution: Fusing unit may be hot. Use care when handling.

Notes:

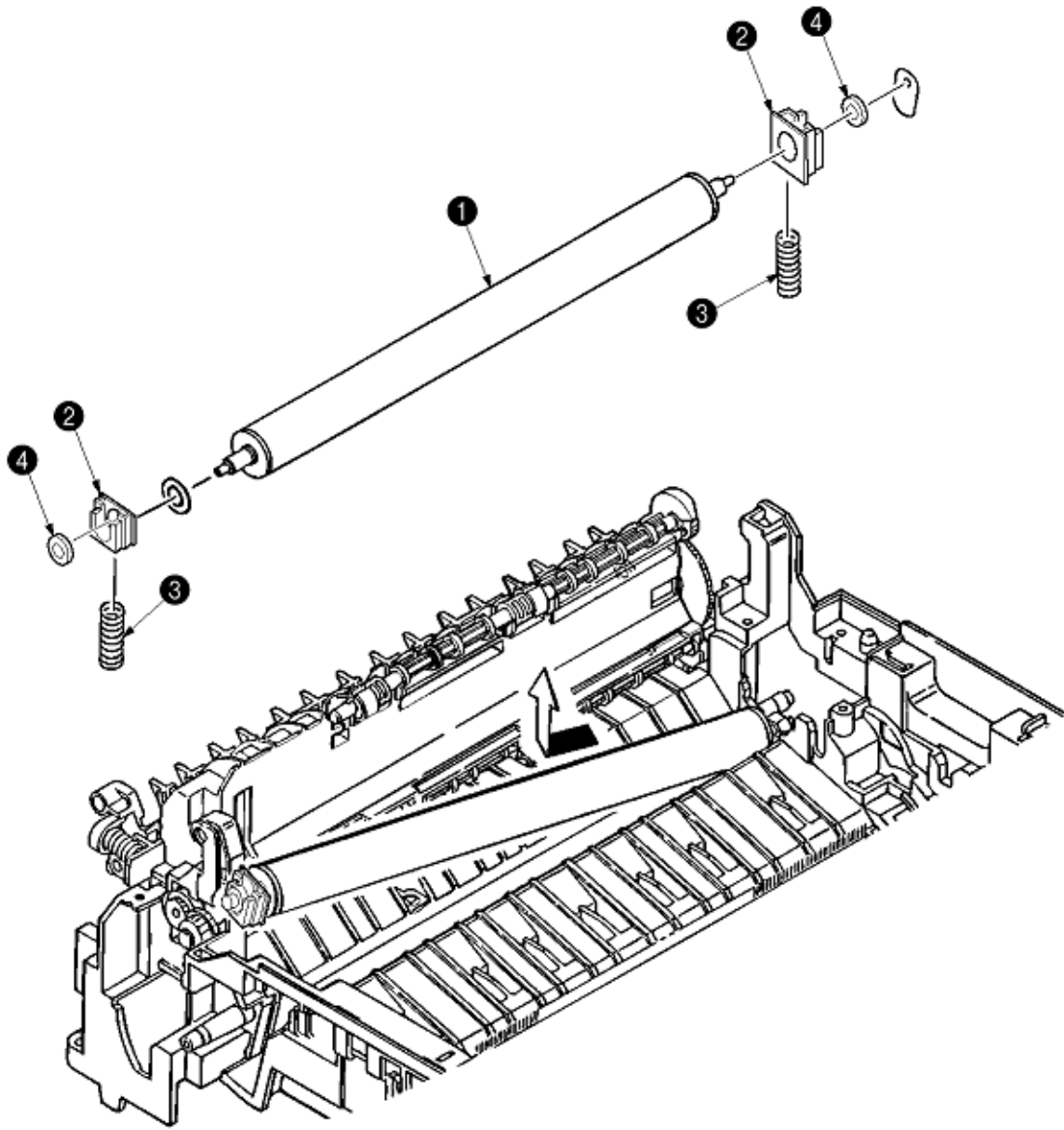
1. When reinstalling or removing the fusing unit, tighten or loosen the screws while holding the fusing unit assy (2) down with your hand (it is being pushed up by back up roller).
2. When reinstalling the screws (1), be sure to direct the screws into preexisting thread and avoid damaging the threads.
3. Do not apply excessive torque when tightening the screws (1).



Copyright 2000, Oki Data, Division of OKI America, Inc. All rights reserved. See the Oki Data Business Partner Exchange (BPX) for any updates to this material. (<http://bpx.okidata.com>)

3.3.15 Back-up Roller

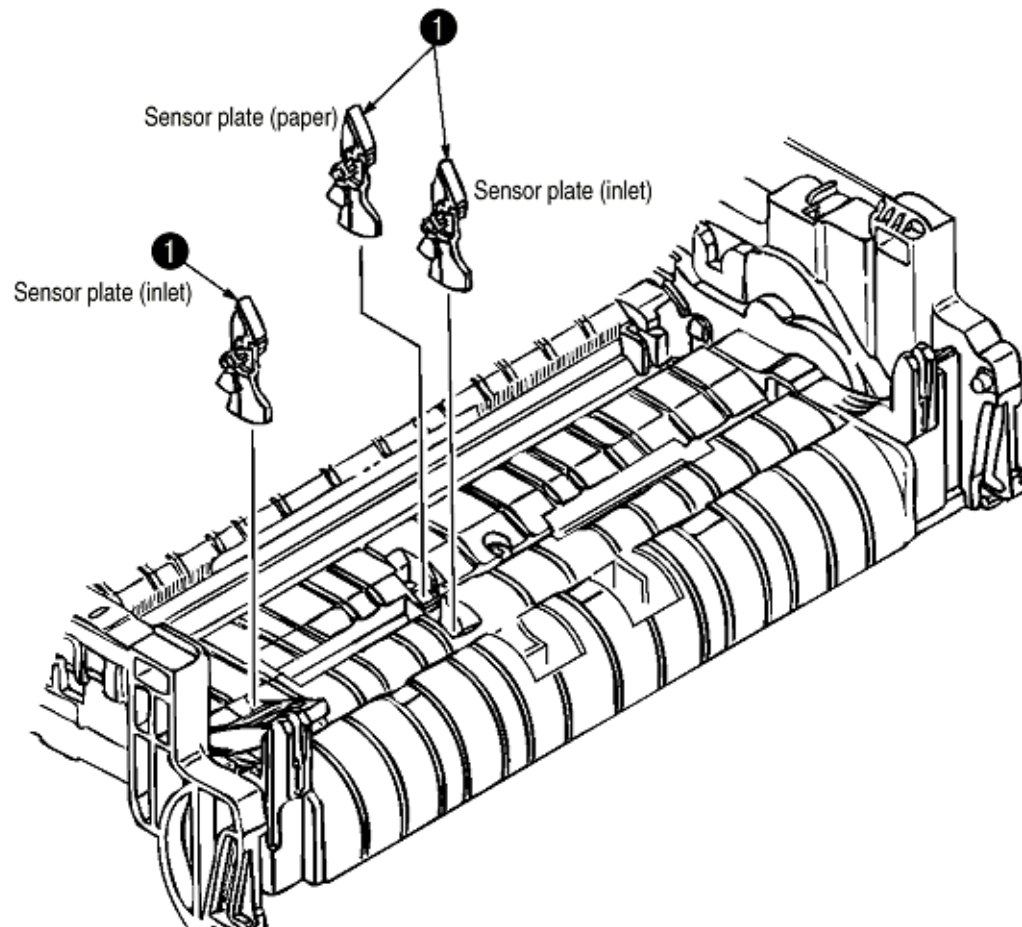
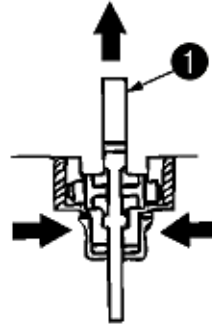
- (1) Remove the fusing unit assy (see 3.3.14).
- (2) Lift the left side of the back-up roller (1), and pull it out to the left side (at this time, two bushings (back-up) (2) and the bias springs (back-up) (3) will also come off).



Copyright 2000, Oki Data, Division of OKI America, Inc. All rights reserved. See the Oki Data Business Partner Exchange (BPX) for any updates to this material. (<http://bpx.okidata.com>)

3.3.16 Sensor Plate (Inlet)

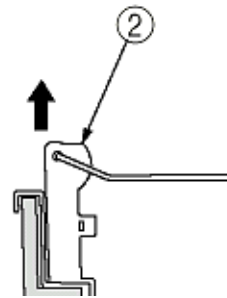
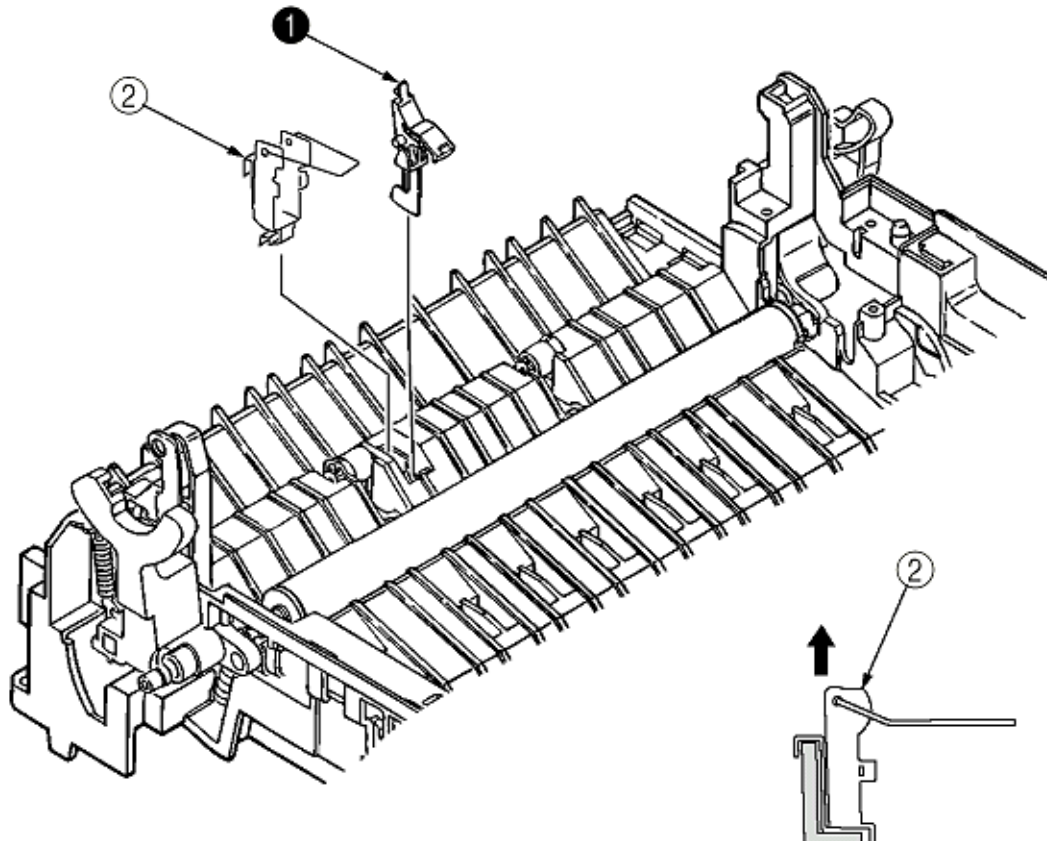
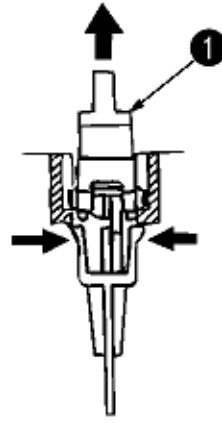
- (1) Remove the upper cover (see 3.3.1).
- (2) Remove the operator panel assy (see 3.3.3).
- (3) Remove the face up stacker assy (see 3.3.7)
- (4) Remove the lower base unit (see 3.3.4).
- (5) Press the clamps of three sensor plates (inlet and paper) (1), and remove them by pressing them upward from the bottom.



Copyright 2000, Oki Data, Division of OKI America, Inc. All rights reserved. See the Oki Data Business Partner Exchange (BPX) for any updates to this material. (<http://bpx.okidata.com>)

3.3.17 Sensor Plate (Outlet), Sensor Wire Assy

- (1) Remove the upper cover (see 3.3.1).
- (2) Remove the operator panel assy (see 3.3.3).
- (3) Remove the eject roller assy (see 3.3.8).
- (4) Remove the face up stacker assy (see 3.3.7)
- (5) Remove the lower base unit (see 3.3.4).
- (6) Remove the fusing unit assy (see 3.3.14)
- (7) Press the clamps of the sensor plate (outlet) (1), and remove the sensor plate by pushing it up.



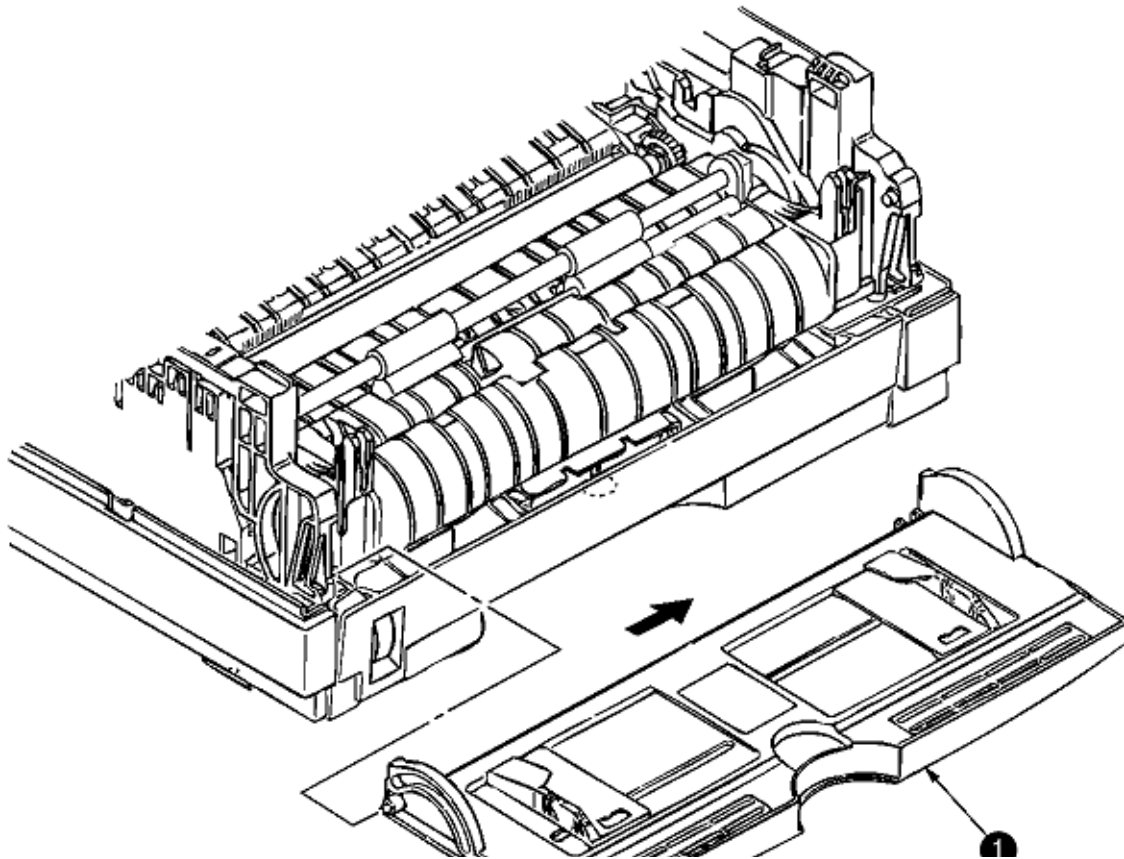
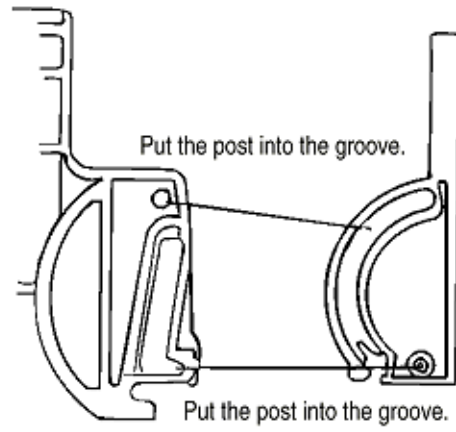
Copyright 2000, Oki Data, Division of OKI America, Inc. All rights reserved. See the Oki Data Business Partner Exchange (BPX) for any updates to this material. (<http://bpx.okidata.com>)

3.3.18 Manual Feed Guide Assy

(1) Remove the upper cover (see 3.3.1).

(2) Open the manual feed guide assy (1), and release the engagement on both sides with the main unit by carefully bending the manual feed guide assy (1).

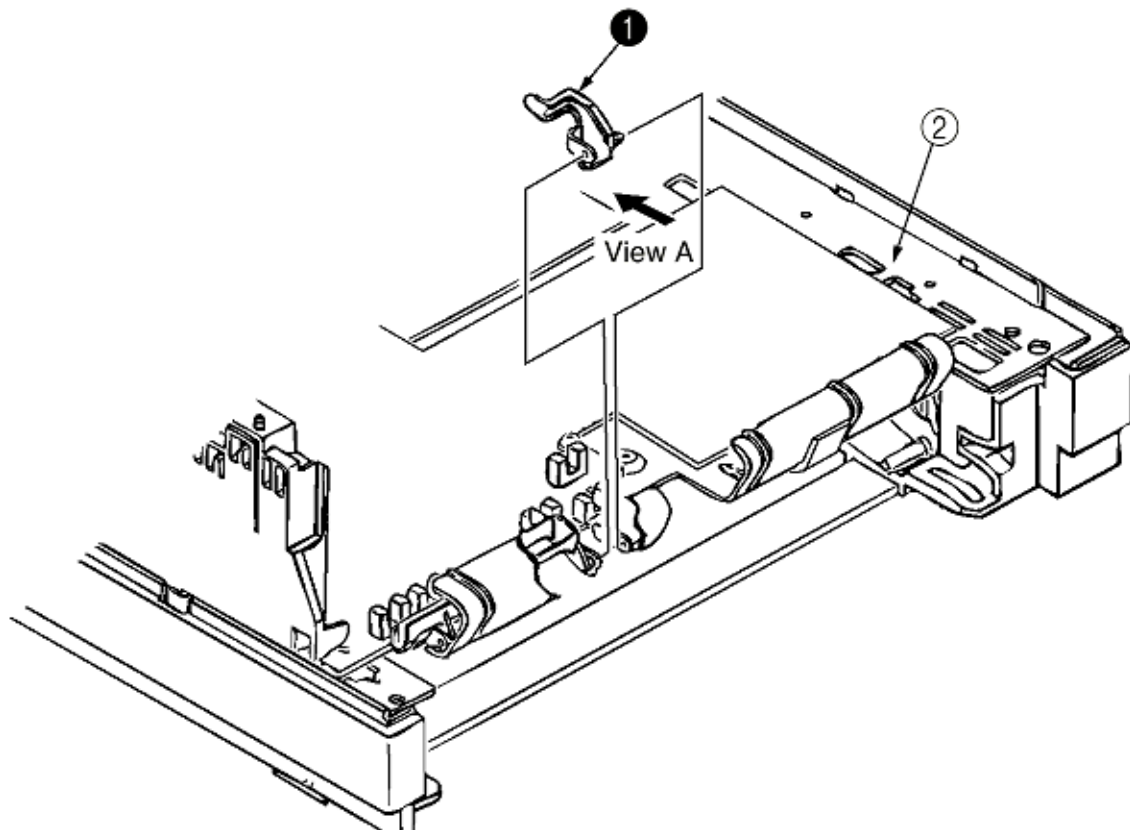
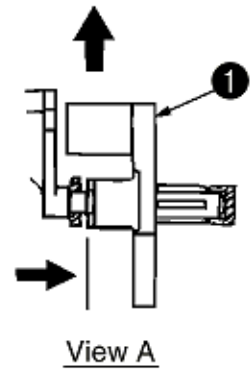
Note: At the time of mounting, verify the proper the engagements as shown in the diagram.



Copyright 2000, Oki Data, Division of OKI America, Inc. All rights reserved. See the Oki Data Business Partner Exchange (BPX) for any updates to this material. (<http://bpx.okidata.com>)

3.3.19 Sensor Plate (Paper Supply)

- (1) Remove the upper cover (see 3.3.1).
- (2) Remove the operator panel assy (see 3.3.3).
- (3) Remove the face up stacker assy (see 3.3.7)
- (4) Remove the lower base unit (see 3.3.4)
- (5) Press the clamps of the sensor plate (paper supply) (1) to unlock the latch, and remove it from the base plate (2).

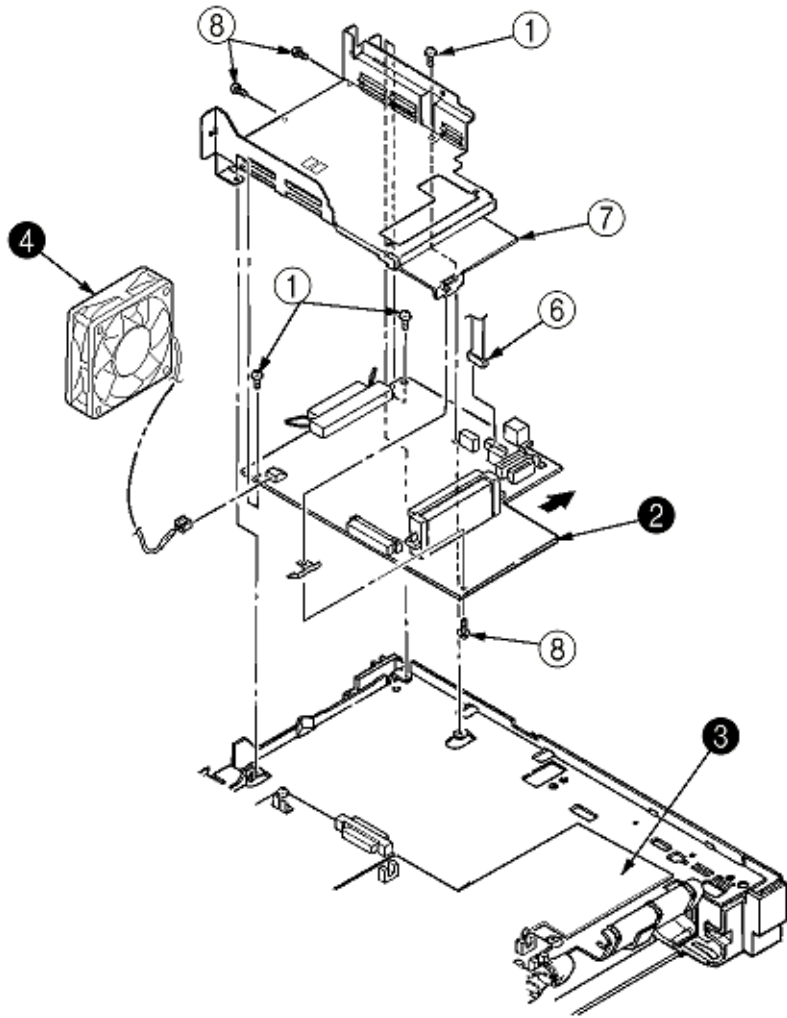


Copyright 2000, Oki Data, Division of OKI America, Inc. All rights reserved. See the Oki Data Business Partner Exchange (BPX) for any updates to this material. (<http://bpx.okidata.com>)

3.3.20 Main Control M7E-PCB

- (1) Remove the upper cover (see 3.3.1).
- (2) Remove the operator panel assy (see 3.3.3).
- (3) Remove the face up stacker assy (see 3.3.7)
- (4) Remove the lower base unit (see 3.3.4).
- (5) Remove the connector (2NDTRAY) (6).
- (6) Remove the screws (1).
- (7) Move the M7E-PCB Main Control Board (2) in the direction of arrow to disconnect it from the power supply/sensor board (3).
- (8) Remove the connector FAN, and disconnect the fan motor (4).
- (9) Remove the M7E-PCB Main Control Board (2), together with the PCB guide plate (remove the fan motor (4) at the same time).
- (10) Remove three screws (8) and remove the PCB guide plate (7) from the M7E-PCB Main Control Board (2).

Note: When reinstalling the M7E-PCB (2) onto the guide plate (7), be careful not to bend the base plate (it is desirable to place a block underneath it to prevent bending).



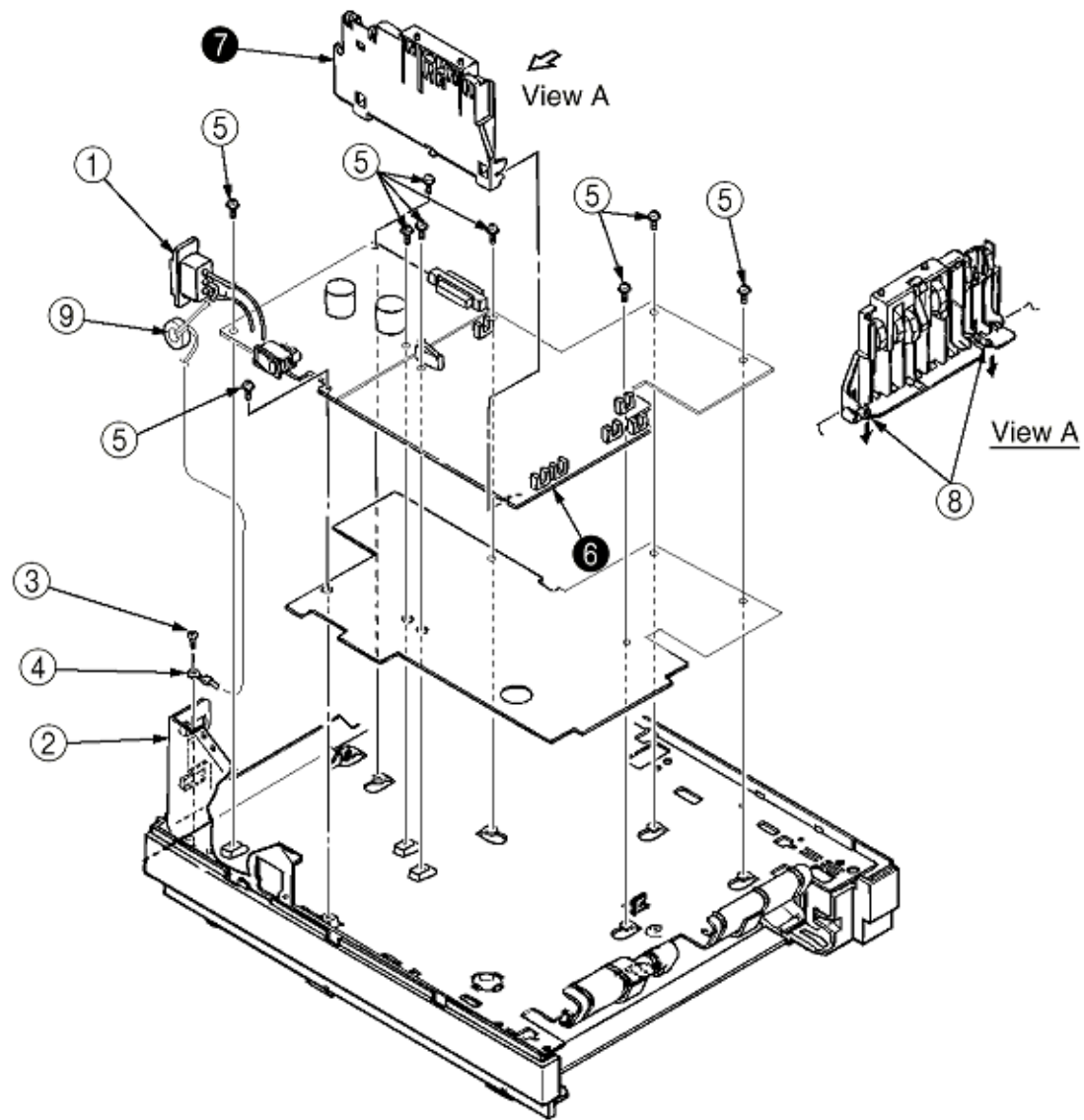
3.3.21 Power Supply/Sensor Board, High Voltage Unit and Contact Assy

- (1) Remove the upper cover assy (see 3.3.1).
- (2) Remove the lower base unit (see 3.3.4).
- (3) Remove the M7E-PCB (See 3.3.20).
- (4) Remove the AC inlet (1) from the base plate (2).
- (5) Remove the screw (3) and remove the grounding (earth) wire (4).
- (6) Remove the Ferite core (9) from the grounding wire.
- (7) Remove nine screws (5), and remove the power supply/sensor board (6) and contact assy (7) together.
- (8) Unlock two latches (8), and remove contact assy (7) from the power supply/sensor board (6).

Notes:

1. Be careful about the sensor (paper supply) when reinstalling the lower base.
2. Make sure that no excessive force is applied to the power supply switch.
3. When installing the power supply/sensor onto the base plate, be careful not to bend the base plate (it is desirable to place a block underneath it to prevent bending).

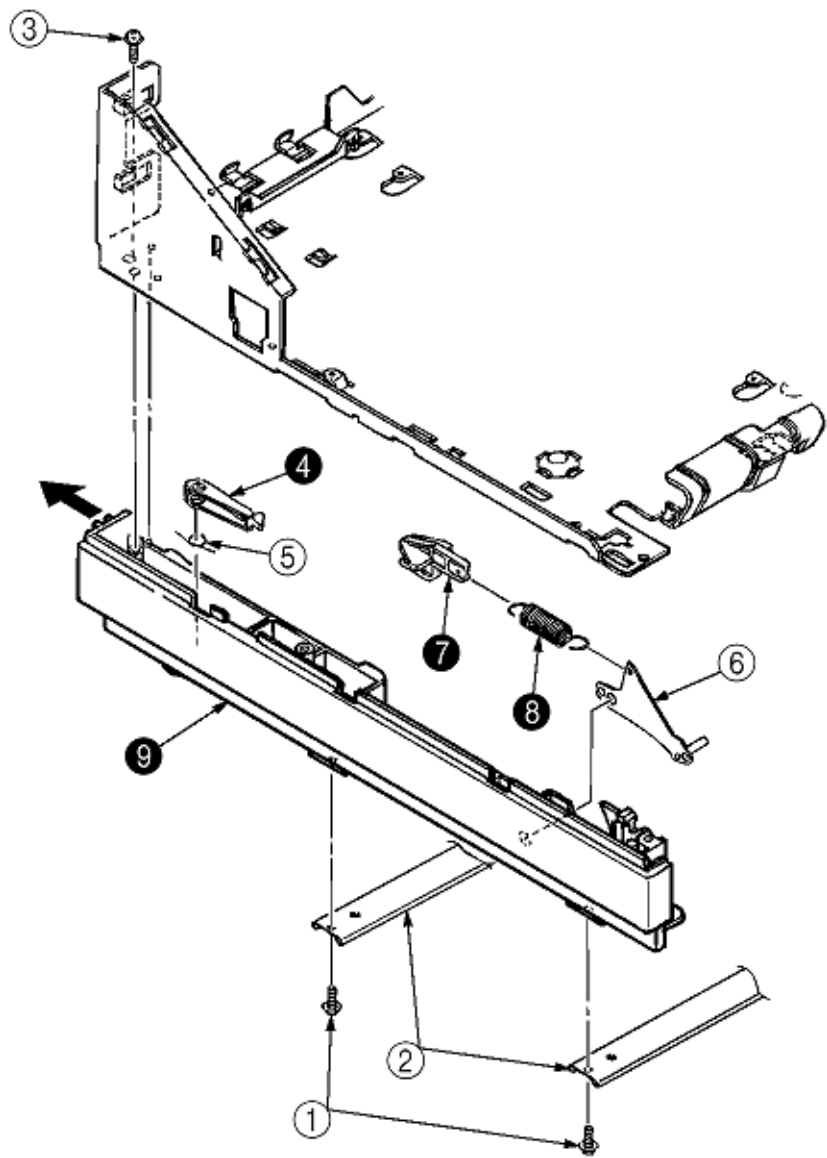
Note: When reinstalling the transformer, be sure to lay the AC and transformer's primary side cables under the divider (see view A diagram below).



Copyright 2000, Oki Data, Division of OKI America, Inc. All rights reserved. See the Oki Data Business Partner Exchange (BPX) for any updates to this material. (<http://bpx.okidata.com>)

3.3.22 Cassette Guide L Assy

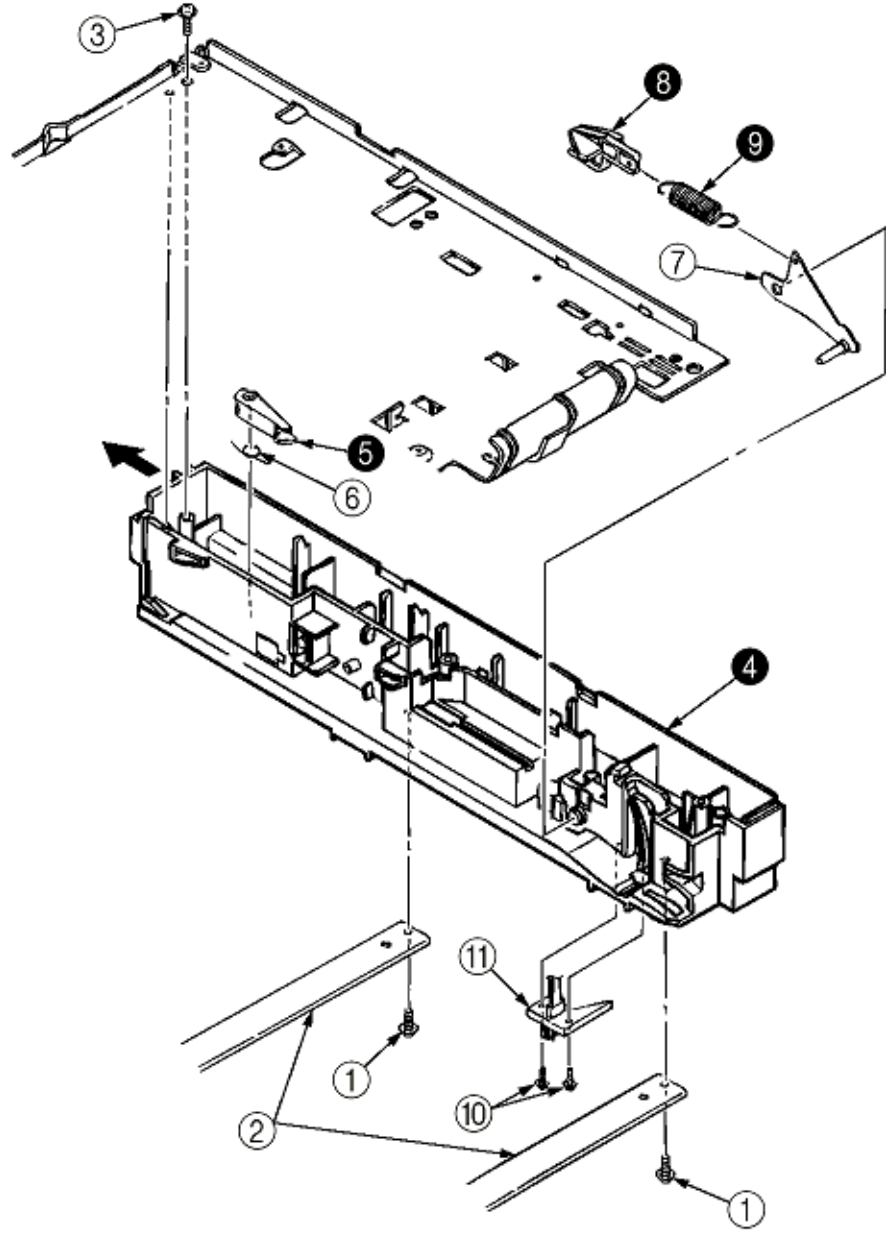
- (1) Remove the paper cassette.
- (2) Remove the upper cover (see 3.3.1).
- (3) Remove the lower base unit (see 3.3.4).
- (4) Remove the Main Control M7E-PCB (see 3.3.20)
- (5) Remove the power supply/sensor board (see 3.3.21)
- (6) Remove two screws (1), and remove the guide rails (2).
- (7) Remove the screw (3), and remove the cassette guide L (9) by shifting it in the direction of the arrow as shown below.
- (8) Remove cassette lock lever (4) and torsion spring (5).
- (9) Remove cassette lock lever spring (8) then remove the sheet link (L) (6) and Pull block (7).



Copyright 2000, Oki Data, Division of OKI America, Inc. All rights reserved. See the Oki Data Business Partner Exchange (BPX) for any updates to this material. (<http://bpx.okidata.com>)

3.3.23 Cassette Guide R Assy

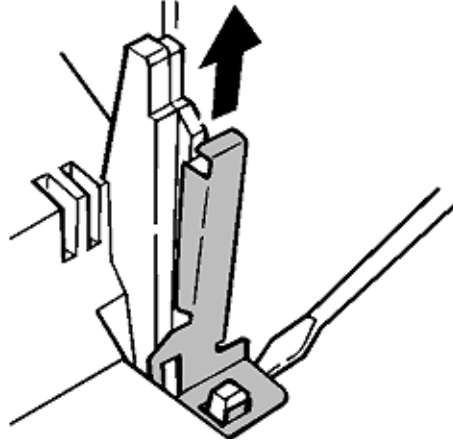
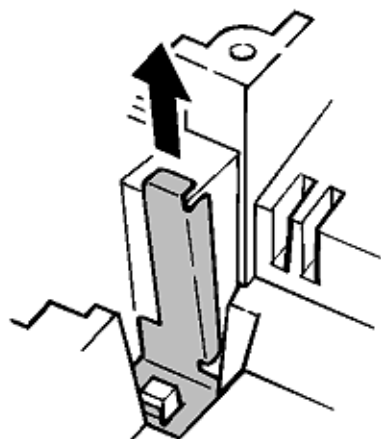
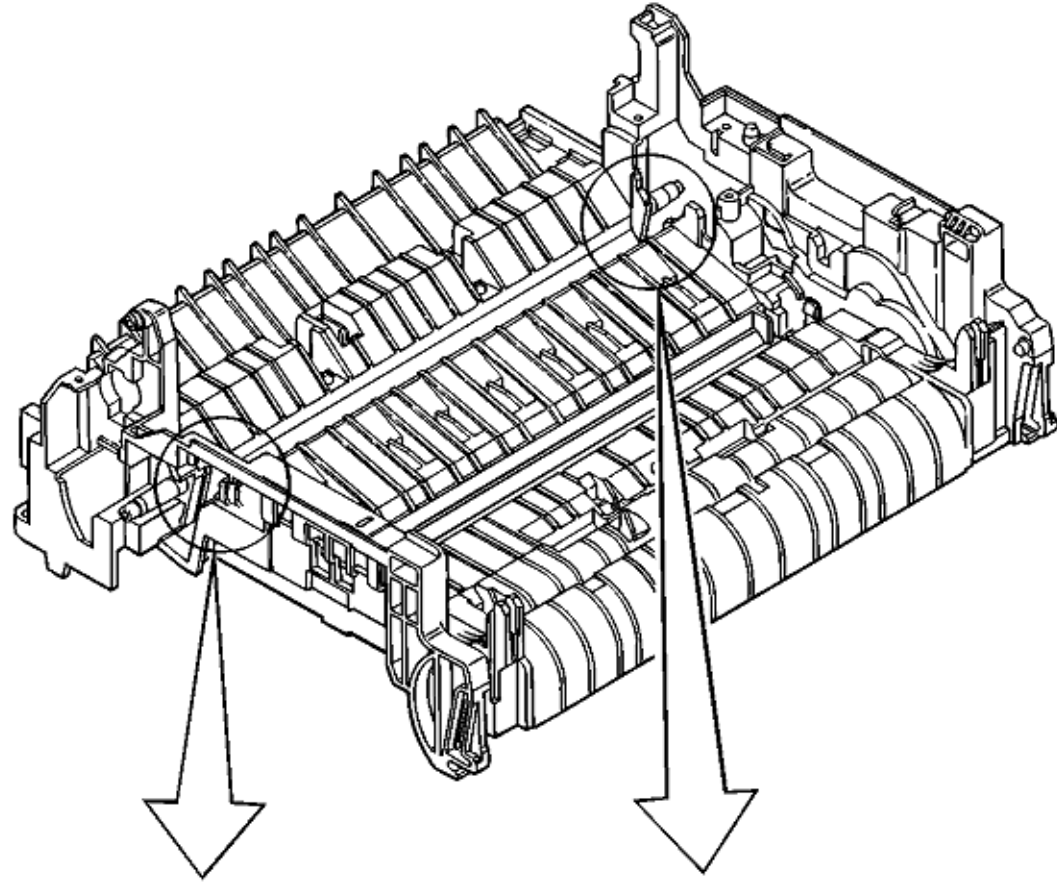
- (1) Remove the paper cassette.
- (2) Remove the upper cover assy (see 3.3.1).
- (3) Remove the lower base unit (see 3.3.4).
- (4) Remove the M7E-PCB (see 3.3.20).
- (5) Remove two screws (1), and remove the guide rails (2).
- (6) Remove the screw (3), and remove the cassette guide R (4) by shifting it in the direction of arrow.
- (7) Remove the cassette lock lever (5) and torsion spring (6).
- (8) Remove the cassette lock lever spring (9), then remove the sheet link (R) (7) and link pull block (8).
- (9) Remove two screws (10), and remove the square-shaped connector (11).



Copyright 2000, Oki Data, Division of OKI America, Inc. All rights reserved. See the Oki Data Business Partner Exchange (BPX) for any updates to this material. (<http://bpx.okidata.com>)

3.3.24 Spacer Bearing (L/R)

- (1) Remove the back-up roller (see 3.3.15).
- (2) Remove spacer bearing (L/R) with a tip of screw driver.



Copyright 2000, Oki Data, Division of OKI America, Inc. All rights reserved. See the Oki Data Business Partner Exchange (BPX) for any updates to this material. (<http://bpx.okidata.com>)

4. Adjustment

This chapter provides explanations concerning the adjustment necessary when replacing a part. The adjustment is made by changing the parameter value set in EEPROM on the main control board. The parameter can be set by the key operation from the operator panel. This printer has three kinds of maintenance modes, and it is necessary to select one of the modes when replacing any parts.

4.1 Maintenance Modes and Functions

4.2 Adjustment When Replacing a Part

4.1 Maintenance Modes and Functions

4.1.1 User Maintenance Mode

4.1.2 System Maintenance Mode

4.1.3 Engine Maintenance Mode

4.1.4 EEPROM Initialization

4.1.1 User Maintenance Mode

To enter into the user maintenance mode, turn the POWER switch on while holding the MENU key down.

Function

There are five functions as follows:

- Menu reset
- Opepane menu disable
- Hex dump
- X-adjust
- Drum counter reset
- Y-adjust
- Resource Save
- Receive buffer
- 2nd Tray
- Setting
- Place page command
- ECP disable
- Jam Recovery (Print Performance for continuous)
- Power Save disable

Detailed descriptions of these functions are provided in Appendix D, DIAGNOSTICS TEST.

4.1.2 System Maintenance Mode

This mode is used only by maintenance personnel and it should not be released to the end-users.

To enter into the system maintenance mode, turn the POWER switch on while holding the Recover key down.

Function

There are six functions as follows:

- Page count display
- Loop test
- Page count printing enable/disable
- EEPROM reset
- Rolling ASCII continues printing
- SIDM enable/ disable
- DRAM Memory Check mode

Detailed descriptions of these functions are provided in Appendix D, DIAGNOSTICS TEST.

4.1.3 Engine Maintenance Mode

Note: This mode is used only by maintenance personnel, and it should not be released to the end users.

- (1) To enter into the engine maintenance mode, turn the power on while holding ENTER and FORM FEED keys down.
- (2) Functions of this mode are selected by the menu.
- (3) The way to exit out of this mode varies depending on the settings.
- (4) There are following engine maintenance modes:
 - a) Head drive time setting - Sets the drive time of the LED head.
 - b) 600 x 1200 DPI strobetime relative value.
 - c) Installed LED head identification.
 - d) Printing start position setting - Sets the starting position of printing.
 - e) Drum count total display - The total image drum rotation count of the printer, as counted by the engine section, is displayed on the LCD.
 - f) Drum count display - The total image drum rotation count, as counted by the engine section, is displayed on the LCD.
 - g) Standard tray paper feeding quantity setting - Sets the amount of paper to be fed from the standard tray.
 - h) High Capacity Second Paper Feeder paper feeding quantity setting - Sets the amount of paper to be fed from High Capacity Second Paper Feeder.
 - i) High Capacity Second Paper Feeder downloading table selection - Selects the downloading table of High Capacity Second Paper Feeder.
 - j) Power Envelope Feeder paper feeding quantity setting - Sets the amount of paper to be fed from Power Envelope Feeder.
 - k) Power Envelope Feeder downloading table selection - Selects the downloading table of Power Envelope Feeder.
 - l) Engine Test
 - m) Engine Reset - All EEPROM areas used by the engine section are reset to factory default values. (See Table 4-1) After reset, the printer returns to normal operating mode.

Note: "Printing start position setting" is for shipping. Do not change its default value.

Detailed descriptions of these functions are provided in Appendix D, DIAGNOSTICS TEST.

(BPX) for any updates to this material. (<http://bpx.okidata.com>)

4.1.4 EEPROM Initialization

The corresponding are the EEPROM is initialized for each event as shown in Table 4-1.

No.	EEPROM Area	Menu Level 1	Menu Level 2	F/W revision area	Customer Information	User maintenance area Note1)	System maintenance area Note1)	Engine maintenance area Note1)	Drum counter	Fuser counter	Page counter
1	User maintenance menu reset	○									
2	System maintenance EEPROM reset	○	○			○	○				
3	Engine maintenance engine reset							○	○	Note2)	Note2)
4	Firm revision check error at power-on	○	○	○		○	○				
5	Customer setting	○	○		○	○	○				
6	User information error	○	○		○	○	○				

○ = Represents initialization

Note1) Items of each maintenance menu which are subjects here are listed in the following table.

Note2) Only when the page counter is 500 sheets or less it is reset to 0.

Table 4-1 Items of Each Maintenance Menu Targeted for EEPROM Reset

User maintenance menu area	System maintenance menu area	Engine maintenance menu area
Resource save	Whether a page counter printing is added or not to a menu printing	No items subjected to. All except counters are subjected

Receiving buffer	SIDM emulation switch enable/disable	to reset.
Operator panel menu function enable/disable		As a common spec.
X / Y Adjust		
2ND feed destination		
Left alignment based printing shift		
Cleaning cycle		
Jam recovery Enable/Disable		

Copyright 2000, Oki Data, Division of OKI America, Inc. All rights reserved. See the Oki Data Business Partner Exchange (BPX) for any updates to this material. (<http://bpx.okidata.com>)

4.2 Adjustment When Replacing a Part

Adjustment is necessary when replacing any of the following parts.

Part Replaced	Adjustment
Image Drum Cartridge	Reset the image drum counter (refer to User's Manual).
Main Control Board	EEPROM data Upload / Download

4.2.1 Uploading/Downloading EEPROM data

4.2.1 Uploading/Downloading EEPROM data

When the controller printed circuit board is replaced, the contents of the old EEPROM shall be copied to the new EEPROM on the new board to preserve customer settings. For the purpose, use the EEPROM operation on the Option of the Maintenance Utility. To copy follow the steps below.

- (1) Be sure to confirm that the printer and the PC are connected with a centronics I/F cable. Then execute the Maintenance Utility. (Note: Printer driver shall be deinstalled.)
- (2) Select the Option on the Maintenance Utility.
- (3) Click the "UPLOAD EEPROM" button on the "EEPROM Operations".
- (4) The contents of the EEPROM data is displayed on the "DIALOG" of the Maintenance Utility. The contents of the old EEPROM is now copied into the memory of the PC.
- (5) Replace the controller P.C.B. with a new one while it displays the above "DIALOG".
- (6) After the replacement, click "Download EEPROM" on the "EEPROM Operations". EEPROM upload has been completed.

In case of troubles such as centronics I/F failure, etc. EEPROM data may not be uploaded properly. In such case, it is necessary to adjust the following settings manually after the replacement using the Maintenance Utility.

- Factory setting (ODA/OEL/INT-A/INT-L)

The maintenance utility is designed to be used only by field engineer and it should not be released to the end-users.

5.1 Periodical Replacement Parts

Part name	Condition for replacement	Cleaning	Remarks
Toner cartridge (Type 5)	About 2,000 sheets of paper have been printed	LED head	Consumables
Toner cartridge (Type 8)	About 4,000 sheets of paper have been printed.	LED head	Consumables
Image drum cartridge (Type 5)	About 20,000 sheets of paper have been printed. See 1.4 (14)		Consumables

5.2 Cleaning

Remove any toner or dust accumulated inside the printer. Clean in and around the printer with a piece of cloth when necessary. Use the handy cleaner (service tool) to clean inside the printer.

Note: Do not touch the image drum, LED lens array, or LED head connector block.

5.2.1 Cleaning of LED Lens Array

5.2.2 Cleaning Page Function

5.2.1 Cleaning of LED Lens Array

Clean the LED lens array or replace the toner cartridge when white lines or stripes (void, light printing) are generated vertically down the page, as shown below.

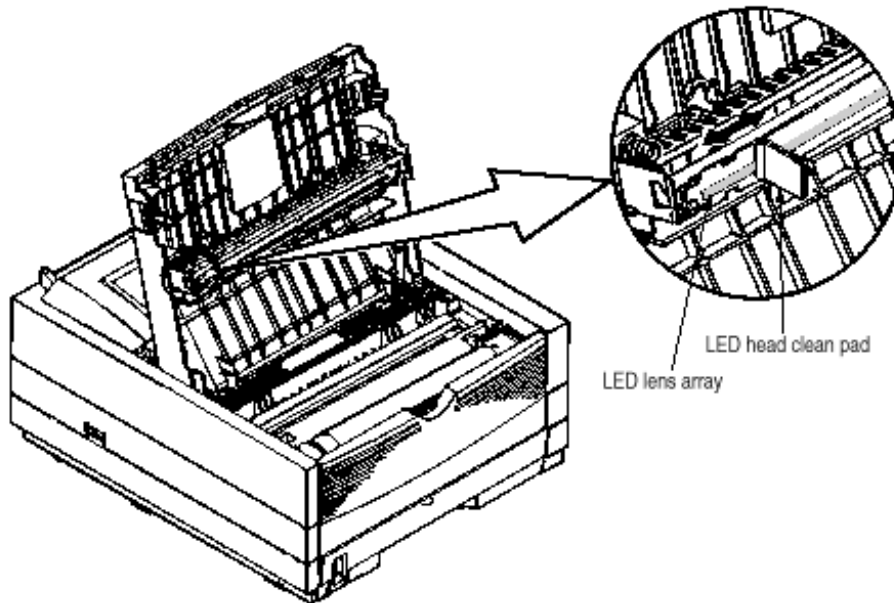
Note: The LED lens array must be cleaned with an LED head cleaner included in the replacement toner kit.

White lines or stripes
(void, light printing)



(1) Set the LED head cleaner to the LED lens array as shown in the figure, then slide the cleaner back and forth horizontally several times to clean the head.

Note: Gently press the LED head cleaner onto the LED lens array.



(2) Throw the cleaner pad away.

5.2.2 Cleaning Page Function

There is a charge roller cleaning function with this printer, which can be executed by the user.

- (1) While the printer is in off-line mode, press both ◀ and ▶ keys simultaneously for at least 2 seconds. The printer enters the cleaning mode.
- (2) The LCD displays "CLEANING" on the upper line, and on the lower line, "MANUAL LETTER REQUEST" is displayed, scrolling one character width at a time from right to left "LETTER" on the lower line may instead be "A4" depending on the printer designation. While the lower line scrolls the message, the message on the upper line remains fixed in place. When the above messages appear on the LCD, the user can verify that the printer has entered the cleaning mode and that it is requesting insertion of a letter (or A4) size paper into the manual feederslot.
- (3) Insert a sheet of paper into the manual feeder slot.
- (4) Toner attached to the image drum is transferred onto the inserted sheet, and the sheet is ejected with the toner residues printed. While this process is going on, the LCD displays "PRINT CLEANING" message.
- (5) The printer returns to off-line mode.

6.1 Troubleshooting Tips

- (1) Check the problem solving section in the Printer Handbook.
- (2) Gather as much information about the situation as possible.
- (3) Inspect the equipment under the conditions close to those in which the problem had occurred.

6.2 Points to Check before Correcting Image Problems

- (1) Is the printer being run in proper ambient conditions?
- (2) Are supplies (toner) and routine replacement part (image drum cartridge) being replaced properly?
- (3) Is the printing paper normal (acceptable quality)?
- (4) Is the image drum cartridge being loaded properly?

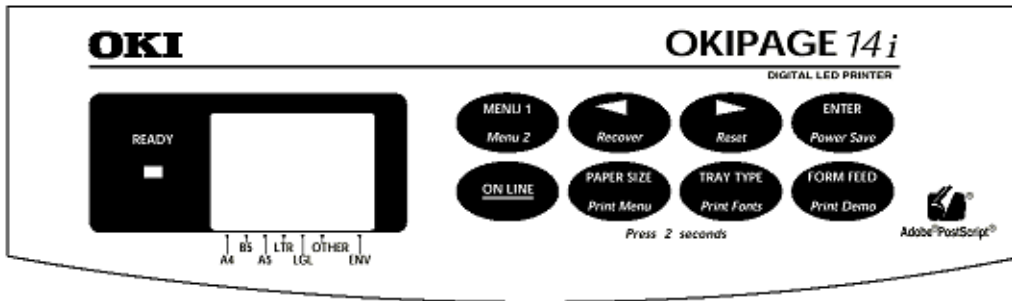
6.3 Tips for Correcting Image Problems

- (1) Do not touch, or bring foreign matter into contact with the surface of the image drum.
- (2) Do not expose the image drum to direct sunlight.
- (3) Keep hands off the fuser unit as it heats up during operation.
- (4) Do not expose the image drum to light for longer than 5 minutes at room temperature.

6.4 Preparation for Troubleshooting

(1) Operator panel display

The failure status of the printer is displayed by the liquid crystal display (LCD) of the operator panel. Take proper corrective action as directed by messages which are being displayed on the LCD.



Status message display

Ready LED display

	: Off		: Blinking
	: On		: Undefined

6.5 Troubleshooting Flow

Should there be a problem with the printer, carry out troubleshooting according to the following procedure flow:

6.5.1 LCD Status Message/Problem List

The status and problems which may be displayed by messages on the LCD are listed in Table 6-1.

6.5.2 LCD Message Troubleshooting



Copyright 2000, Oki Data, Division of OKI America, Inc. All rights reserved. See the Oki Data Business Partner Exchange (BPX) for any updates to this material. (<http://bpx.okidata.com>)

6.5.1 LCD Status Message/Problem List


The status and problems which may be displayed by messages on the LCD are listed in Table 6-1 below.


n = Exception

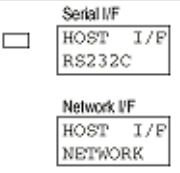

aaaaaaaa = Error address

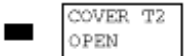


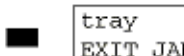
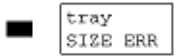

Category	LCD status message	Code (nn)	Problem or Status Error	Remedy
Control errors			An error occurred in the controller	<p>- Normal operation cannot be ensured. Turn the power off, then back on to restart.</p> <p>- If normal operation is not recovered by this restart procedure, replace the main control board.</p> <p>Note 1) Since this printer uses NKK4, this error that will result in Coprocessor Instruction Exception Interrupt will not occur.</p>
		1-3 D-F	Reserved	
		4	Address Error Exception (Load command, command fetch)	
		5	Address Error Exception (Store command)	
		6	Bus Error Exception (Command fetch)	
		7	Bus Error Exception (Load command, store command)	
		8	System Call Extension	
		9	Break Point Exception	
		A	Reserved Instruction Exception	
		B	Coprocessor Unusable Exception	
		C	Arithmetic Overflow Exception	
			An error occurred in the controller.	

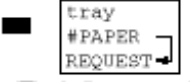
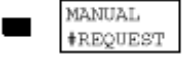
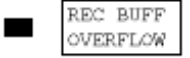
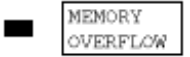
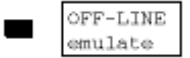
		Code (nn)	Error	following remedial actions. Remedy
		10	An error was detected by program ROM check.	Replace the main control board.
		20	An error was detected by font ROM check.	Replace the main control board.
		30	An error was detected by resident RAM check.	Replace the main control board.
		40	An error was detected by EEPROM check.	Replace the EEPROM or main control board.
		41	EEPROM installation error. OP14i have 16Kbit EEPROM and this error is indicated when 4Kbit EEPROM is installed.	Replace the EEPROM or main control board.
		50	An error was detected by PS program ROM check.	Replace the main board.
		51	An error was detected by Flash SIMM.	Check the optional Flash SIMM for proper connection or replace it.
		52	PS only can't happen.	Can't Happen
		53	PS only undefined sys call.	Can't Happen
		60	An error was detected by optional RAM check.	<ul style="list-style-type: none"> - Check the optional RAM board for proper connection. - Check the mounting position of short plugs and additional RAM chips (see Section 7.4). - Replace the optional RAM board.
		61	Data bus Error between Cas and	Check the optional DRAM SIMM for proper connection or replace it.








			Data bus for Option DRAMs.	
		70	A failure occurred with the Fan motor.	<ul style="list-style-type: none"> - Check the fan motor for proper connection and for any presence of foreign matter in the fan (see Section 6.5.2 (6)). - Replace the fan or the main control board.
		71	A failure occurred with the fuser (timeout error etc).	See Section 6.5.2 (4).
controller errors (continued)	 ERROR nn	72	A failure occurred with the fuser (thermistor open error).	See Section 6.5.2 (4).
		73	A failure occurred with the fuser (thermistor short error).	See Section 6.5.2 (4).
		74	SSIO Error	<ul style="list-style-type: none"> - Check the connection between the main control board and the power supply/sensor board. - Replace the main control board or power supply/sensor board.
		77	A toner sensor fault has occurred when the TOTAL DRUM COUNT is 30 or less.	<ul style="list-style-type: none"> - Check the installation of image drum unit. - Replace the power supply/sensor board.
		79	LED Head Type Error	- Replace the correct LED Head.
		80	I/F timeout occurred between the main control board and the operator panel.	<ul style="list-style-type: none"> - Check the operator panel for proper connection. - Replace the flexible cable, operator panel or main control board.
		90	A watchdog timer timeout occurred.	<ul style="list-style-type: none"> - Turn the power off, then back again. - Replace the main control board.
		91	CPU Error	Note: When replacing the main control board, be sure to install the EEPROM from the old board onto the new board.
		F0	Monitor error (double weight)	
		F1	Monitor error (argument error)	
		F2	Optional Timeout	See Section 6.5.2 - (5).








			error	
		F3	Optional status error	
		F4	BG program error.	<ul style="list-style-type: none"> - Turn the power off, then back on again. - Replace the main control board. <p>Note: when replacing the main control board, be sure to install the EEPROM from the old board onto the new board.</p>
Controller errors (continued)		F5	System timer program error. Defect in the cable of the front feeder paper sensor and the 2-pin connector on the main control board. Poor connection of connectors.	<ul style="list-style-type: none"> - Turn the power off, then back on again. - Repair or replace the defective front feeder paper sensor cable and 2-pin connector on the main control board or reconnect the connectors. - Replace the main control board.
		F6	IPT2 program error	<ul style="list-style-type: none"> - Turn the power off, then back on again. - Replace the main control board.
		F7	IPT1 program error	<ul style="list-style-type: none"> - Turn the power off, then back on again. - Replace the main control board.

Category	LCD status message	Problem or status	Remedy
Interface errors		An error occurred in the serial I/F. This message is displayed when a parity error, a framing error or an overrun error is detected. (When an error occurred in serial I/F).	<ul style="list-style-type: none"> - Press the operator panel <i>RECOVER</i> key to release the error display. <p>When serial I/F board has been installed:</p> <ul style="list-style-type: none"> - Check the settings related serial I/F of the menu. - Replace the serial I/F cable or main control board.
Cover open		The upper cover was opened.	<ul style="list-style-type: none"> - Close the cover to release the error display. - If the display does not change after this procedure, replace the power supply/sensor board.
Cover open		The High Capacity Second	<ul style="list-style-type: none"> - Close the cover to release the



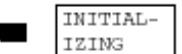
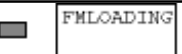

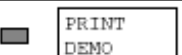

		<p>Paper Feeder option cover was opened.</p>	<p>error display.</p> <ul style="list-style-type: none"> - Check the connection between the main control board and TQSB-2-PCB. - Replace the main control board TQSB-2-PCB or connector.
Jam errors		<p>A jam occurred during paper hopping from the tray.</p> <p>tray: TRAY1, TRAY2, FEEDER, MANUAL</p>	<ul style="list-style-type: none"> - Check the paper in the cassette. Open and then close the cover. When the cover is closed, recovery printing is performed and the error display is released. - If this error occurs frequently, see Section 6.5.2(2)-1.
Jam errors		<p>A jam occurred during paper feeding after completion of paper hopping from the tray.</p> <p>tray: TRAY1, TRAY2, FEEDER</p>	<ul style="list-style-type: none"> - Open the cover, remove the paper, then close the cover. When the cover is closed, recovery printing is performed and the error displayed is released. - If this error occurs frequently, see Section 6.5.2(2)-2.
Jam errors		<p>A jam occurred during paper ejecting.</p> <p>tray: TRAY1, TRAY2, FEEDER, MANUAL</p>	<ul style="list-style-type: none"> - Open the cover, remove the paper, then close the cover. When the cover is closed, recovery printing is performed and the error display is released. - If this error occurs frequently, see Section 6.5.2(2)-3.
Paper size error		<p>Paper of improper size is being fed from the tray.</p> <p>tray: TRAY1, TRAY2, FEEDER</p>	<ul style="list-style-type: none"> - Check the paper in the tray or check to see if more than one sheet of paper were being fed simultaneously. - Set the designated paper in the tray. - Open the cover, then close it to perform recovery printing and release the error display. - If this error occurs frequently, see Section 6.5.2(2)-3.
Tray paper out		<p>The tray has run out of paper.</p> <p>tray: TRAY1, TRAY2, FEEDER</p>	<p>Load paper in the tray.</p>
Size error		<p>Loading of paper indicated</p>	<p>Load the requested paper in the</p>

	 (The indicate rotate)	by the first line message is requested. The paper size may be one of the followings: Paper: LETTER, EXECUTIV, LEGAL 14, LEGAL 13, A4 SIZE, A5 SIZE, A6 SIZE, B5 SIZE, COM-9, COM-10, MONARCH, DL ENV, C5 ENV	tray.
Size error	 (The indicate rotate)	Manual loading of paper indicated by the first line message is requested. The paper size may be one of the followings: LETTER, EXECUTIV, LEGAL 14, LEGAL 13, A4 SIZE, A5 SIZE, A6 SIZE, B5 SIZE, FREE SIZE, COM-10, MONARCH, DL ENV, C5 ENV	Load the requested paper in the tray.
Buffer overflow		The receive buffer is overflowing.	<ul style="list-style-type: none"> - Press the operator panel <i>RECOVER</i> key on the operator panel to release the error display. - Change the setting of the host or printer so that the host can detect the busy status of the printer. Resend the data from the host to the printer. - Replace the interface cable or main control board.
Buffer overflow		The page buffer is overflowing because it received too much data for printing on the page. Macro buffer is overflowing. The DLL buffer is overflowing.	<ul style="list-style-type: none"> - Press the <i>RECOVER</i> key to release the error display. - Install additional optional RAM board or reduce the print data.
Daily status		The printer is in the off-line mode. The second line indicates the emulation.	Normal operation.



		emulate: AUTO, PCL, PPR, FX, HEX	
Daily status	 ACTIVE	The printer is processing data.	Normal operation.
Daily status	 PRINTING	The printer is printing a page.	Normal operation.
Daily status	 DATA emulate	The printer is processing data in the on-line mode. READY ON: The data that is not printed remains in the buffer. Ready flashing: The printer is receiving data or in printing process. emulate: AUTO, PCL, PPR, FX, HEX	Normal operation.
Daily status	 PRINT FONTS	All fonts of the printer are being printed during self-test. Ready ON: Executed by command entry. Ready flashing: Executed by key operation.	Normal operation.
Daily status	 PRINT MENU	The current menu setting is being printed. Ready ON: Executed by command entry. Ready flashing: Executed by key operation.	Normal operation.
Daily status	 	Message displayed when the power is turned on. When the power is turned on, the LEDs are turned on for approximately 1 second, conducting a test to verify the conditions of the LEDs and LCD.	Normal operation.
Daily status		Message displayed to	Normal operation.

	 INITIAL-IZING	<p>indicate that the controller is undergoing an initialization when the power is turned on. This message is displayed after the turning on the LEDs as described above.</p>	
Daily status	 FMLOADING	<p>Indicates in Hold mode due to downloading to flash memory.</p>	Normal operation.
Daily status	 FM ERROR	<p>Indicates that an error occurs during downloading to flash memory or deleting.</p>	Normal operation.
Daily status	 PRINT DEMO	<p>The demo page is being printed.</p> <p>Ready LED on: Executed by command entry. Ready LED blinking: Executed by key operation.</p>	Normal operation.
Daily status	 nnn/mmm	<p>When the number of copies being printed is two or more, the number of copies being printed is displayed. This message is displayed together with another message on the first line.</p> <p>nnn : Current page mmm : Total page</p>	Normal operation.
Daily status	 PRINT CLEANING	<p>This message is displayed when the printer is performing the cleaning print.</p>	Normal operation.
Daily status	 CLEANING MANUAL# (The indicate rotate)	<p>Manual loading of paper indicated by the second line message is bring requested for cleaning. The paper size (#) may be one of the following:</p> <p># : LETTER REQUEST, A4 SIZE REQUEST</p>	Normal operation.

Daily status	<input checked="" type="checkbox"/> PLUSHING (PS Only)	PostScript mode only. This message is displayed during canceling of a job. The message goes off when the job cancellation is completed.	Normal operation.
Daily status	<input checked="" type="checkbox"/> RESET	The data which remained unprinted in the buffer is deleted and the printer is initialized to user default settings. The temporary DLLs, macros and user pattern are deleted.	Normal operation.
Buffer overflow	<input checked="" type="checkbox"/> PRINT OVERRUN	The printer overrun because the print data is too complicated to be printed.	- Press the <i>RECOVER</i> key on the operator panel to release the error display. - Simplify page data formatting.
Daily status	<input checked="" type="checkbox"/> OFF-LINE emulate	The printer is in the off-line mode. The second line indicates the emulation. emulate: AUTO, PCL, PPR, FX, HEX	Normal operation.
Daily status	<input checked="" type="checkbox"/> ACTIVE	The printer is processing data.	Normal operation.
Daily status	<input type="checkbox"/> PRINTING	The printer is printing a page.	Normal operation.
Daily status	<input type="checkbox"/> DATA emulate	The printer is processing data in the on-line mode. READY ON: The data that is not printed remains in the buffer. Ready flashing: The printer is receiving data or in printing process. emulate: AUTO, PCL, PPR, FX, HEX	Normal operation.
Daily status	<input checked="" type="checkbox"/> PRINT FONTS	All fonts of the printer are being printed during self-test.	Normal operation.
Daily status		The current menu setting is being printed.	Normal operation.

		Ready ON: Executed by command entry. Ready flashing: Executed by key operation.	
Daily status		Message displayed when the power is turned on. When the power is turned on, the LEDs are turned on for approximately 1 second, conducting a test to verify the conditions of the LEDs and LCD.	Normal operation
Daily status		Message displayed to indicate that the controller is undergoing an initialization when the power is turned on. This message is displayed after the turning on of the LEDs as described above.	Normal operation.
Daily status		Indicates in Cold mode due to downloading to flash memory.	Normal operation.
Daily status		Indicates that an error occurs during downloading to flash memory or deleting.	Normal operation.
Daily status		The demo page is being printed: Ready LED on: Executed by command entry. Ready LED blinking: Executed by key operation.	Normal operation.
Daily status		When the number of copies being printed is two or more, the number of copies being printed is displayed. The message is displayed together with another message on the first line. nnn : Current page	Normal operation.

		mmm : Total page	
Daily status	<input type="checkbox"/> PRINT CLEANING	This message is displayed when the printer is performing the cleaning print.	Normal operation.
Daily status	<input checked="" type="checkbox"/> CLEANING MANUAL# (The indicate rotate)	Manual loading of paper indicated by the second line message is being requested for cleaning. The paper size (#) may be one of the following: # : LETTER REQUEST, A4 SIZE REQUEST	Normal operation.
Daily status	<input checked="" type="checkbox"/> RESET	The data which remained unprinted in the buffer is deleted and the printer is initialized to user default settings. The temporary DLLs, macros and user pattern are deleted.	Normal operation.
Daily status	<input checked="" type="checkbox"/> RESET TO SAVE	This message is displayed when the printer cannot reset automatically to exit from the menu because there are date and DLL's and macros having temporary attributes when the printer is changed from set mode to another mode.	Normal operation.
Daily status	<input type="checkbox"/> TONERLOW	Toner is running out. This message is displayed together with another message on the first line. Normal operation can be continued.	Replace the toner cartridge.
Daily status	<input type="checkbox"/> TONERSNS	A fault occurred with the toner sensor. This message is displayed together with another message on the first line. Normal operation can be continued.	Replace the power supply/sensor board.
Daily status	<input type="checkbox"/> TONEREMP	Displays that the amount of toner is near empty (this	

		status will appear after 100 sheets from a TONER LOW indication). It is indicated by being combined with other messages in the first line. Normal operation can be continued.	
Daily status	 <div style="border: 1px solid black; padding: 2px; display: inline-block; text-align: center;"> TONEREMP CHG CART </div>	Displays that the amount of toner is nearly empty. After 100 sheets from a TONER LOW indication, this status will appear and the printing be stopped. If pressing ON-LINE SW, other 31 sheets can be printed and stopped. And from the next time on, the printing is stopped each sheet.	
Daily status	<input type="checkbox"/> <div style="border: 1px solid black; padding: 2px; display: inline-block; text-align: center;"> CHG DRUM </div>	This message is displayed together with another message on the first line. Normal operation can be continued.	<ul style="list-style-type: none"> - Replace the image drum cartridge. - After replacing the drum cartridge, reset the drum counter. (Refer to the Printer Handbook).
Daily status	<input type="checkbox"/> <div style="border: 1px solid black; padding: 2px; display: inline-block; text-align: center;"> NO PS </div>	Unavailable printer language was designated by PJL command (warning).	<ul style="list-style-type: none"> - To clear, press RECOVER key when "CLEARABLE WARNINGS=ON" is being selected in the menu. - Check the host program.
Daily status	<input type="checkbox"/> <div style="border: 1px solid black; padding: 2px; display: inline-block; text-align: center;"> PWR SAVE </div>	Informs drum life end. It can be temporarily released by opening and closing the cover or pressing the "ON LINE" switch, but basically, the drum must be replaced.	Normal operation.
Daily status	<input type="checkbox"/> <div style="border: 1px solid black; padding: 2px; display: inline-block; text-align: center;"> ERROR PS AdobePS (PS Only) </div>	PostScript mode only. This message appears when the interpreter detects an error while a job is being processed. The remainder of the job is ignored.	<ul style="list-style-type: none"> - Check the printer setting of the host. - Check the printer job data to see if there is any unsupported or illegal operation in the data.
Daily status	 <div style="border: 1px solid black; padding: 2px; display: inline-block; text-align: center;"> CHG DRUM </div>	Informs drum life end. It can be temporarily released by opening and closing the cover or pressing the "ON LINE" switch, but basically,	

Daily status	<input type="checkbox"/> EEPROM RESET'NG	<p>the drum must be replaced.</p> <p>Indicates an error from the result of checking EEPROM ID No. The printer will display this for a few seconds and reset the EEPROM to the factory default for a continuous operation. It will occur with a new EEPROM.</p>	
Daily status	<input type="checkbox"/> ROM-SIMM ERROR	<p>Reformat error including CPCMCIA HEADER or ROM-SIMM and byte sum. It will be displayed for 2 seconds at power-on or just before a shift to ON LINE.</p>	

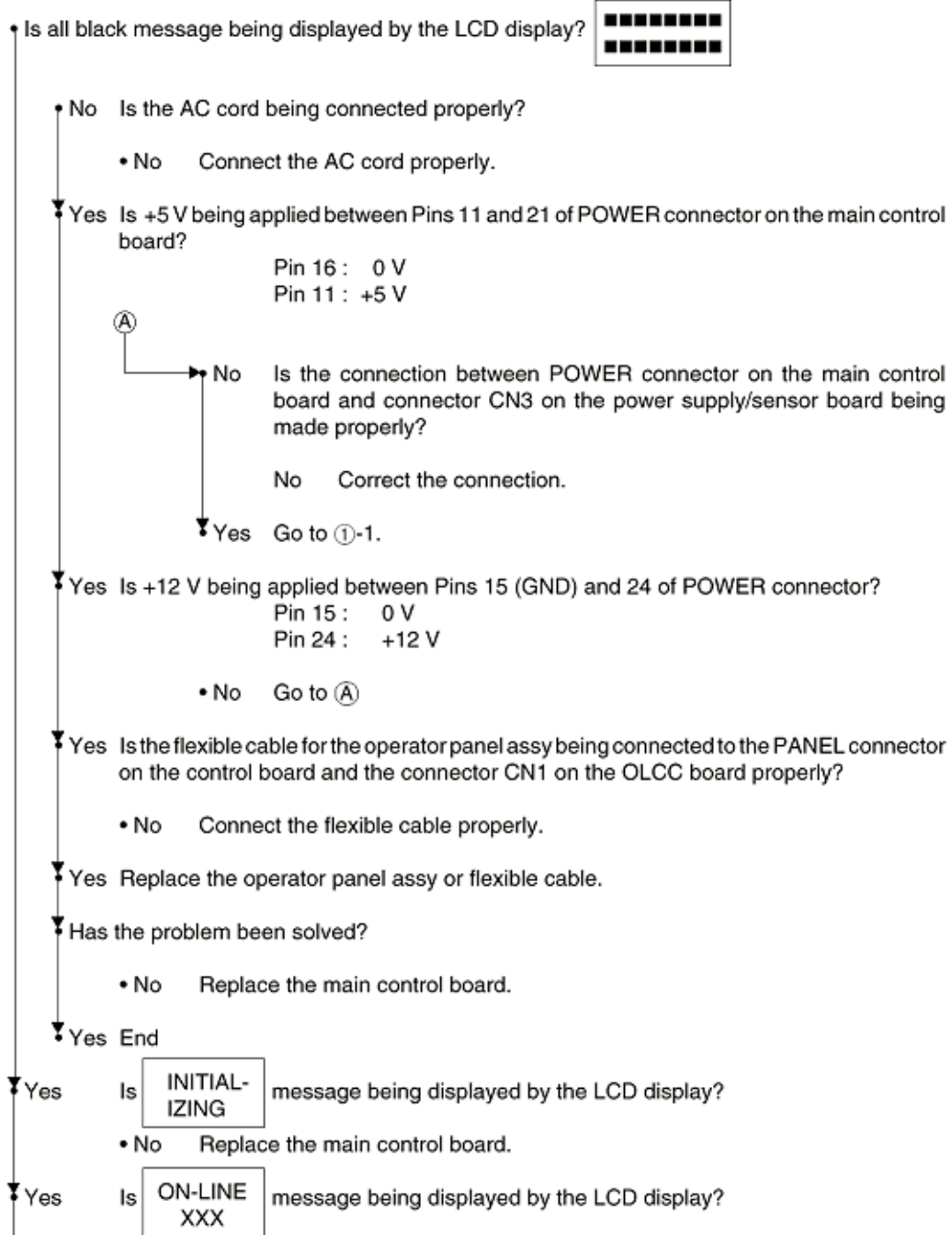
6.5.2 LCD Message Troubleshooting

If the problems cannot be corrected by using the LCD status message/problem list, follow the troubleshooting flowcharts given here to deal with them.

No.	Trouble	Flowchart number
1.	The printer does not work normally after the power is turned on.	(1)
2.	Jam alarm <ul style="list-style-type: none">● Paper input jam● Paper feed jam● Paper exit jam	(2) - 1 (2) - 2 (2) - 3
3.	Paper size error	(3)
4.	Fusing unit error	(4)
5.	SSIO (Synchronous Serial Input/Output) error I/F timeout (no response) between the printer and an optional tray (High Capacity Second Paper Feeder, Power Envelope Feeder).	(5)
6.	Fan error	(6)

(1) The printer does not work normally after the power is turned on.

• Turn the power off, then back on.



①-1

Take the measurement of the following voltage readings at connector CN3 on the power supply board without main control board:

Voltage between Pins 11 and 16: ... 5VDC

Voltage between Pins 17 and 16: ... about 30VDC

Voltage between Pins 24 and 16: ... 12VDC

Yes Replace the power supply unit.

(2) [JAM error]

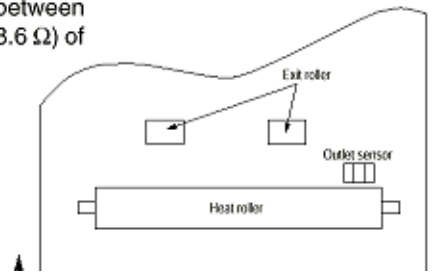
Paper input jam

Paper feed jam

Paper exit jam

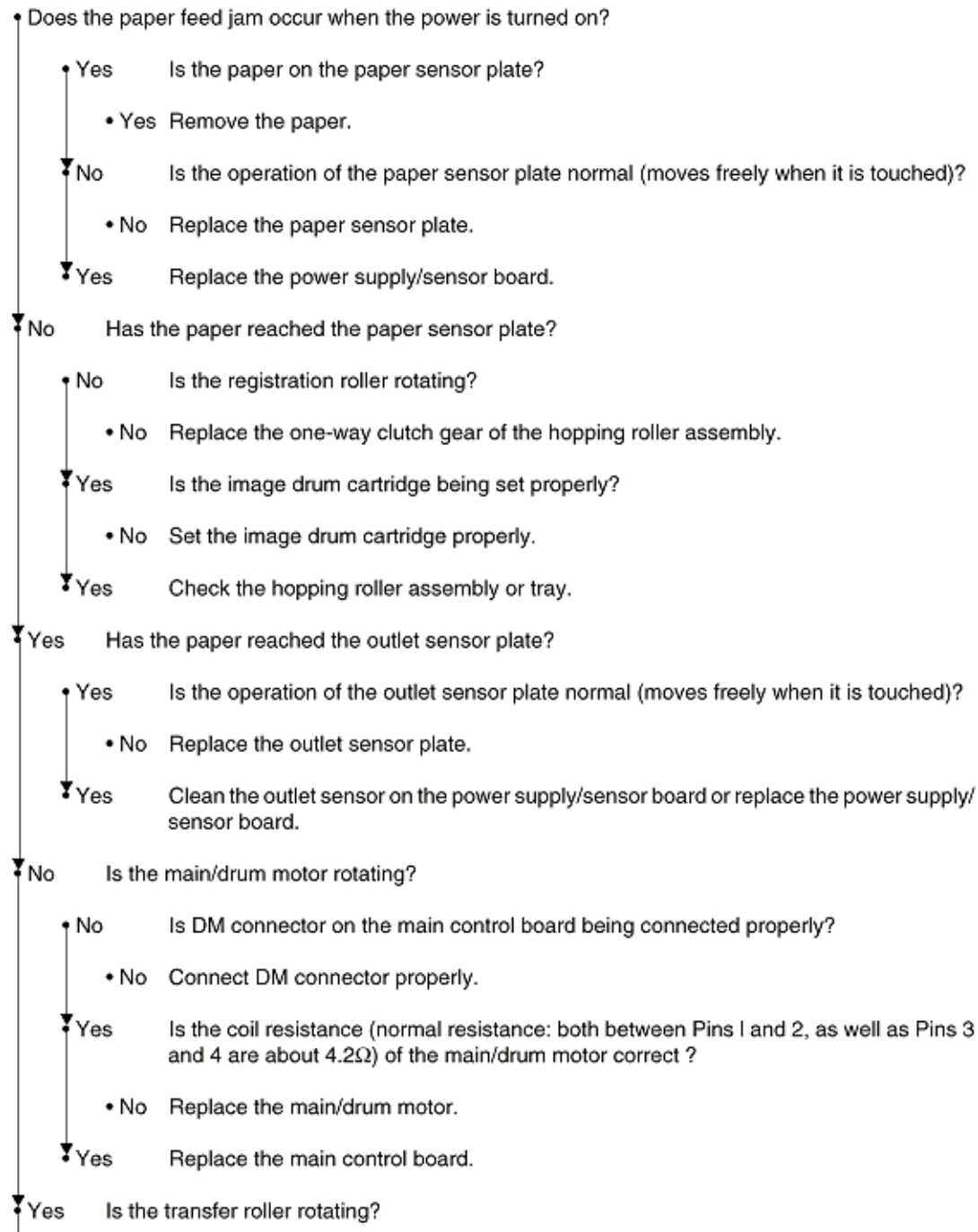
Paper input jam

- Does the JAM error occur when the power is turned on?
 - Yes Is the paper at the inlet sensor?
 - Yes Remove the paper.
 - No Is the operation of the inlet sensor plate normal (moves freely when it is touched)?
 - No Replace the inlet sensor plate.
 - Yes Clean the inlet sensor on the power supply/sensor board, or replace the power supply/sensor board.
- No Does the JAM alarm occur after paper feeding?
 - Yes Is the paper fed to the inlet sensor plate?
 - Yes Is the operation of the input sensor plate normal (moves freely when it is touched)?
 - No Replace the inlet sensor plate.
 - Yes Clean the inlet sensor on the power supply/sensor board or replace the power supply/sensor board.
 - No Replace the hopping roller rubber or paper cassette.
- No Is the hopping roller rotating?
 - Yes Set the paper tray properly.
- No Is the registration motor rotating?
 - Yes Replace the one-way clutch gear of the hopping roller assembly.
- No Is RM connector on the main control board being connected properly?
 - No Connect RM connector properly.
- Yes Is the coil resistance (normal resistance: both between Pins 1 and 2, as well as Pins 3 and 4 are about 18.6 Ω) of the registration motor normal?
 - No Replace the registration motor.
- Yes Replace the main control board.



Copyright 2000, Oki Data, Division of OKI America, Inc. All rights reserved. See the Oki Data Business Partner Exchange (BPX) for any updates to this material. (<http://bpx.okidata.com>)

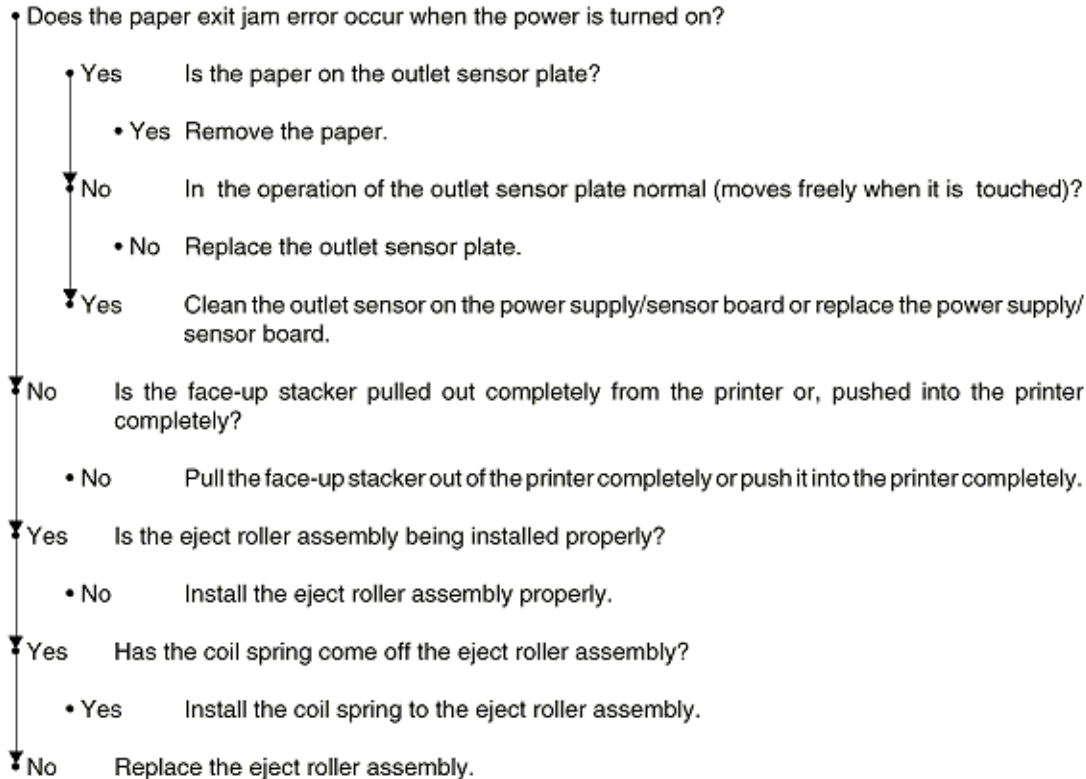
Paper feed jam



②-2-a

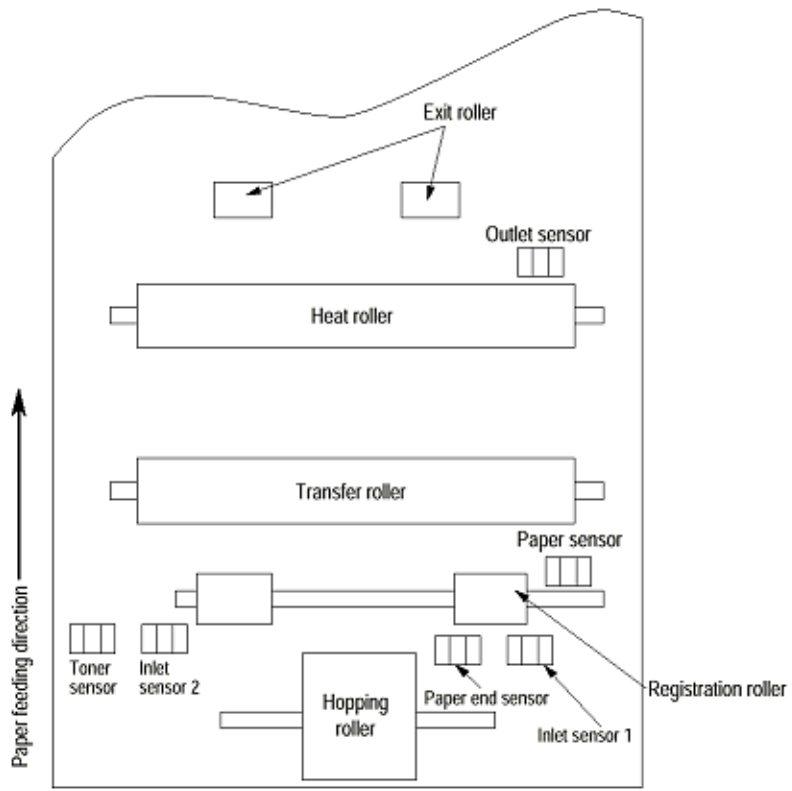
- No Check the gears (transfer roller gear, idle gear and reduction gear).
- ▼ Yes Is the fusing unit being installed properly?
 - No Install the fusing unit properly.
- ▼ Yes Is the image drum cartridge being set properly?
 - No Set the image drum cartridge properly.
- ▼ Yes Clean the paper sensor on the power supply/sensor board or replace the power supply/sensor board.

Paper exit jam



(3) Paper size error

- Is paper of the specified size being used?
 - No Use paper of the specified size.
- ▼ Yes Are inlet sensor plates 1 and 2 operating properly (moves freely when they are touched)?
 - No Replace the inlet sensor plate or clean the inlet sensor on the power supply/sensor board.
- ▼ Yes Does the outlet sensor plate operate properly (moves freely when it is touched)?
 - No Replace the outlet sensor plate or clean the outlet sensor on the power supply/sensor board.
- ▼ Yes Replace the power supply/sensor board.



Copyright 2000, Oki Data, Division of OKI America, Inc. All rights reserved. See the Oki Data Business Partner Exchange (BPX) for any updates to this material. (<http://bpx.okidata.com>)

(4) Fusing unit error (ERROR 71) (ERROR 72) (ERROR 73)

• Turn the power off, then back on again.

• Yes Is the thermistor open or shorted? Measure the resistance between thermistor contacts (heater contacts 120V/3Ω or 240V/10Ω, and thermistor contacts 220KΩ at room temperature) (see Figure 6-2 or Section 7.3).

• Yes Replace the fusing unit.

• No Do the thermistor contacts touch the contact assembly properly when the fusing unit is mounted in the printer?

• No Adjust the contacts of the contact assembly.

• Yes Is the heater of the fusing unit turned on (when the heater is turned on, light is emitted)?

• Yes Check the thermistor contacts or replace the main control board or the fusing unit.

• No Is the AC voltage being supplied to the connector for the heater of the power supply board? (see Figure 6-2)

• No Replace the main control board or the power supply/sensor board.

• Yes Check the heat contacts of the fusing unit and the contact assembly for poor contact (see Figure 6-4 contact ⑥).

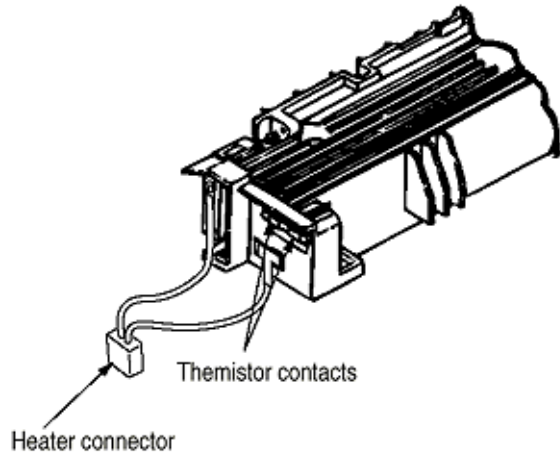
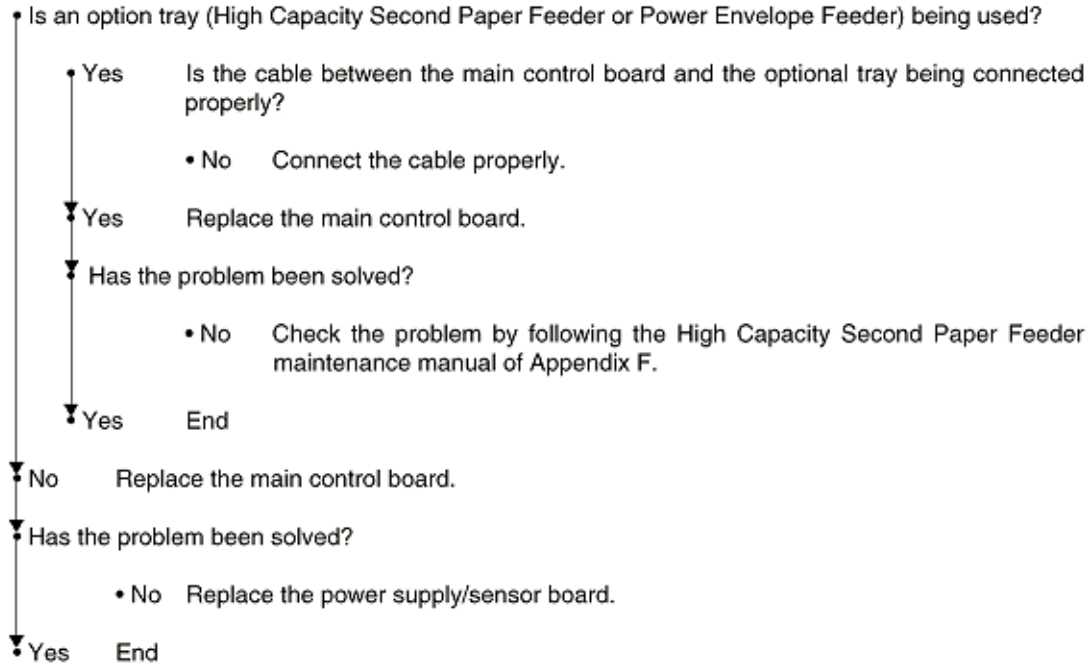
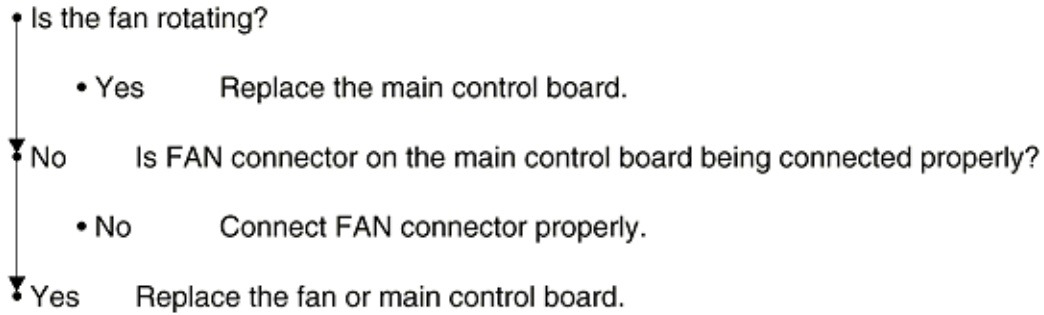


Figure 6-2

(5) SSIO error (ERROR 74)



(6) Fan error (ERROR 70)



6.5.3 Image Troubleshooting

Procedures for troubleshooting for the cases of abnormal image printouts are explained below. Figure 6-3 below shows typical abnormal images.

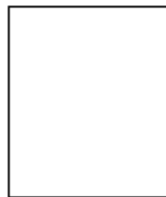
Problem	Flowchart number
Images are light or blurred entirely (Figure 6-3, A)	(1)
Dark background density (Figure 6-3, B)	(2)
Blank paper is output (Figure 6-3, C)	(3)
Vertical block belt/black stripe (Figure 6-3, D)	(4)
Cyclical defect (Figure 6-3, E)	(5)
Print void	(6)
Poor fusing (images are blurred or peeled off when touched by hands)	(7)
White vertical belt/white stripe (Figure 6-3, F)	(8)



A Light or blurred images entirely



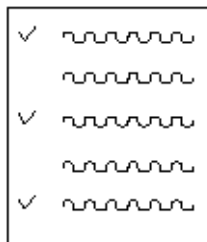
B Dark background density



C Blank paper



D Black vertical stripes



E Cyclical defect



F White vertical belts or streaks

Figure 6-3 Image Problems

Copyright 2000, Oki Data, Division of OKI America, Inc. All rights reserved. See the Oki Data Business Partner Exchange (BPX) for any updates to this material. (<http://bpx.okidata.com>)

(1) Images are light or blurred entirely

• Is toner low (is the TONER LOW message displayed)?

- Yes Supply toner.

▼ No Is paper of the specified grade being used?

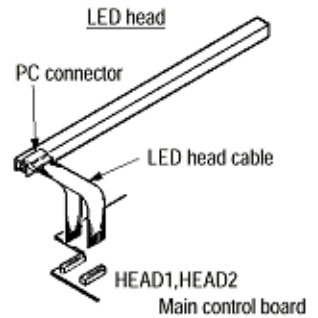
- No Use paper of the specified grade.

▼ Yes Is the lens surface of the LED head dirty?

- Yes Clean the lens.

▼ No Is the LED head being installed properly (check the HEAD1 and HEAD2 connectors of the main control board and PC connector on the LED head for proper connection)?

- No Install the LED head properly.



▼ Yes Is the contact plate of the transfer roller in contact with the contact assembly of the power supply/sensor board properly (see Figure 6-5)?

- No Adjust the contact plate of the transfer roller to make a proper contact with the power supply/sensor board and shaft of the transfer roller.

▼ Yes Are the contact of the developing roller and the contact of the toner supply roller of the image drum cartridge in contact with the contact assembly properly (see Figure 6-4 (A) and (B))?

- No Adjust the contacts of the developing and toner supply roller to make a proper contact with the contact assembly.

▼ Yes Replace the transfer roller.

▼ Has the problem been solved?

- Yes End

▼ No Replace the image drum cartridge.

▼ Has the problem been solved?

- Yes End

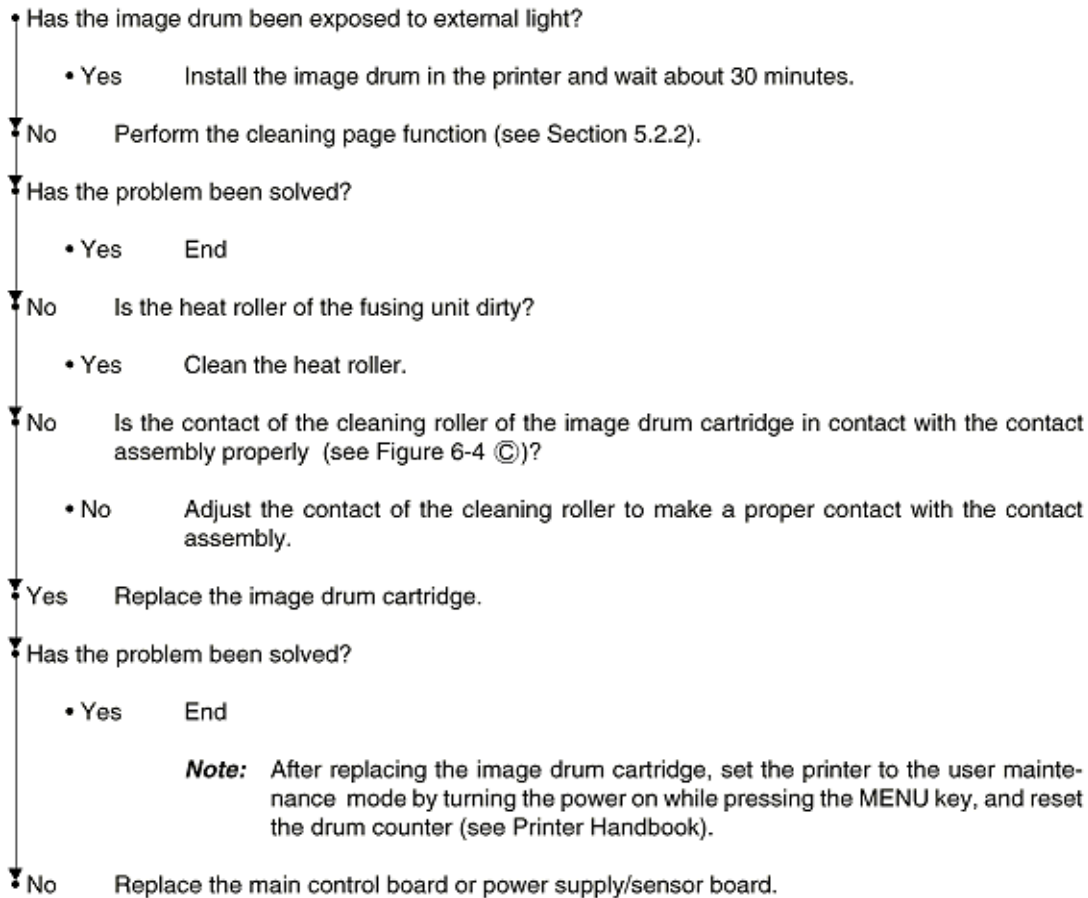
Note: After replacing the image drum cartridge, set the printer in the user maintenance mode by turning the power on while pressing the MENU key and reset the drum counter (see Printer Handbook).

▼ No Is the tension between the back-up roller (7.52kg) and the surface of back-up roller normal?

- No Replace the back-up roller or bias spring.

Copyright 2000, Oki Data, Division of OKI America, Inc. All rights reserved. See the Oki Data Business Partner Exchange (BPX) for any updates to this material. (<http://bpx.okidata.com>)

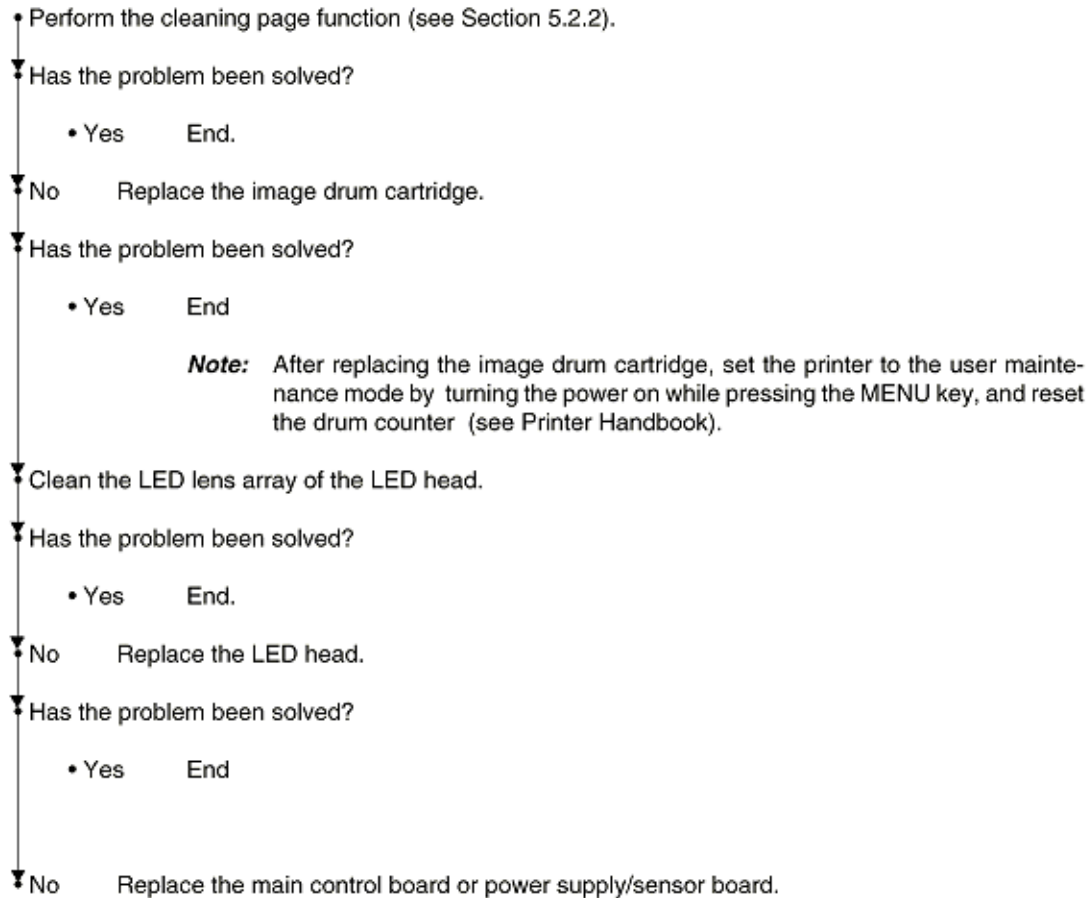
(2) Dark background density



(3) Blank paper is output

- Is the LED head being connected properly (check the HEAD1 and HEAD2 connectors on the main control board and PC connector on the LED head)?
 - No Connect the LED head properly or replace the head cable(s).
- ▼ Yes Is the contact of the image drum cartridge in proper contact with the ground contact properly (see Figure 6-4 ©)?
 - No Adjust the ground contact (Drum) of the contact assembly.
- ▼ Yes Replace the LED head.
- ▼ Has the problem been solved?
 - Yes End
- ▼ No Replace the main control board or power supply/sensor board.

(4) Black vertical belts or stripes

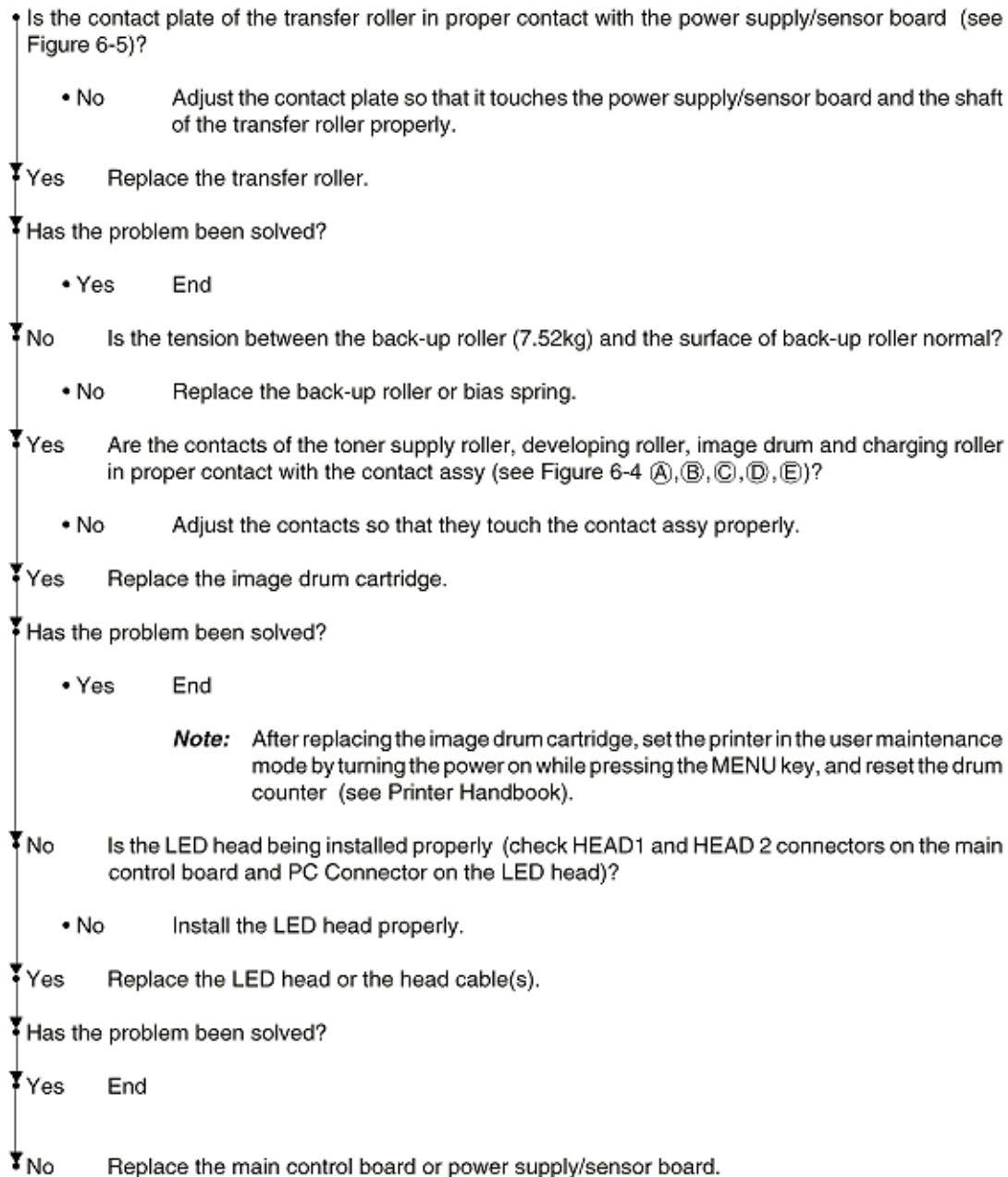


(5) Cyclical defect

	Frequency	Remedy
Image Drum	3.71" (94.2mm)	Clean or replace the image drum unit.
Developing roller	1.86" (47.12mm)	Replace the image drum unit.
Toner supply roller	2.96" (75.27mm)	Replace the image drum unit.
Charging roller	1.21" (30.63mm)	Replace the image drum unit.
Cleaning roller	0.93" (23.56mm)	Replace the image drum unit.
Transfer roller	1.95" (49.6mm)	Replace the image drum unit.
Heat roller	2.44" (62.0mm)	Replace the heat roller.
Back-up roller	2.73" (69.4mm)	Replace back-up roller.

Note: After replacing the image drum cartridge, set the printer to the user maintenance mode by turning the power on while pressing the MENU key, and reset the drum counter (see Printer Handbook).

(6) Prints voids



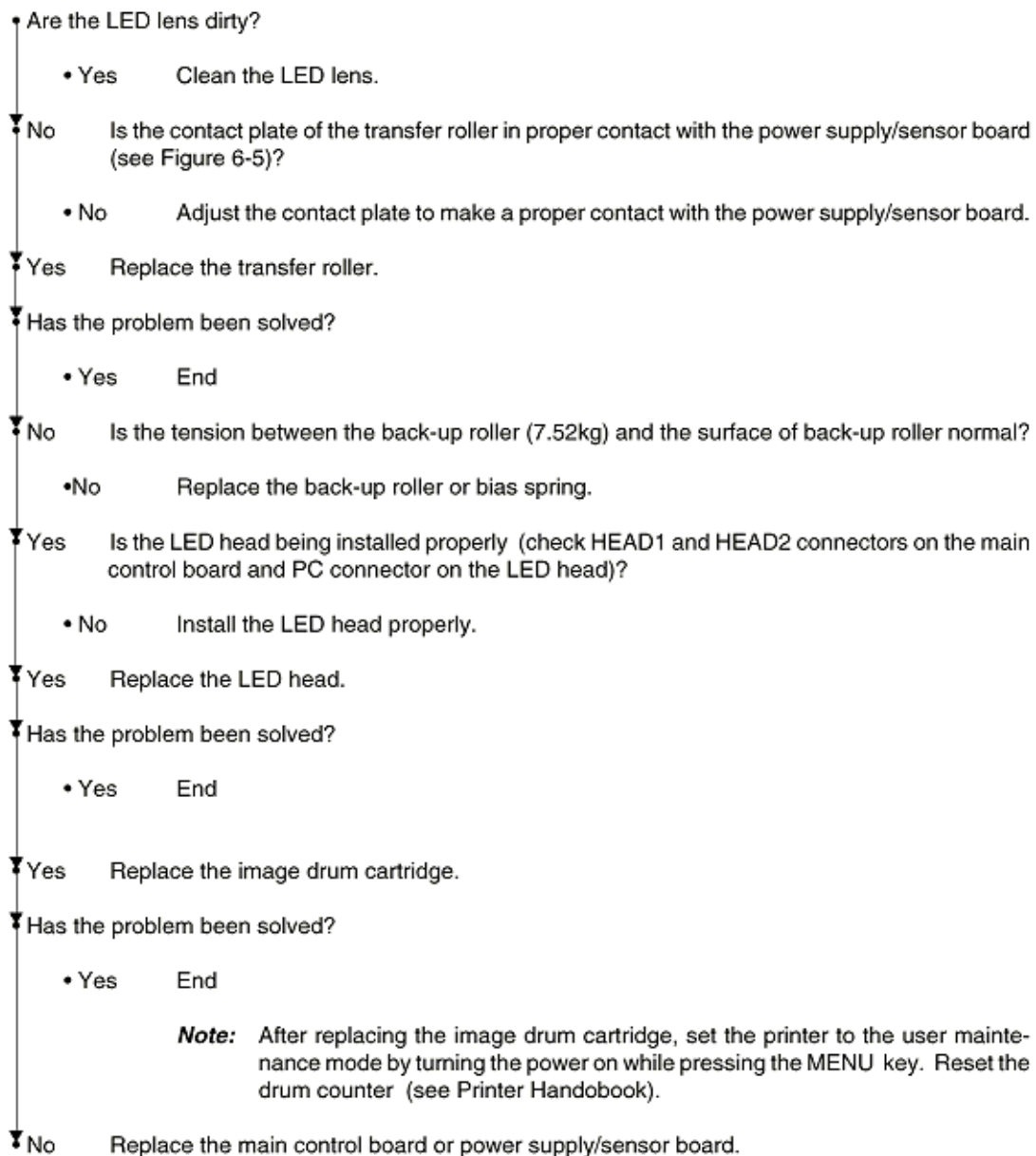
Copyright 2000, Oki Data, Division of OKI America, Inc. All rights reserved. See the Oki Data Business Partner Exchange (BPX) for any updates to this material. (<http://bpx.okidata.com>)

(7) Poor fusing

Poor fusing (images are blurred or peels off when the printed characters and images on the paper are touched by hand)

- Is paper of the specified grade being used?
 - No Use paper of the specified grade.
- ▼ Yes Is the tension between the back-up roller (7.52kg) and the surface of back-up roller normal?
 - No Replace the back-up roller or bias spring.
- ▼ Yes Is the connector of the fusing unit assy on the power supply board being connected properly?
 - No Connect the fusing unit connector properly.
- ▼ Yes Replace the fusing unit assy.
- ▼ Has the problem been solved?
 - Yes End
- ▼ No Replace the main control board or power supply/sensor board.

(8) White Vertical belts or streaks



Copyright 2000, Oki Data, Division of OKI America, Inc. All rights reserved. See the Oki Data Business Partner Exchange (BPX) for any updates to this material. (<http://bpx.okidata.com>)

Figure 6-4

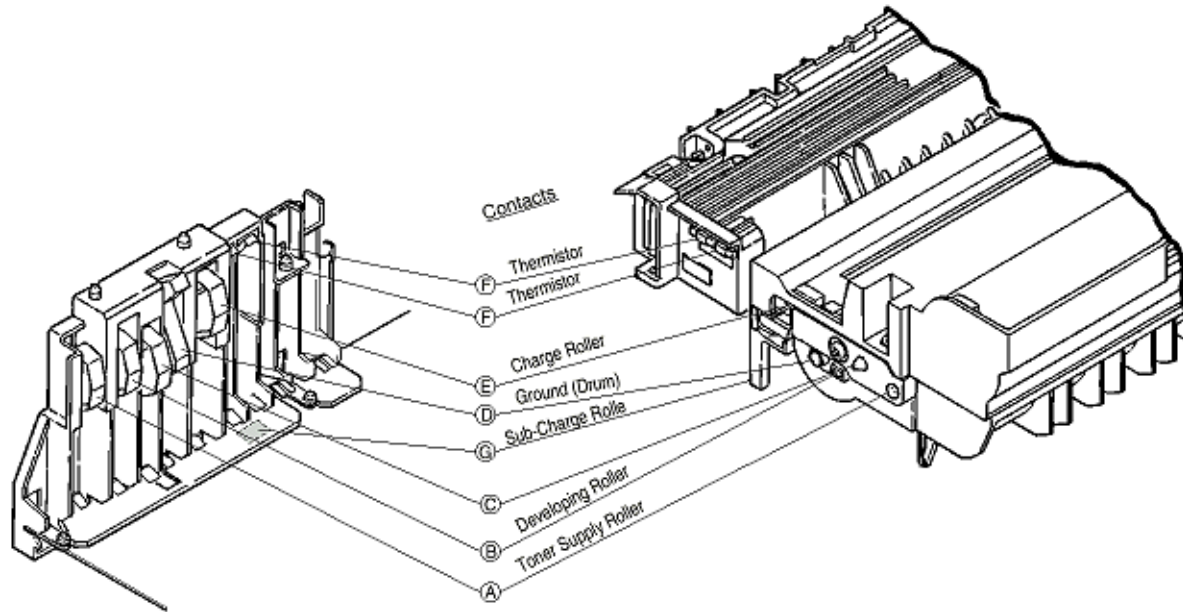
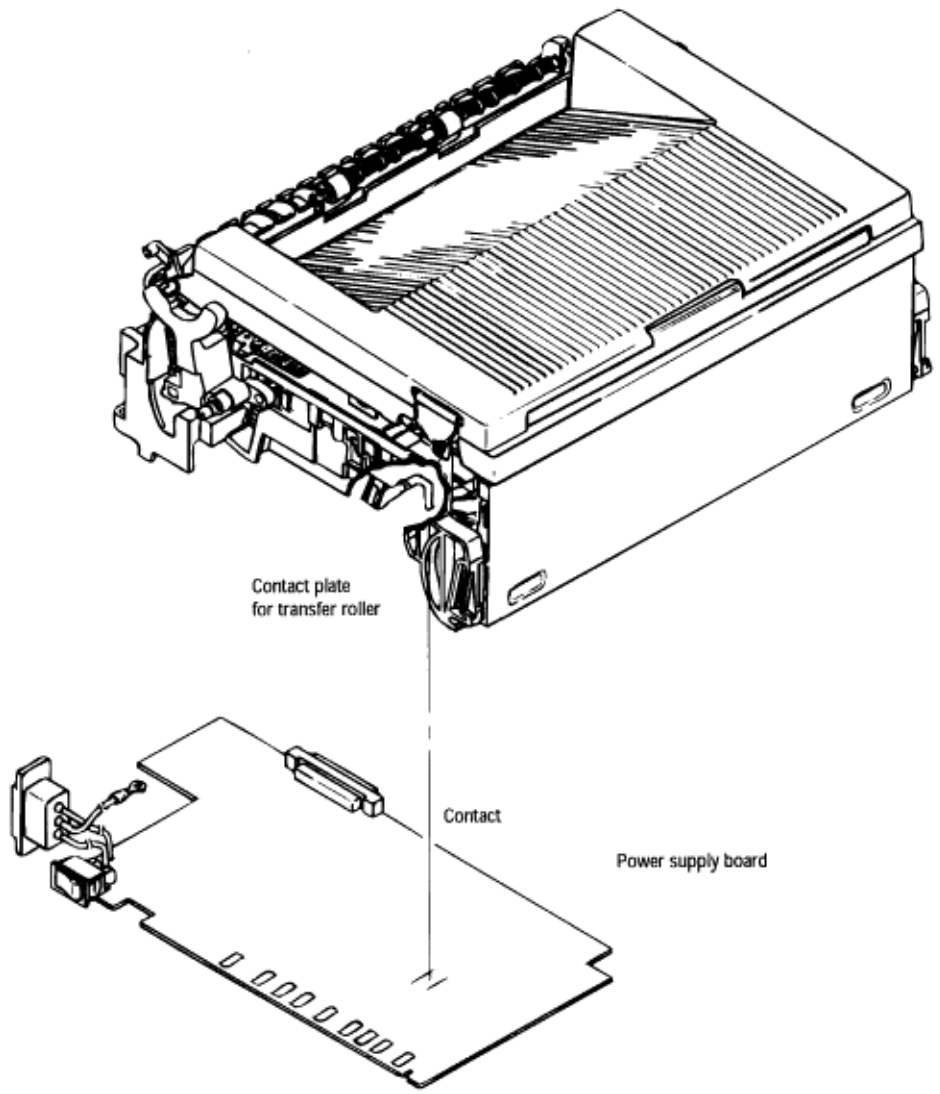
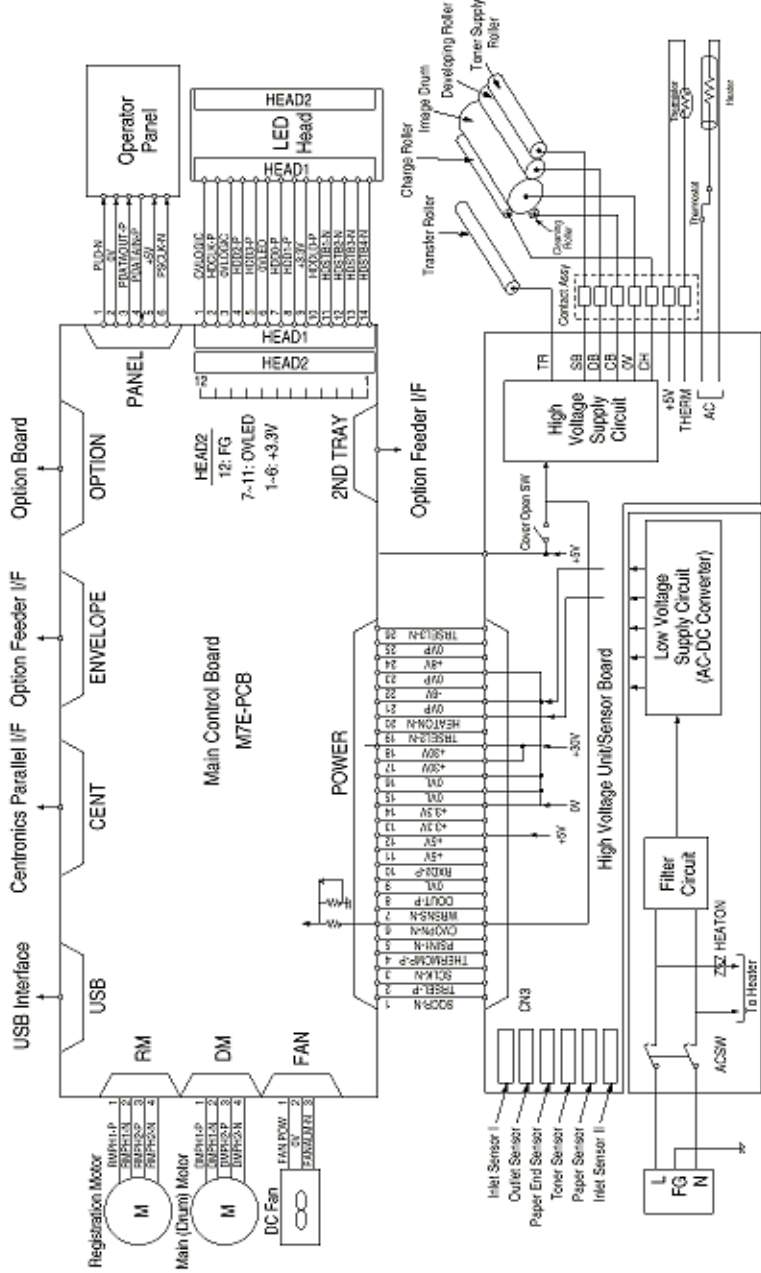


Figure 6-5



(BPX) for any updates to this material. (<http://bpx.okidata.com>)

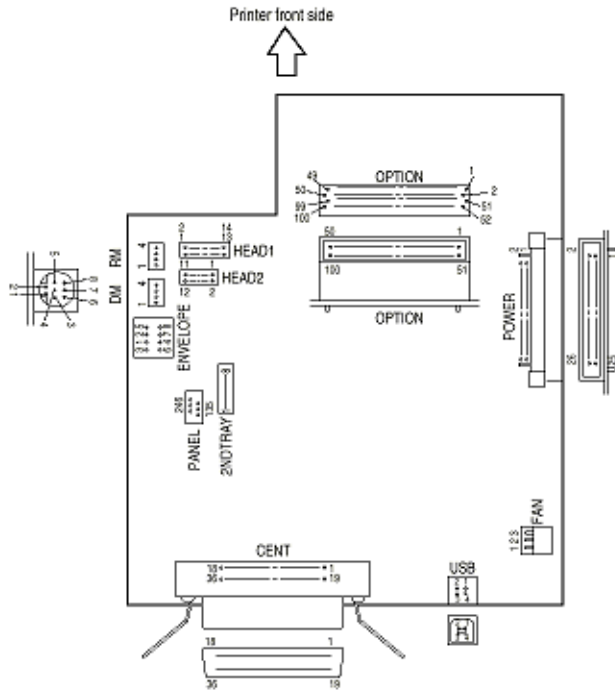
7.1 Interconnect Signal Diagram

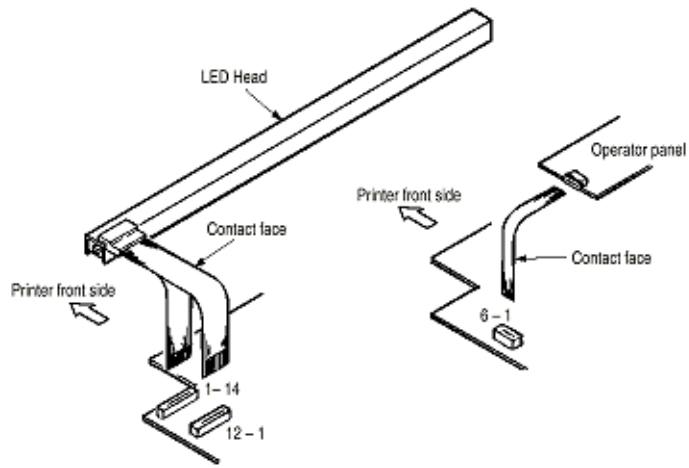


Copyright 2000, Oki Data, Division of OKI America, Inc. All rights reserved. See the Oki Data Business Partner Exchange (BPX) for any updates to this material. (<http://bpx.okidata.com>)

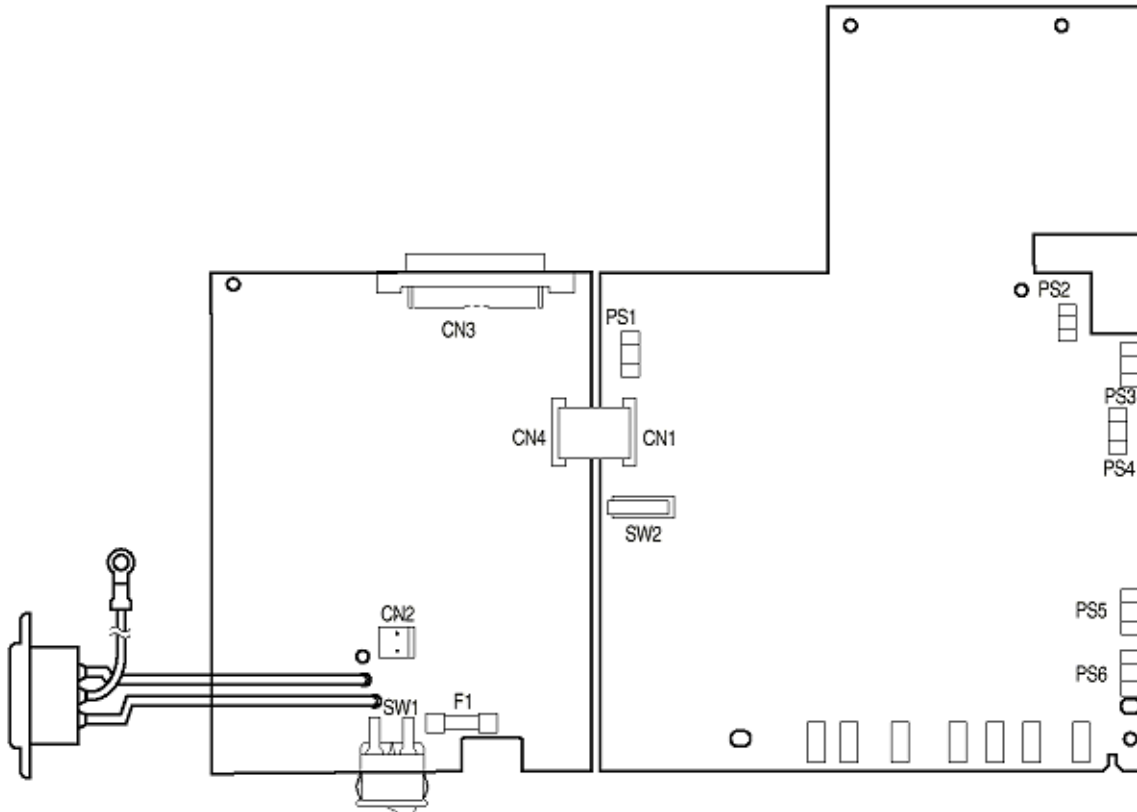
7.2 PCB Layout and Connector Signal List

(1) Main Control Board (M7E-2-PCB)





(2) Power Supply Board



- **FAN Connector Pin Assignment (To fan motor)**

Opening	PIN NO.	I/O	Signal	Description
1	1	O	FANPOW	Power supply for fan driving
2	2	C	OV	Ground
3	3	I	FANALM-N	Fan alarm

- **DM Connector Pin Assignment (To main/drum motor)**

Opening	PIN NO.	I/O	Signal	Description
1	1	O	DMPH1-P	Coil 1-P

2	2	O	DMPH1-N	Coil 1-N
3	3	O	DMPH2-P	Coil 2-P
4	4	O	DMPH2-N	Coil 2-N

- **Excitation sequence**

Pin No.	Line Color	Step No. 1	Step No. 2	Step No. 3	Step No. 4
2	Yellow	+	-	-	+
4	Black	+	+	-	-
1	Orange	-	+	+	-
3	Brown	-	-	+	+

Turning direction Clockwise when viewed from the output axis.

- **RM Connector Pin Assignment (To registration motor)**

Opening	PIN NO.	I/O	Signal	Description
1	1	O	RMPH1-P	Coil 1-P
2	2	O	RMPH1-N	Coil 1-N
3	3	O	RMPH2-P	Coil 2-P
4	4	O	RMPH2-N	Coil 2-N

- **Excitation sequence**

PIN NO.	Line Color	Step No. 1	Step No. 2	Step No. 3	Step No. 4
2	Yellow	+	-	-	+
4	Black	+	+	-	-
1	Orange	-	+	+	-
3	Brown	-	-	+	+

Rotary direction - Clockwise viewed from the output axis.

- **Head1 Connector Pin Assignment (To LED Head)**

PIN NO.	I/O	Signal	Description
1	C	0VLOGIC	Ground for logic
2	O	HDCLK-P	Clock
3	C	0VLOGIC	Ground for logic
4	O	HDD2-P	Data 4

5	O	HDD3-P	Data 3
6	C	0VLED	Ground for LED
7	O	HDD0-P	Data 0
8	O	HDD1-P	Data 1
9	O	+3.3V	+3.3V power supply for LED driving
10	O	HDDL-D	Load
11	O	HDSTB1-N	Strobe 1
12	O	HDSTB2-N	Strobe 2
13	O	HDSTB3-N	Strobe 3
14	O	HDSTB4-N	Strobe 4

O: Out
C: Common

● **HEAD2 Connector Pin Assignment (To LED head)**

PIN NO.	I/O	SIGNAL	DESCRIPTION
1	O	+3.3V	+3.3V power supply for LED driving
2	O	+3.3V	+3.3V power supply for LED driving
3	O	+3.3V	+3.3V power supply for LED driving
4	O	+3.3V	+3.3V power supply for LED driving
5	C	+3.3V	+3.3V power supply for LED driving
6	O	+3.3V	+3.3V power supply for LED driving
7	C	0VLED	Ground for LED
8	C	0VLED	Ground for LED
9	C	0VLED	Ground for LED
10	C	0VLED	Ground for LED
11	C	0VLED	Ground for LED
12	C	FG	FG

O: Out
C: Common

● **PANEL Connector Pin Assignment (To operator panel)**

PIN NO.	I/O	SIGNAL	DESCRIPTION
1	O	PLD-N	Load
2	C	OV	Logic ground
3	O	PDATAOUT-P	Data output
4	I	PDATAIN-P	Data input
5	C	5V	+5V power supply
6	O	PSCLK-N	Clock

I: In

O: Out
C: Common

● **ENVELOPE Connector Pin Assignment (To option feeder I/F)**

PIN NO.	I/O	Signal	Description
1	O	PAPERIN-N	Paper sense 1
2	O	OPTSCLK-N	Clock
3	O	DATA-N	Data
4	I	PAPERIN-N	OPT send data ready
5	C	OVP	Analog ground
6	O	38V	+30V power supply
7	C	0V	Logic ground
8	O	5V	+5V power supply

I: In
O: Out
C: Common

● **2ND TRAY Connector Pin Assignment (To option tray I/F)**

PIN NO.	I/O	Signal	Description
1	O	PAPERIN-N	Paper sense 1
2	O	OPTSCLK-N	Clock
3	O	DATA-N	Data
4	I	PAPERIN-N	OPT send data ready
5	C	OVP	Analog ground
6	O	38V	+30V power supply
7	C	0V	Logic ground
8	O	5V	+5V power supply

● **POWER Connector Pin Assignment (To power supply/sensor board)**

		Pin No.	Signal	I/O	Description	Pin No.	Signal	I/O*	Description
2	1	2	TRSEL1	O	TR control switch	1	SQCR-N	I	Sequence clear signal of serial I/F
4	3	4	THERM-CMP	I	Heater temperature	3	SCLK-N	I	Clock signal of serial I/F
6	5	6	CVOPN-N	I	Cover open (+35V)	5	PSIN1-N	I	Paper sense
8	7	8	DOUT-P	O	Serial data output	7	WRSNS	I	Reading of paper edge

10	9	10	RXD2-P	I	Serial data input	9	OVL	C	Ground for logic
12	11	12	+5V	I	Logic circuit supply voltage	11	+5V	I	Logic circuit supply voltage
14	13	14	+3.3V	I	LED head supply voltage	13	+3.3V	I	LED head supply voltage
16	15	16	OVL	C	Logic ground	15	OVL	C	Logic ground
18	17	18	+38V	I	Motor and fan drive voltage and source voltage for high voltage supply	17	+38V	I	Motor and fan drive voltage and source voltage for high voltage supply
20	19	20	HEATON-N	O	Heater on	19	TRSEL2	O	TR control switch
22	21	22	-8V	I	RS232C line voltage	21	0VP	C	Analog
24	23	24	+8V	I	RS232C line voltage	23	0VP	C	Analog
26	25	26	TRSEL3-N	O	TR control switch	25	0VP	C	Analog

O: Out

I: In

C: Common

● **CENT Connector Pin Assignment (To Centro parallel I/F)**

		Pin No.	I/O*	Signal	Description	Pin No.	I/O	Signal	Description
1	19	1	I	Strobe	Strobe	19	C	SG	Ground
2	20	2	C	DATA1-P	Data bit 0	20	C	SG	Ground
3	21	3	C	DATA2-P	Data bit 1	21	C	SG	Ground
4	22	4	C	DATA3-P	Data bit 2	22	C	SG	Ground
5	23	5	C	DATA4-P	Data bit 3	23	C	SG	Ground
6	24	6	C	DATA5-P	Data bit 4	24	C	SG	Ground
7	25	7	C	DATA6-P	Data bit 5	25	C	SG	Ground
8	26	8	C	DATA7-P	Data bit 6	26	C	SG	Ground
9	27	9	C	DATA8-P	Data bit 7	27	C	SG	Ground
10	28	10	O	ACK-N	Acknowledge	28	C	SG	Ground
11	29	11	O	BUSY-P	Busy	29	C	SG	Ground
12	30	12	O	PE-P	paper end	30	C	SG	Ground
13	31	13	O	SEL-P	Select	31	I	IPRIME-N	Input prime
14	32	14	I	AUTOFEED-N	Auto feed	32	O	FAULT-N	Fault
15	33	15		NC	Not connected	33	C	SG	Ground
16	34	16	C	SG	Ground	34		NC	Not connected
17	35	17	C	FG		35	O	HILEVEL	Always kept high

18	36	18	O	P-LOGIC-H	+5V power supply	36	I	SELIN-N	Select in
----	----	----	---	-----------	------------------	----	---	---------	-----------

O: Out

I: In

C: Common

● **USB Connector Pin Assignment (to USB I/F)**

		PIN NO.	I/O*	Signal	Description
2	1	1	I	Voc	+5 Power
3	4	2	IO	D-	USB Data
		3	IO	D+	USB Data
		4	C	0V	Ground

* I: In

O: Out

C: Common

● **OPTION Connector Pin Assignment (To option RAM or RS232C board)**

			Pin No.	I/O	Signal	Description	Pin No.	I/O	Signal	Description
01		51	01	O	A0	OR write enable	51	I/O	D16	Data bit 16
	02		52	C	0V	Logic ground	52	I/O	D10	Data bit 0
03		53	03	O	A1	Address bit 1	53	I/O	D17	Data bit 17
	04		54	O	A2	Address bit 2	54	I/O	D1	Data bit 1
05		55	05	O	RSDTR0-N	RS232C Data terminal ready	55	I/O	D18	Data bit 18
	06		56	O	A3	Address bit 3	56	I/O	D2	Data bit 2
07		57	07	O	A4	Address bit 4	57	I/O	D19	Data bit 19
	08		58	C	0V	Logic ground	58	I/O	D3	Data bit 3
09		59	09	O	A5	Address bit 5	59	I/O	D20	Data bit 20
	10		60	O	A6	Address bit 6	60	I/O	D4	Data bit 4
11		61	11	O	+5V	Logic power supply	61	I/O	D21	Data bit 21
	12		62	O	A7	Address bit 7	62	I/O	D5	Data bit 5
13		63	13	O	A8	Address bit 8	63	I/O	D22	Data bit 22
	14		64	C	0V	Address bit 9	64	I/O	D6	Data bit 6
15		65	15	O	A9	Address bit 10	65	I/O	D23	Data bit 23

	16		66	16	O	A10	Logic power supply	66	I/O	D7	Data bit 7
17		67		17	O	+5V	Address bit 11	67	I/O	D24	Data bit 24
	18		68	18	O	A11	Address bit 12	68	I/O	D8	Data bit 8
19		69		19	O	A12	Logic ground	69	I/O	D25	Data bit 25
	20		70	20	C	0V	Address bit 13	70	I/O	D9	Data bit 9
21		71		21	O	A13	Address bit 14	71	I/O	D26	Data bit 26
	22		72	22	O	A14	Logic power supply	72	I/O	D10	Data bit 10
23		73		23	O	+5V	Address bit 15	73	I/O	D27	Data bit 27
	24		74	24	O	A15	Address bit 16	74	I/O	D11	Data bit 11
25		75		25	O	A16	Logic ground	75	I/O	D28	Data bit 28
	26		76	26	C	0V	Address bit 17	76	I/O	D12	Data bit 12
27		77		27	O	A17	Address bit 18	77	I/O	D29	Data bit 29
	28		78	28	O	A18	Logic power supply	78	I/O	D13	Data bit 13
29		79		29	O	+5V	Address bit 19	79	I/O	D30	Data bit 30
	30		80	30	O	A19	Address bit 20	80	I/O	D14	Data bit 14
31		81		31	O	A20	Logic ground	81	I/O	D31	Data bit 31
	32		82	32	C	0V	Address bit 21	82	I/O	D15	Data bit 15
33		83		33	O	A21	Address bit 22	83	O	DRAS2-N	DRAM select 2
	34		84	34	O	A22	Address bit 23	84	O	DRAS3-N	DRAM select 3
35		85		35	O	A23	Logic ground	85	O	DRAS4-N	DRAM select 4
	36		86	36	O	0V	Logic ground	86	O	DRAS5-N	DRAM select 5
37		87		37	O	0V	Logic ground	87	O	DCAS3-N	DCAS3
	38		88	38	C	0V	Logic ground	88	O	DCAS2-N	DCAS2
39		89		39	O	RSRTS0-N	RS232C request to send	89	O	DCAS1-N	DCAS1

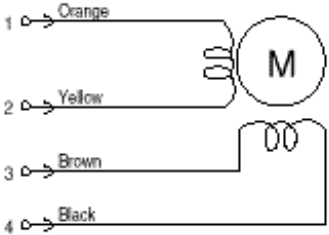
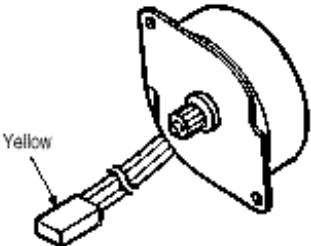
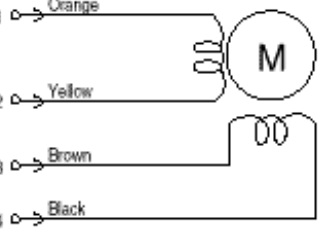
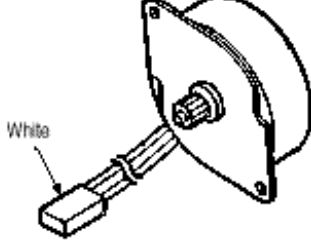
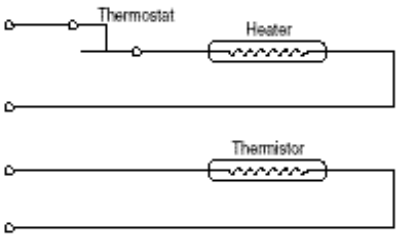
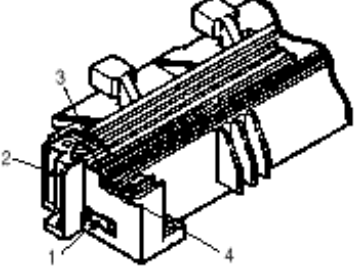
	40		90	40	O	CS1-N	ROM/SRAM select 1	90	O	DCAS0-N	DCAS0
41		91		41	O	CS2-N	ROM/SRAM select 2	91	O	RD-N	RD-N
	42		92	42	O	CS3-N	ROM/SRAM select 3	92	O	WR-N	WR-N
43		93		43	I	CSRREQ- P	SCC send request	93	I	INT1-N	Interrupt request 1
	44		94	44	C	0V	Logic ground	94	I	INT2-N	Interrupt request 2
45		95		45	I	SCSREQ- P	SCC receive request	95	O	EEPRMCS 1-P	EEPROM select
	46		96	46	O	IOS0-N	I/O select 0	96	O	EEPRMCL K-P	EEPROM clock
47		97		47	O	IOS1-N	I/O select 1	97	C	SSTXD-P	EEPROM data
	48		98	48	O	RSTXD0- N	RS232C send data	98	I	DRDY-N	Data read
49		99		49	O	-8V	RS232C line voltage	99	C	+8V	RS232C line voltage
	50		100	50	I	RSRXD0- P	RS232C receive data	100	O	RESET-N	Reset signal

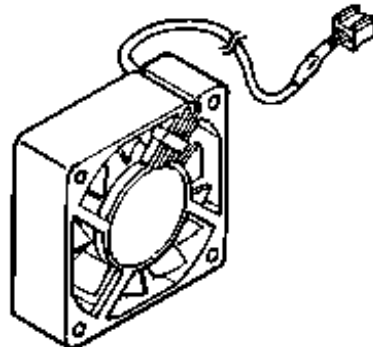
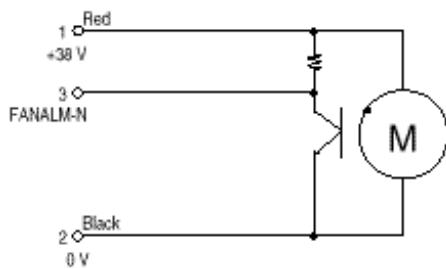
O: Out

I: In

C: Common

7.3 Resistance Check

Unit	Circuit Diagram	Illustration	Resistance
Registration Motor			<p>Between Pins 1 and 2: 9 Ohms</p> <p>Between Pins 3 and 4: 9.5 Ohms</p>
Main/drum motor			<p>Between Pins 1 and 2: 4.2 Ohms</p> <p>Between Pins 3 and 4: 4.2 Ohms</p>
Fusing unit			<p>Between Pins 1 and 2: 120V 3 Ohms 240V 10 Ohms</p> <p>Between Pins 3 and 4: 220K Ohms (at room temperature)</p>
Fan			



Copyright 2000, Oki Data, Division of OKI America, Inc. All rights reserved. See the Oki Data Business Partner Exchange (BPX) for any updates to this material. (<http://bpx.okidata.com>)

Lower Base Unit

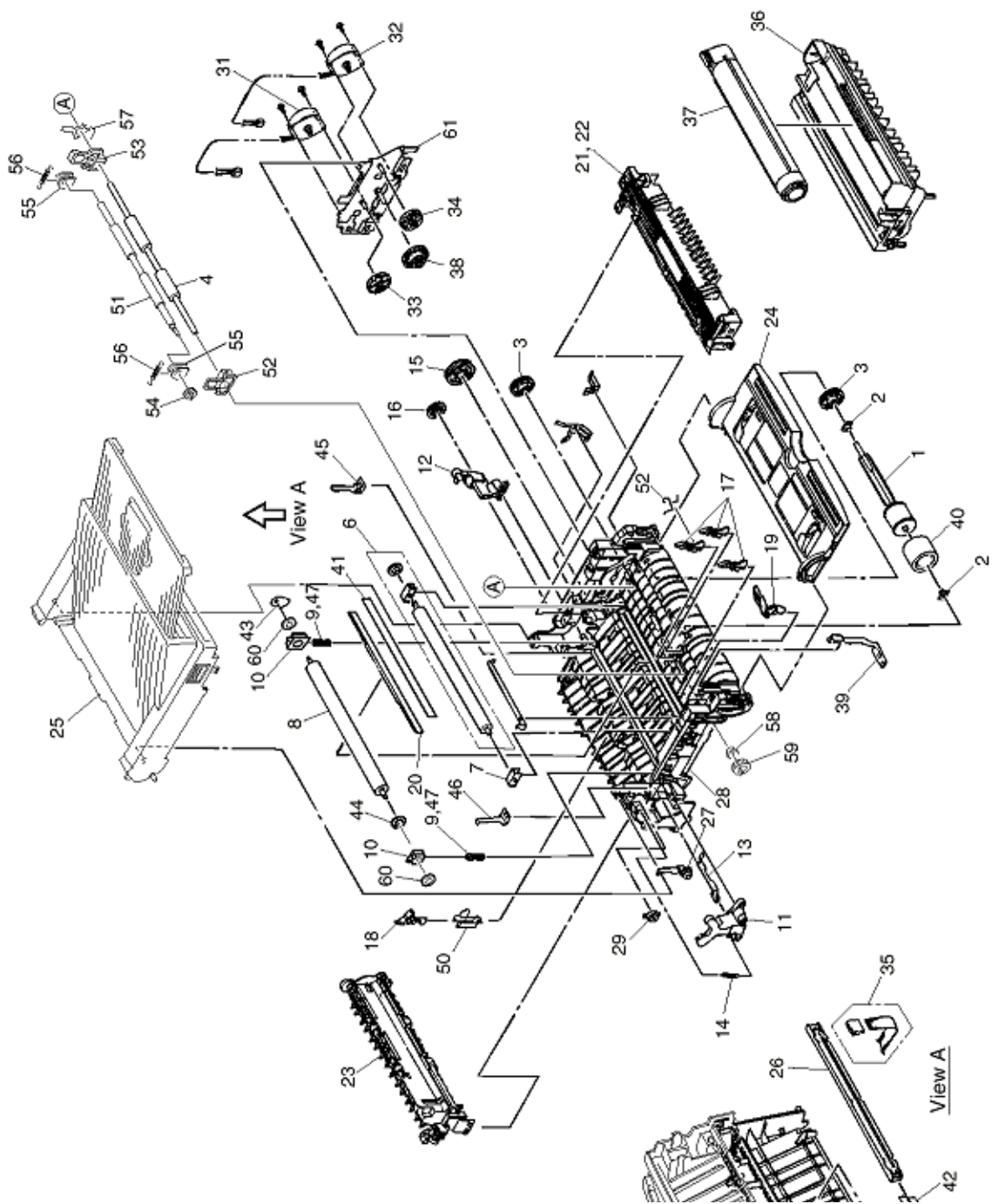


Figure 8-1 Lower Base Unit

No.	Name/Rating	Use	Remarks	ODA Part No.
1	Hopping roller shaft	1		51112601
2	Bearing	2		51607402
3	Hopping roller one-way clutch gear	2		51228901
4	Registration roller	1		41281101
5	Bearing (registration)	1		51607501
6	Roller-Transfer Assy	1		40437802
7	Bearing TR	1		40438001
8	Back-up roller	1		41301801
9	Bias spring	2		41584101
10	Back-up roller bushing	2		41536201
11	Reset lever L	1		50805801
12	Reset lever R	1		50805901
13	Cover open switch arm	1		53068901
14	Stacker cover reset spring	1		50924201
15	Fuser roller idle gear	1		51229101
16	Eject roller idle gear	1		51229201
17	Sensor plate (inlet)	3		51010701
18	Eject sensor lever Assembly	1		40771401
19	Toner sensor	1		50405501
20	Strip: Anti-Static	1		51010903
21	Heat Assy - OP14ex	1	120V	40470107
22	Heat Assy - OP14ex	1	230V	40470108
23	Roller assy - eject	1		40772501
24	Manual feed guide assy	1		40715501
25	Stacker-Assy	1		41423101
26	LED head unit - 512K	1		41366001
27	Stacker cover damper arm	1		53069101
28	Frame-Base lower	1		41453901
29	Stacker cover damper	1		51229401
30				
31	Motor-Pulse (main)	1		41301901
32	Motor-Pulse (regist)	1		40722301

37	Toner Cartridge (Type 5) (starter 2k)	1	Consumable	40433203
	Toner Cartridge (Type 8) (replacement 4k)	1	Consumable	41331701
38	Reduction Gear	1		41279201
39	FG plate (O.P.)	1		53347201
40	Hopping roller rubber	1		53342401
41	Static Film			52203802
42	LED Contact	1		51014601
43	Washer C	1		50517201
44	Washer B	1		50517001
45	Spacer-Bearing R	1		41583901
46	Spacer-Bearing L	1		41584001
47	Bias spring A (Special parts for envelope*)	2		41599601
48				
49				
50	Sensor wire assy	1		41027701
51	Roller - Pressure	1		41281001
52	Holder - Regist L	1		41279501
53	Holder - Regist R	1		41279601
54	Gear - Pressure	1		41279801
55	Bearing - Pressure	2		41279401
56	Spring - Tension	2		41281201
57	Plate - Contact PA	1		41280401
58	Bearing - Regist L	1		41279301
59	Gear - Regist	1		41279701
60	Bearing - Ball	2		41584201
61	Bracket - Motor	1		41280001

* This part is countermeasure for envelope wrinkle and common part to bias spring A. Both side springs must be exchanged at the same time.

Upper Cover Unit

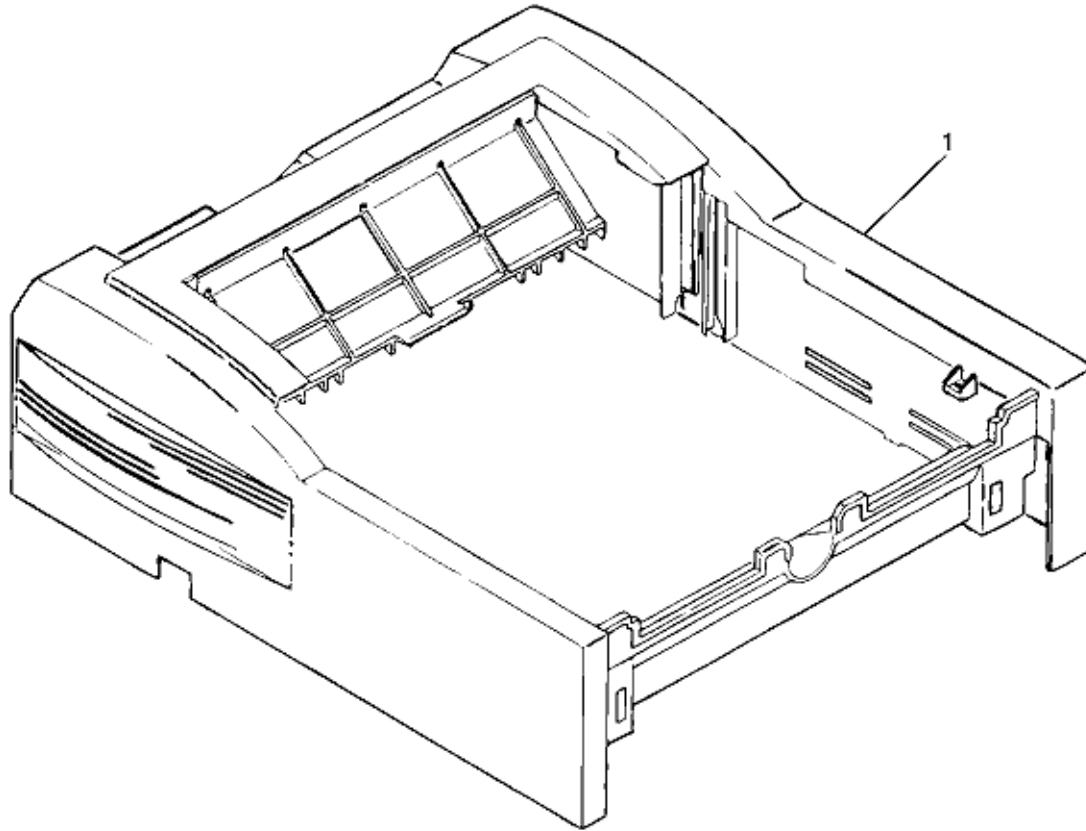


Figure 8-2 Upper cover unit

No.	Name/Rating	Use	Remarks	ODA Part No.
1	Upper cover	1		40715101

Copyright 2000, Oki Data, Division of OKI America, Inc. All rights reserved. See the Oki Data Business Partner Exchange (BPX) for any updates to this material. (<http://bpx.okidata.com>)

Base Unit

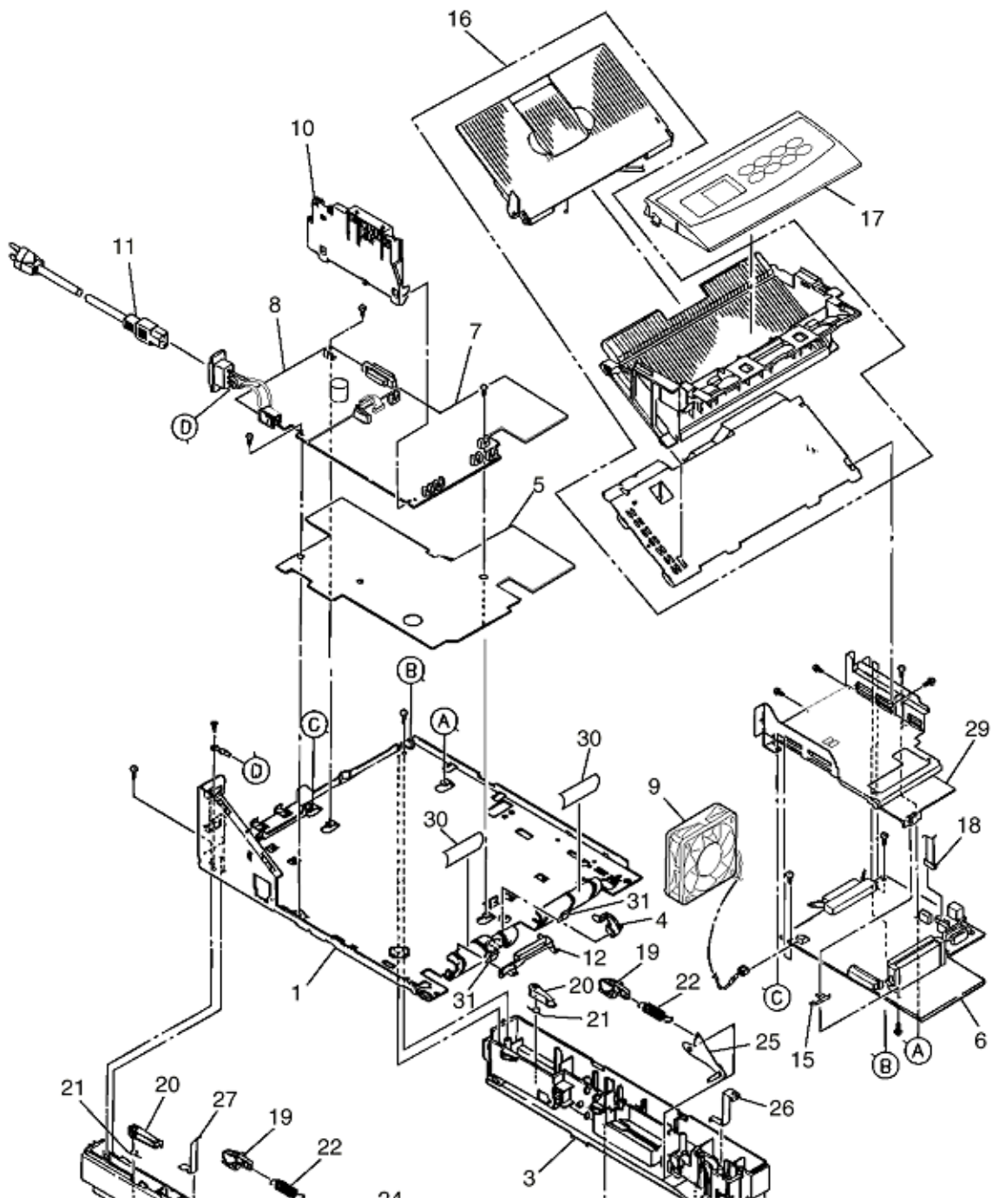


Figure 8-3 Base Unit

No.	Name/Rating	Use	Remarks	ODA Part No.
1	Plate base	1		41279901
2	Cassette guide (L) assy	1		51011201
3	Cassette guide (R) assy	1		51011301
4	Sensor plate (paper supply)	1		51011401
5	Plate Insulator	1		41301601
6	Main control board (Board-M7E)	1		41249206
7	PCB Assy - HV1	1		41228501
8	Power Supply	1	120V	41087901
	Power Supply	1	230V	41088001
9	Fan motor	1		41454401
10	Contact assy	1		41445801
11	AC cord	1	120V	51011501
	AC cord	1	220-240V	56624301
12	Cassette sensor plate	1		56609701
13	Cassette Assy-Paper	1		40473001
14				
15	Earth plate	1		51011601
16	Face up stacker cover assy	1		51011301
17	OP Panel assy	1	ODA	40715207
18	Card assy (op panel)	1	120V	41445901

Copyright 2000. Oki Data, Division of OKI America, Inc. All rights reserved. See the Oki Data Business Partner Exchange (BPX) for any updates to this material. (<http://bpx.okidata.com>)

Centronics Parallel Interface

1) Connector

- Printer side : 36-pin receptacle (single port) Type 57RE-40360-730B-D29A (made by Daiichi Denshi), CN-AX05841A36AT (made by Ougat) or equivalent
- Cable side : 36-pin plug Type 57-30360 (made by Daiichi Denshi) or equivalent Plug-552274-1 (AMP), 552073-1 (AMP) or equivalent

2) Cable

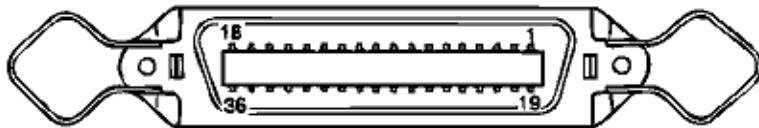
- Cable length : 6 ft (1.8 m) max. (A Shielded cable composed of twisted pair wires is recommended for noise prevention.)

Note: Cable is not supplied with the printer, and is not available from Oki.

(3) Table of Parallel I/F Signals

Pin No.	Signal name	Signal direction	Functions
1	$\overline{\text{DATA STROBE}}$	→ PR	Parallel data sampling strobe
2	DATA BIT - 1		
3	DATA BIT - 2		
4	DATA BIT - 3		
5	DATA BIT - 4	→ PR	PR Parallel input and output data
6	DATA BIT - 5		
7	DATA BIT - 6		
8	DATA BIT - 7		
9	DATA BIT - 8		
10	$\overline{\text{ACKNOWLEDGE}}$	← PR	Completion of data input or end of a function
11	BUSY	← PR	During print processing or alarm
12	PAPER END	← PR	End of paper
13	SELECT	← PR	Select state (ON-LINE)
14	$\overline{\text{AUTOFEED}}$	→ PR	Request to change mode
15	-		(Not used)
16	0V		Signal ground
17	CHASSIS GROUND		Chassis ground
18	+5V	← PR	50 mA max.
19			
20			
21	0V		Signal ground
22			
23			
24			
25			
26			
27			
28			
29			
30			
31	$\overline{\text{INPUT PRIME}}$	→ PR	Initializing signal
32	$\overline{\text{FAULT}}$	← PR	End of paper or during alarm
33	-		Signal ground
34	-		(Not used)

- Connector pin arrangement



(4) Signal Level

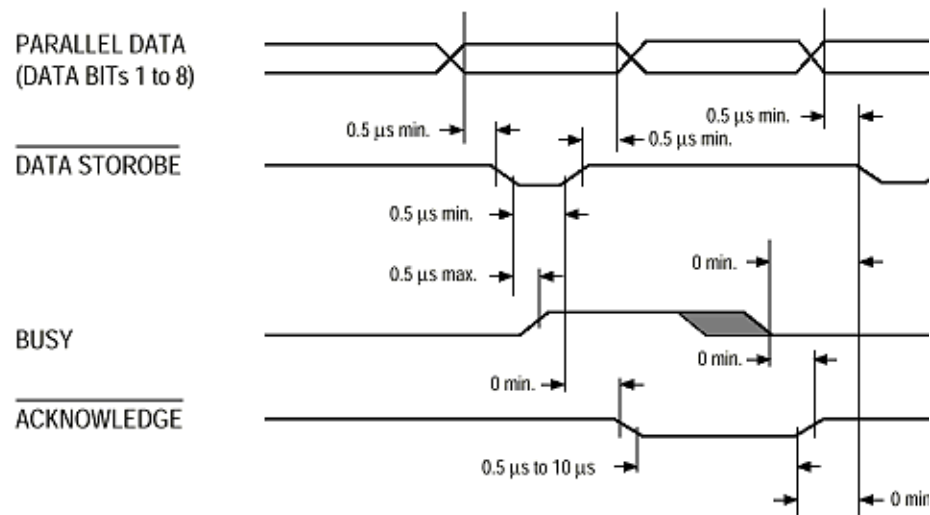
LOW : 0 V to + 0.8 V
 HIGH : + 2.4 to 5.0 V

5) Specifications

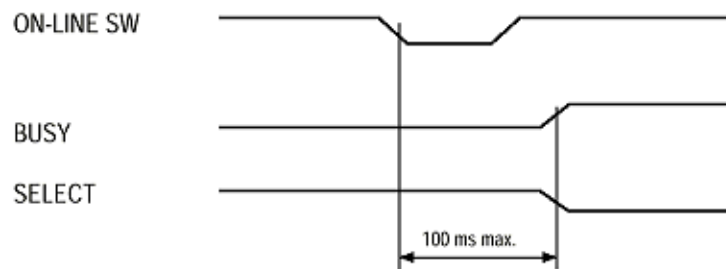
Item	Description
Mode	Compatibility mode, Nibble mode, ECP mode
Data bit length	8 bits (in the compatibility mode)
Input prime	Valid/Invalid
Receive buffer,	8K, 20K, 50K, 100K, 1M Bytes
Control	Handshaking control is performed in each mode. Data received from the host is stored in the receive buffer. Busy control is performed. Signal lead control is performed.

6) Timing Charts

a) Data receiving timing



b) On-line → off-line switching timing by ON-LINE SW



7) Interface Parameter Setting

The following settings are possible by pressing the ENTER key, after selecting the display contents of the LCD of the operator panel by using the ◀ and ▶ keys.

Settings are retained even when the printer power is turned off.

By pressing the ON LINE key, menu setting mode is completed and the printer returns to line state.

Press the MENU key.

—

Universal Serial Bus (USB)

Universal Serial Bus Specification Revision 1.1 compliance.

1) Connector

- Printer Side : "B" Receptacle (Upstream Input to the USB Device)
- Cable Side : Series "B" Plug

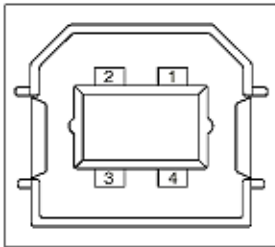
2) Cable

- Cable Length : Max 5m (A cable must be met USB Spec Rev 1.1 for normal operation)

Note: Cable is not provided.

3) Table of USB I / F signals

Contact Number	Signal Name
1	Vbus
2	D -
3	D +
4	GND
Shell	Shield

4) Connector pin arrangement**5) Mode & Class of Device**

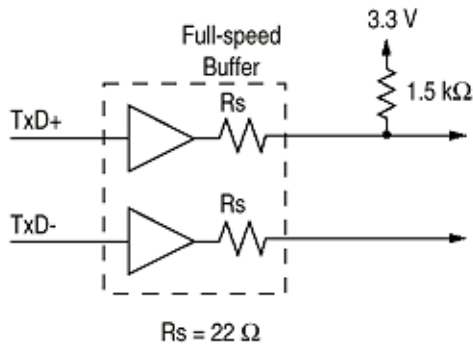
- Full - speed Driver

- Self - powered Device

6) Data Signaling Rate

- Full - speed function - 12Mb/s

7) Interface circuit



8) Signal Level

- Input / Output Level

Parameter	Symbol	Min.	Max.	Units
Input Levels:		2.0		
High (driven)	Vih	2.7		V
High (floating)	Vihz		3.6	V
Low	Vil		.8	V
Output Levels:				
Low	OL	0.0	0.3	V
High (driven)	OH	2.8	3.6	V
Output Signal Crossover Voltage	Vcrs	1.2	2.0	V

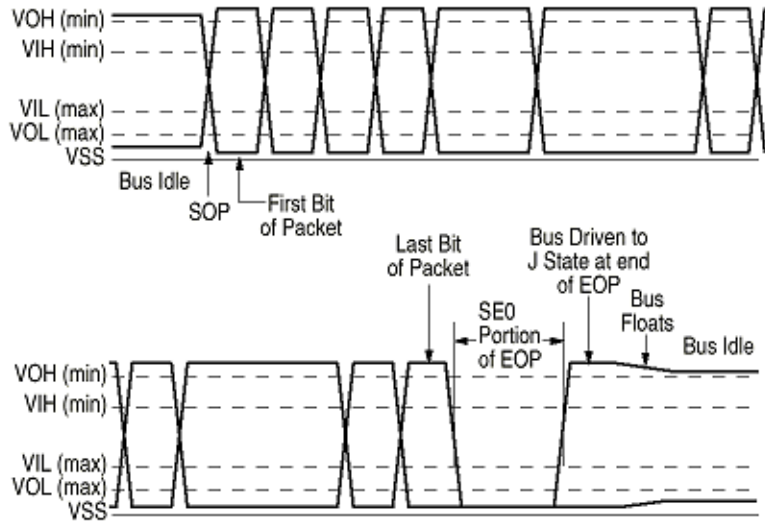
- Signaling Levels

Bus State	Signaling Levels	
	Required	Acceptable
Differential "1"	$(D+) - (D-) > 200\text{mV}$ and $D+ > V_{IH}(\text{min})$	$(D+) - (D-) > 200\text{mV}$
Differential "0"	$(D-) - (D+) > 200\text{mV}$ and $D- > V_{IH}(\text{min})$	$(D-) - (D+) > 200\text{mV}$
Single-ended 0 (SE0)	$D+ \text{ and } D- < V_{IL}(\text{max})$	$D+ \text{ and } D- < V_{IH}(\text{min})$
Data J state:		
Low-speed	Differential "0"	
Full-speed	Differential "1"	
Data K state:		
Low-speed	Differential "1"	
Full-speed	Differential "0"	
Idle state:		
Low-speed	$D- > V_{IHZ}(\text{min})$ and $D+ < V_{IL}(\text{max})$	$D- > V_{IHZ}(\text{min})$ and $D+ < V_{IH}(\text{min})$
Full-speed	$D+ > V_{IHZ}(\text{min})$ and $D- < V_{IL}(\text{max})$	$D+ > V_{IHZ}(\text{min})$ and $D- < V_{IH}(\text{min})$
Resume state	Data K state	
Start-of-Packet (SOP)	Data lines switch from Idle to K state	
End-of-Packet (EOP)	SE0 for ≥ 1 bit time ¹ followed by a J state for 1 bit time	SE0 for ≥ 1 bit time ¹ followed by a J state
Disconnect (at downstream port)	SE0 for $\geq 2.5\mu\text{s}$	
Connect (at downstream port)	Idle for $\geq 2\text{ms}$	Idle for $\geq 2.5\mu\text{s}$
Reset	$D+ \text{ and } D- < V_{IL}(\text{max})$ for $\geq 10\text{ms}$	$D+ \text{ and } D- < V_{IL}(\text{max})$ for $\geq 2.5\mu\text{s}$

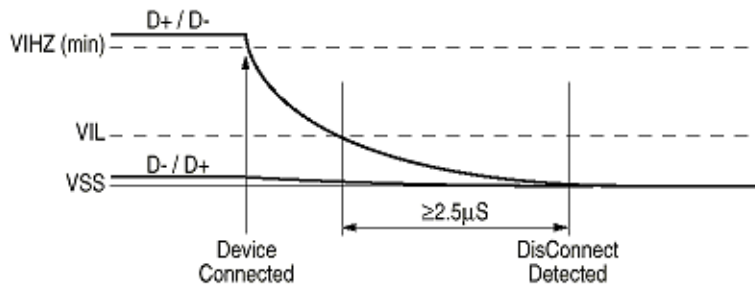
Note: The width of EOP is defined in bit times relative to the device type receiving the EOP. The bit time is approximate.

9) Timing Chart

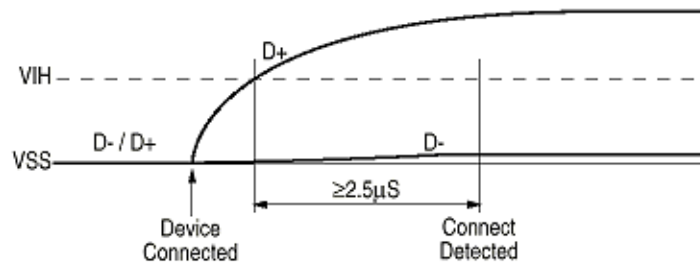
a) Packet Voltage Levels



b) Disconnect Detection

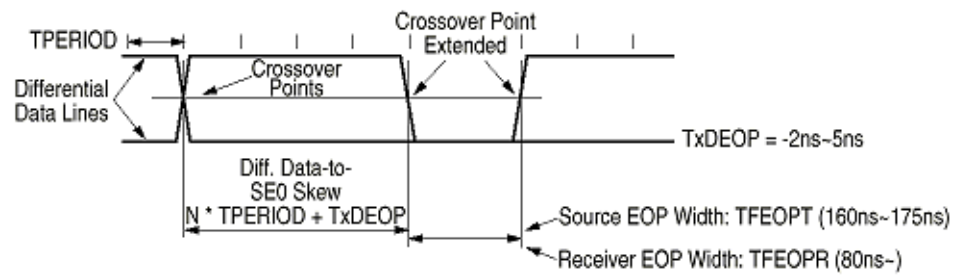


c) Full-speed Device Connect Detection

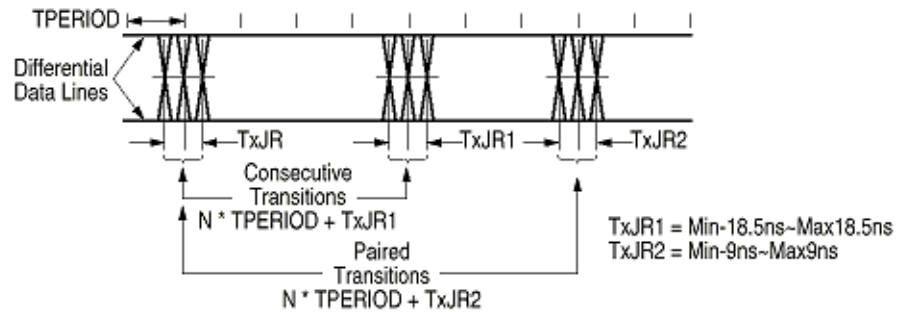


d) Differential Data Jitter

e) Differential-to-EOP Transition Skew and EOP Width

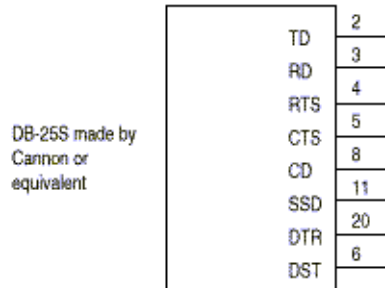


f) Receiver Jitter Tolerance



Loop Test (RS-232C Interface)

1) Connect the test connector



Test Connector Connection Diagram

2) Select "LOOP Test" in the system maintenance mode.

The codes transmitted from the TD signals are comparatively checked with the data received from the RD signals. If any error occurs, the error message is displayed on the LCD.

1. Maintenance Modes

- The maintenance modes consist of the user maintenance mode which are released to the user, and the system and engine maintenance modes in the maintenance personnel level not released to the user.
- Press the MENU key to update each category. The operation returns to the first category after updating the last category, in a loop.
- Press the Enter key to execute the function being displayed.
- To exit from any of these modes during a category display, press the Recover or ON LINE key and the operation mode will start.

1.1 User Maintenance Mode**1.2 System Maintenance Mode****1.3 Engine Maintenance Mode****1.4 User Factory Set Operation**

1.1 User Maintenance Mode

- To enter the user maintenance mode, turn the power on while keeping the MENU key pressed down.
- This mode uses the menu for function selection.
- The user maintenance mode provides the following functions:

(1) Hex Dump

- The data received from the host (higher position) is dumped in hexadecimal notation to the printer.
- Printing is activated automatically when the received data exceeds one page. If the received data is less than one page, printing can be activated manually by pressing the FORM FEED key after desetting the off-line mode by pressing the ON LINE key (automatic activation of printing even when the received data is less than one page is possible by selecting the Auto Eject function on the menu).
- The only way to exit from this mode is by turning the power off.

(2) Menu Reset

- All settings for Menu level-1 are reset to factory default values. The menus for all executable emulations, including options, are reset to factory default values.
- The operation mode starts automatically upon completion of resetting.

(3) Drum Counter Reset

- This function resets the drum life data when the user replaces the image drum unit.
- The operation mode starts automatically upon completion of resetting.

(4) X-Adjust / Y-Adjust

- This function sets the first character printing position on the first line.
- The operation mode starts automatically upon completion of resetting.

5) Operator Panel Menu Disable

This function is for enabling and disabling the operation panel menu functions (Menu 1, Menu 2, Tray Select, Copies and Paper Size).

(6) Resource Saving Area Size**(7) Receive Buffer Area size**

(8) ECP Receive Disable

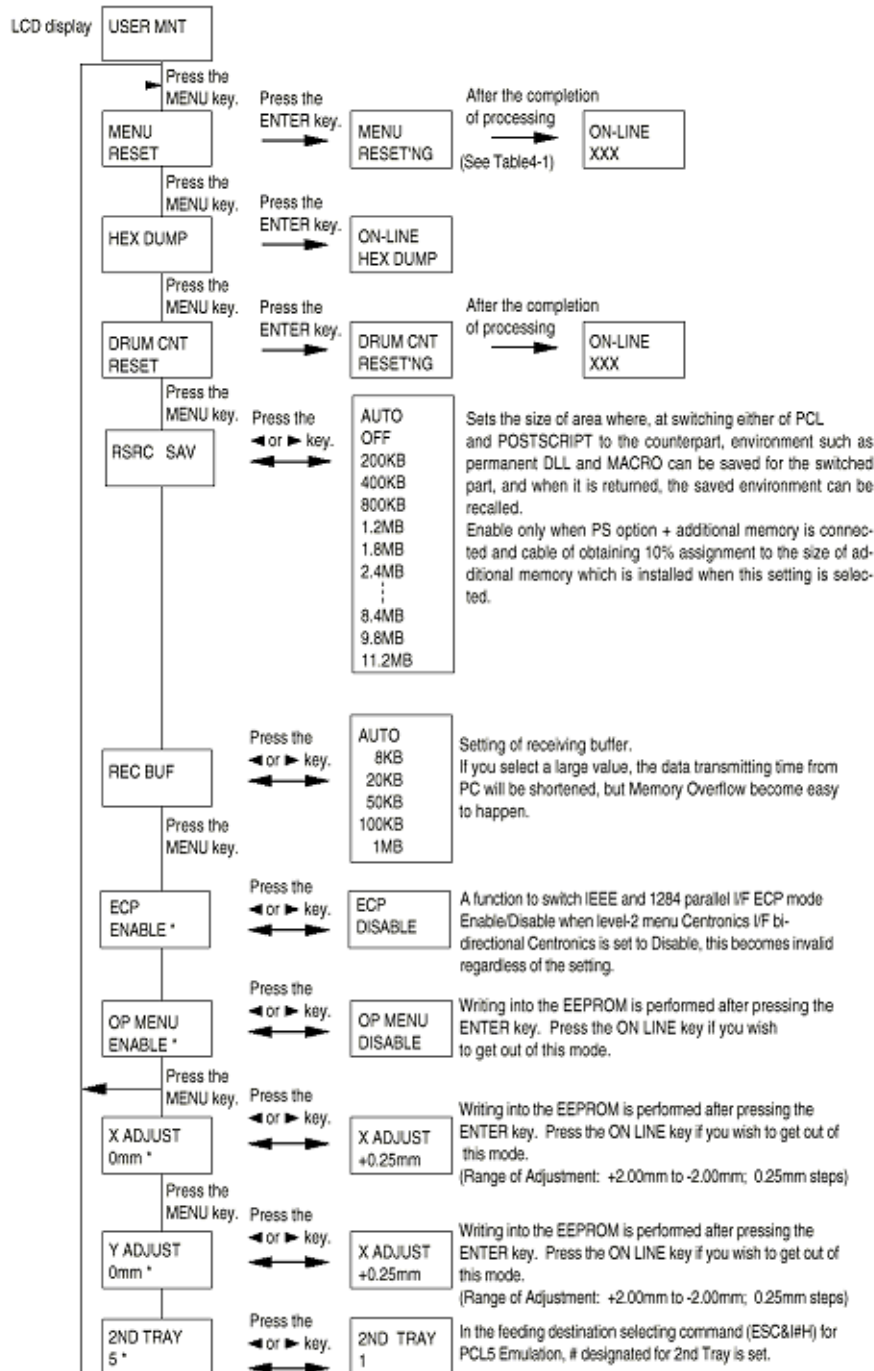
(9) Designated for 2nd Tray command for PCL5 Emulation is set.

(10) Place Page

(11) Setting

(12) Jam Recovery & Print Performance for continuous mode

(13) Power Save Mode Disable



1.2 System Maintenance Mode

- To enter the system maintenance mode, turn the power on while keeping the Recover key pressed down.
- This mode adopts the menu for function selection.
- The system maintenance mode provides the following functions:

(1) Page Count Display

- The total number of pages counted at the engine block is displayed on the LCD.

(2) Page Count Printing Enable/Disable

- This function allows the selection to include (enable) or exclude (disable) the total number of printed pages counted at the engine block at the time of menu printing.

(3) Rolling ASCII Continuous Printing

- The rolling ASCII pattern is printed continuously for various engine tests.
- Press the ON LINE key to cancel this mode.

(4) Loop Test

- The loop test is for testing the serial I/F functions without connecting the printer to the host.
- The data is sent and received by loop back in the loop test.
- The loop test is performed even when another interface is being selected in Menu level-2.
- Installation of the loop connector is necessary for the loop test (refer to Appendix C, LOOP TEST (RS-232C INTERFACE)).
- The real-time loop count is displayed on the LCD.
- When an error occurs in the course of the test, the corresponding error message is displayed on the LCD.
- Press the ON LINE key to cancel this mode.

(5) EEPROM Reset

- All EEPROM areas, including Menu level-2 are set to the factory default values.
- The following items are excluded:

Head drive time setting

Fine adjustment of printing start position

Standard tray paper feed amount setting

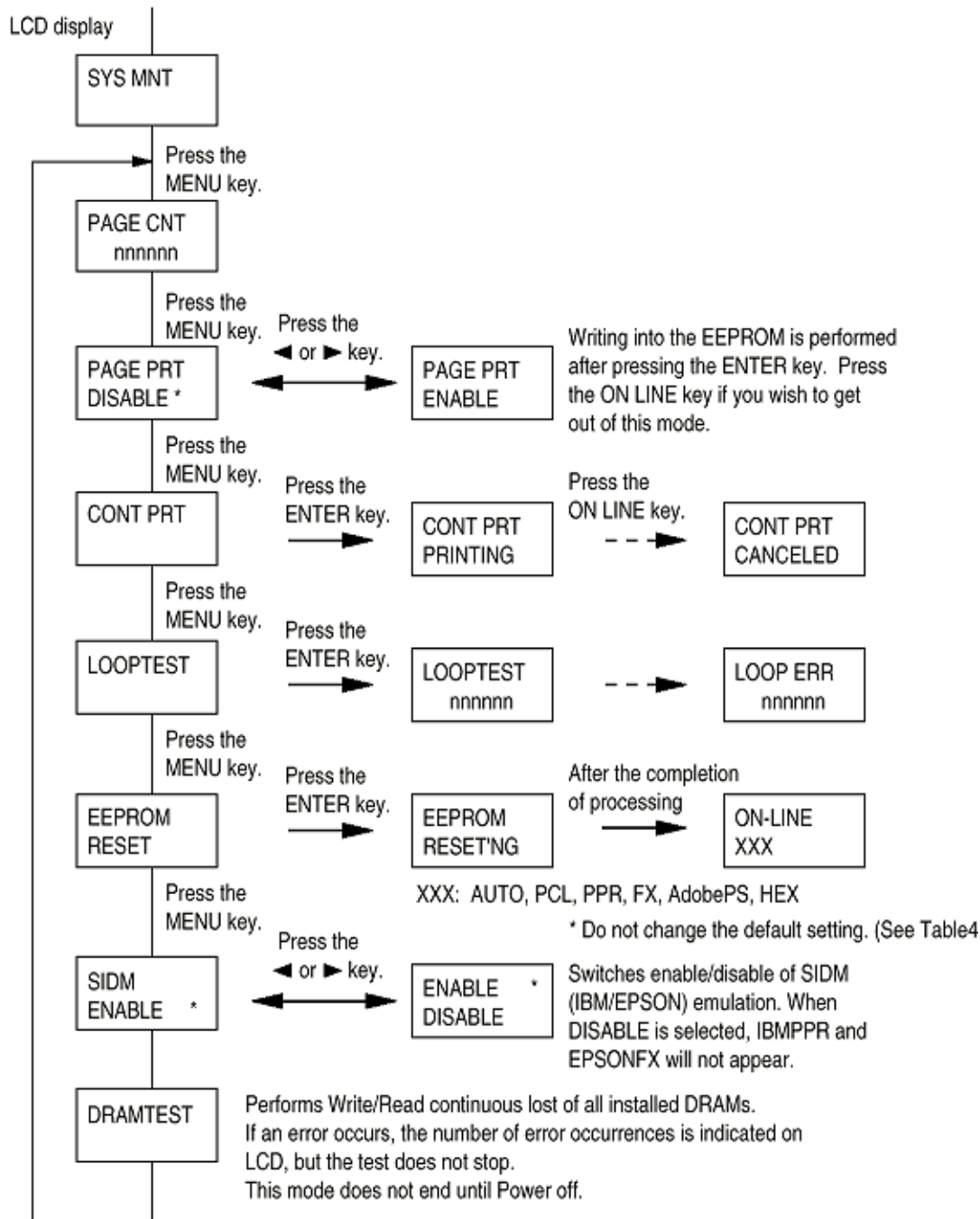
- Transition to the operation mode occurs upon completion of resetting.
- Press the MENU key to update each category.

The operation returns to the first category after updating the last category, in a loop.

(6) SIDM Emulation Disable

(7) DRAM Memory Test

(8) System Maintenance Mode Menu System



Copyright 2000, Oki Data, Division of OKI America, Inc. All rights reserved. See the Oki Data Business Partner Exchange (BPX) for any updates to this material. (<http://bpx.okidata.com>)

1.3 Engine Maintenance Mode

- The engine maintenance mode is activated when the power is turned ON while keeping the FORM FEED key and ENTER key pressed down.
- This mode adopts the menu for function selection.
- The method for exit from this mode depends on the setting.
- The engine maintenance mode provides the following functions:

(1) Head Drive Time Setting

- Sets the drive time of the LED head.

(2) 600 x 1200 DPI strobe time

- Do not change the default setting.

(3) Printing Start Position Setting

- Sets the printing start position.

(4) Drum Count Total Display

- Displays on the LCD the total number of drum revolutions of the unit, counted at the engine block.

(5) Drum Count Display

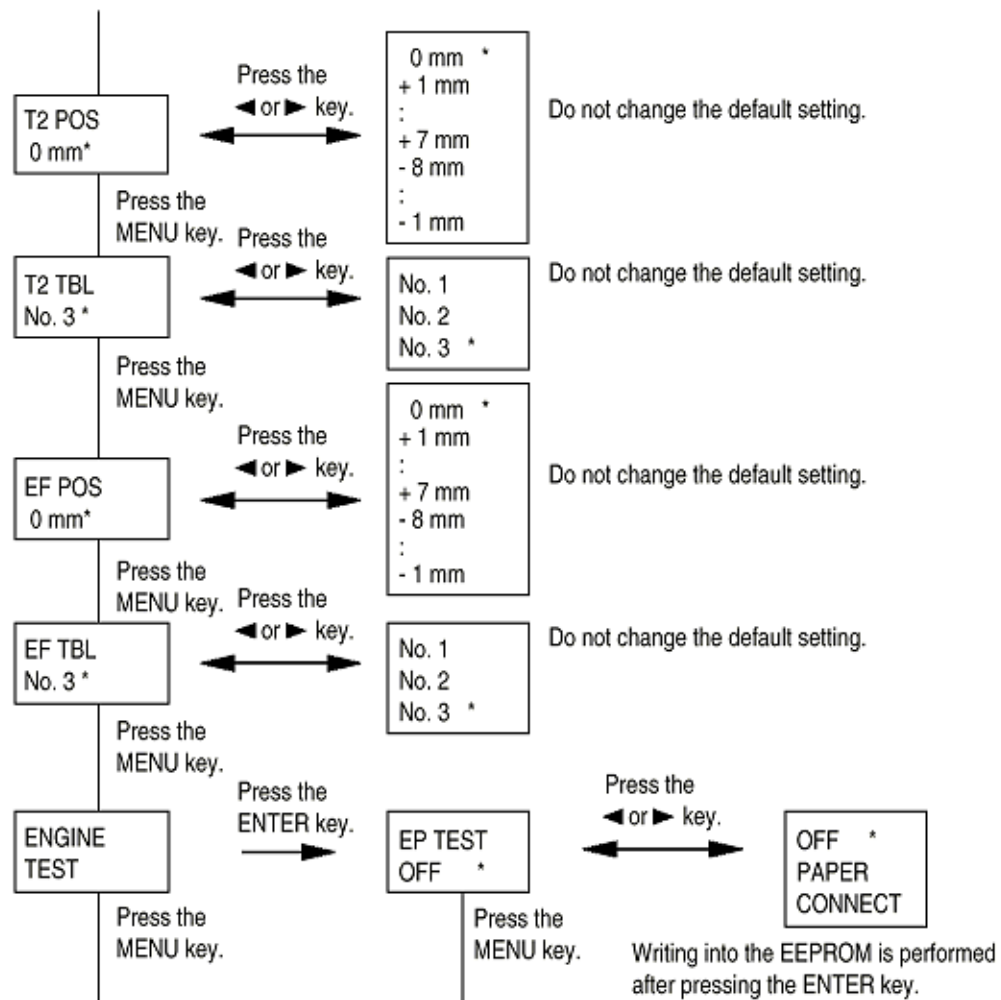
- Displays on the LCD the total number of EP drum revolutions counted at the engine block.

(6) Factory Adjustment (for High Capacity Second Paper Feeder/Power Envelope Feeder)

- Do not change the default settings since these are factory settings and were set at the factory.

(7) Engine Reset

- No items subjected to, all except counters are subjected to reset, as a common spec. (See Table 4-1).
- Engine maintenance mode menu system



1.4 User Factory Set Operation

The desired destination can be set by turning the power on while depressing two keys corresponding to the destination according to the following table.

Destination	Keys to be Depressed
ODA	MENU ▸
OEL	MENU ◀
INT A (A4) (Australia, etc.)	MENU, PAPER SIZE
INT L (Letter) (Singapore, etc.)	MENU, TRAY TYPE

This function shall not be open for users.

RS-232C Serial Interface (Option)

1) Connector

- Printer side : 25-pin receptacle - Type DB-25S (made by Canon) or equivalent
- Cable side : 25-pin plug - Type DB-25S (made by Canon) Shell - Type DB-C8-J10-F2-1 (made by Nihon Kouku Denshi) or equivalent

2) Cable

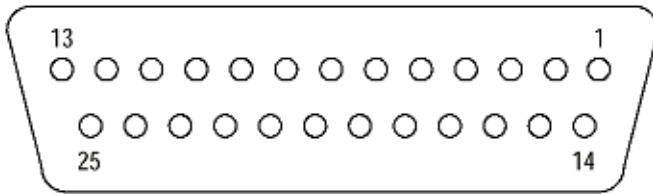
- Cable length : 6 ft (1.8 m) max.

(A Shielded cable composed of twisted pair wires is recommended for noise prevention.)

Note: Cable is not supplied with the printer.

Pin No.	Signal Name	Abbreviation	Signal direction	Functions
1	Frame Ground	FG	FG	Frame Ground
2	Transmitted Data	TD	<-- PR	Transmitted Data
3	Received Data	RD	--> PR	Received Data
4	Request to Send	RTS	<--	Stay space level
5	--			(Not connected)
6	--			(Not connected)
7	Signal Ground	SG		Signal Ground
9 - 17	--			(Not connected)
18	--			(Not connected)
19	--			(Not connected)
20	Data Terminal Ready	DTR	<--	Data terminal ready
21 - 25	--			(Not connected)

- Connector pin arrangement



(View from the cable side)

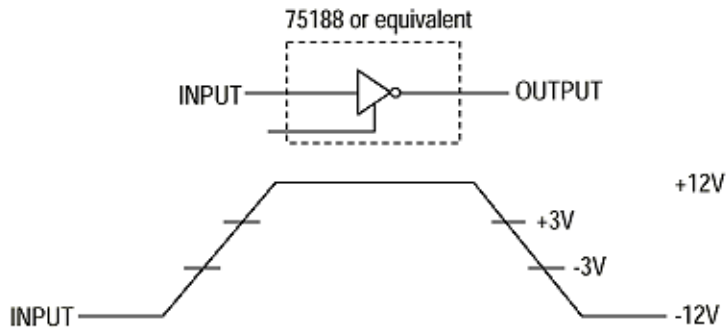
When the Ready/Busy protocol is used for the buffer busy control method, the busy signal can be set to the Pin-20 (DTR) in the menu.

4) Signal Level

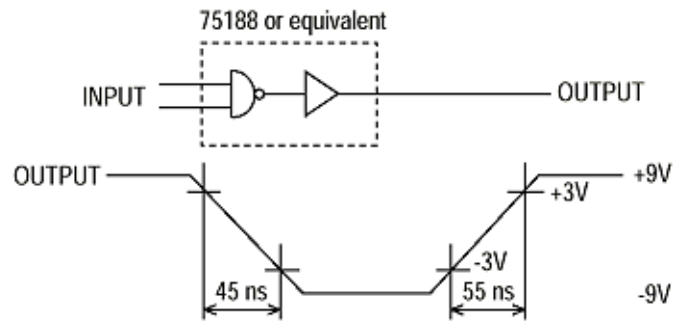
- MARK polarity : -3V to -15V (LOGIC = 1)
- SPACE polarity : +3V to +15V (LOGIC = 0)

5) Interface Circuit

a) Receiving Circuit



b) Sending Circuit



6) Receive Margin

37% min. at all reception rates.

7) Communications Protocol

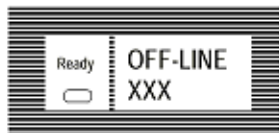
- a) READY/BUSY protocol
- b) X-ON/X-OFF protocol

8) Interface Parameter Setting

The following settings are possible by pressing the ENTER key, after selecting the display contents of the LCD of the operator panel by using the ◀ and ▶ keys.

Settings are retained even when the printer power is turned off.

By pressing the ON LINE key, menu setting mode is completed and the printer returns to online state.



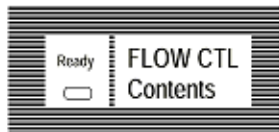
XXX : PCL, AUTO, Adobe PS, HEX DUMP, PRR or FX

Keep the MENU key down for more than 2 seconds and bring the printer into menu setting mode (level 2). Next, press the MENU key 10 times.



"RS232C SERIAL" is displayed on the LCD.

Press the ENTER key.

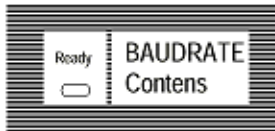


Item	Flow CTL
Contents of Display	Function
DTR HI	SPACE-READY
DTR LO	MARK-READY
XONXOFF	
RBSTXON	Sending at intervals of 1 sec.

Factory Setting: DTR HI



Press the MENU key.

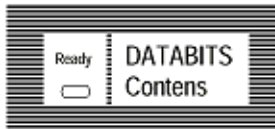


Item	Baud Rate	
Contents of Display	Function	
300	300 baud	
600	600 baud	
1200	1200 baud	
2400	2400 baud	
4800	4800 baud	
9600	9600 baud	
19200	19200 baud	

Factory Setting: 9600 baud



Press the MENU key.



Item	Bit Length	
Contents of Display	Function	
8 BITS	8 bits	
7 BITS	7 bits	

Factory Setting: 8 bit



Press the MENU key.



Item	Parity	
Contents of Display	Function	
NONE	No parity	
EVEN	Even parity	
ODD	Odd parity	

Factory Setting: NONE



Press the MENU key.



Item	Minimum BUSY Time
Contents of Display	Function
200 m SEC	200 ms
1 SEC	1 sec (1000 ms)

Factory Setting: 200 m SEC

(PCL only)



Press the ON LINE key.



Setting completed.

XXX : PCL, AUTO, Adobe PS, HEX DUMP, PRR or FX

1. PREFACE

This Maintenance Manual is intended for the service person and describes the field maintenance methods for Multi-Purpose Feeder option of OKIPAGE 14i Series LED Page Printer. Refer to the Printer Handbook for equipment handling and operation methods.

1.1 Functions

1.2 External View and Component Names

Copyright 2000, Oki Data, Division of OKI America, Inc. All rights reserved. See the Oki Data Business Partner Exchange (BPX) for any updates to this material. (<http://bpx.okidata.com>)

1.1 Functions

This optional Multi-Purpose Feeder is installed on the front section of the printer, and it supplies paper automatically through the operation of pulse motor, which is driven by signals sent from the printer.

The main functions are:

- Paper that can be used:

[Paper Types]

- Standard Paper: Xerox 4200 (20-lb)
- Special Paper: OHP sheets (for PPC), label sheets (PPC sheets)

* Not guaranteed for OHP sheets with attachments on the edge or reverse side.

- Cut Sheet Size: Letter, Executive, A4, A5, B5, A6

Special Size: Width: 3.425 TO 8.504 inches; Length: 5.827 to 11.69 inches

[Weight and Thickness]

- 16-lb to 32-lb (60~128 g/m²)
- For Label and OHP Sheets: Label sheets: 0.003937 to 0.005906 inches; OHP sheets: 0.00315 to 0.004331 inches

* When using sheets which exceed 24-lb, make sure that the paper exits through the face-up route.

1.2 External View and Component Names

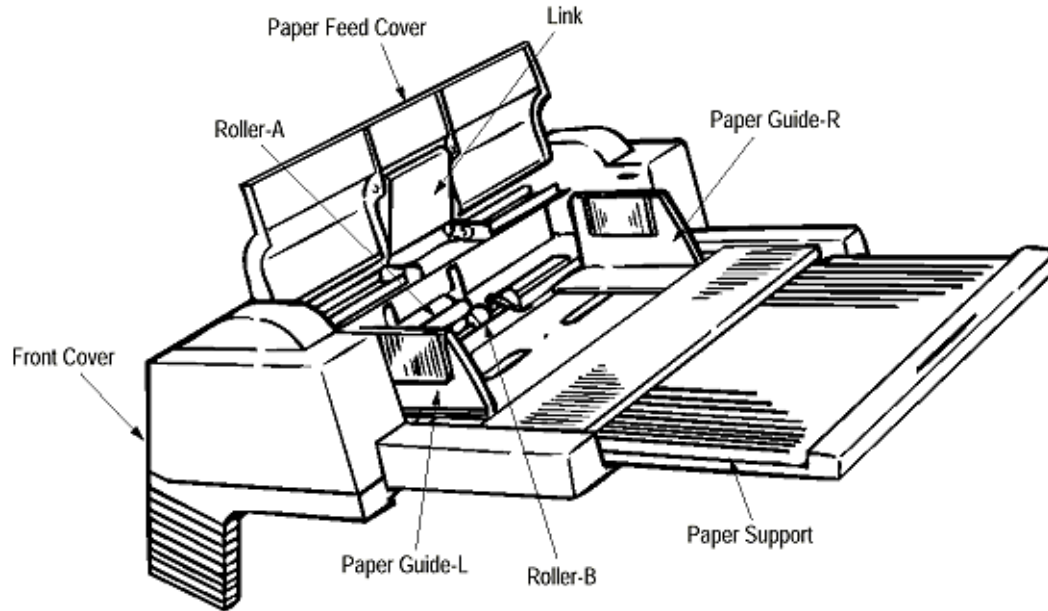


Figure 1-1

2. MECHANISM DESCRIPTION - General Mechanism

The Multi-Purpose Feeder feeds the paper into the printer by receiving the signal from the printer, which drives the pulse motor inside the Multi-Purpose Feeder, and this motion is conveyed to rotate roller-A and B. The paper is delivered from the separator into the printer.

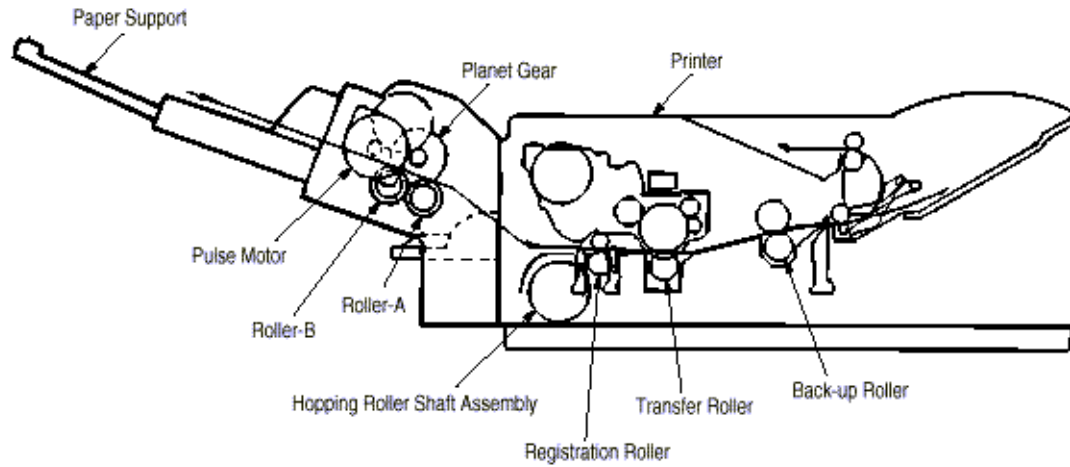
Once delivered into the printer, the paper is then controlled and fed through by pulse motor (Registration) of the printer.

2.1 Hopper Mechanism

Copyright 2000, Oki Data, Division of OKI America, Inc. All rights reserved. See the Oki Data Business Partner Exchange (BPX) for any updates to this material. (<http://bpx.okidata.com>)

2.2 Hopper Mechanism

The hopper automatically feeds the printer with the paper being set, single sheet at a time. After the paper is set in the Multi-Purpose Feeder, the pulse motor moves the paper and a single paper caught by the separator is fed into the printer.



3. PARTS REPLACEMENT

This section covers the procedures for the disassembly, reassembly and installations in the field. This section describes the disassembly procedures, and for reassembly procedures, basically proceed with the disassembly procedures in the reverse order.

3.1 Precautions Concerning Parts Replacement

3.2 Parts Layout

3.3 Parts Replacement Method








3.1 Precautions Concerning Parts Replacement

- (1) Parts replacements must be carried out, by first turning the printer power switch off "O" and removing the Multi-Purpose Feeder from the printer.
- (2) Do not disassemble the Multi-Purpose Feeder if it is operating normally.
- (3) Establish the extent of disassembly suitable for the purpose of the procedure, and do not disassemble any more than necessary.
- (4) Only specified service tools may be used.
- (5) Disassembly must be carried out according to the prescribed procedures. Parts may be damaged if such procedures are not followed.
- (6) Small parts such as screws and collars can easily be lost, therefore these parts should be temporarily fixed in the original location.
- (7) When handling printed circuit boards, do not use any glove which may generate static electricity.
- (8) Do not place the printed circuit boards directly on the equipment or floor.

Service Tools

Table 3-1 shows the tools required for the replacement of printed circuit boards and units in the field.

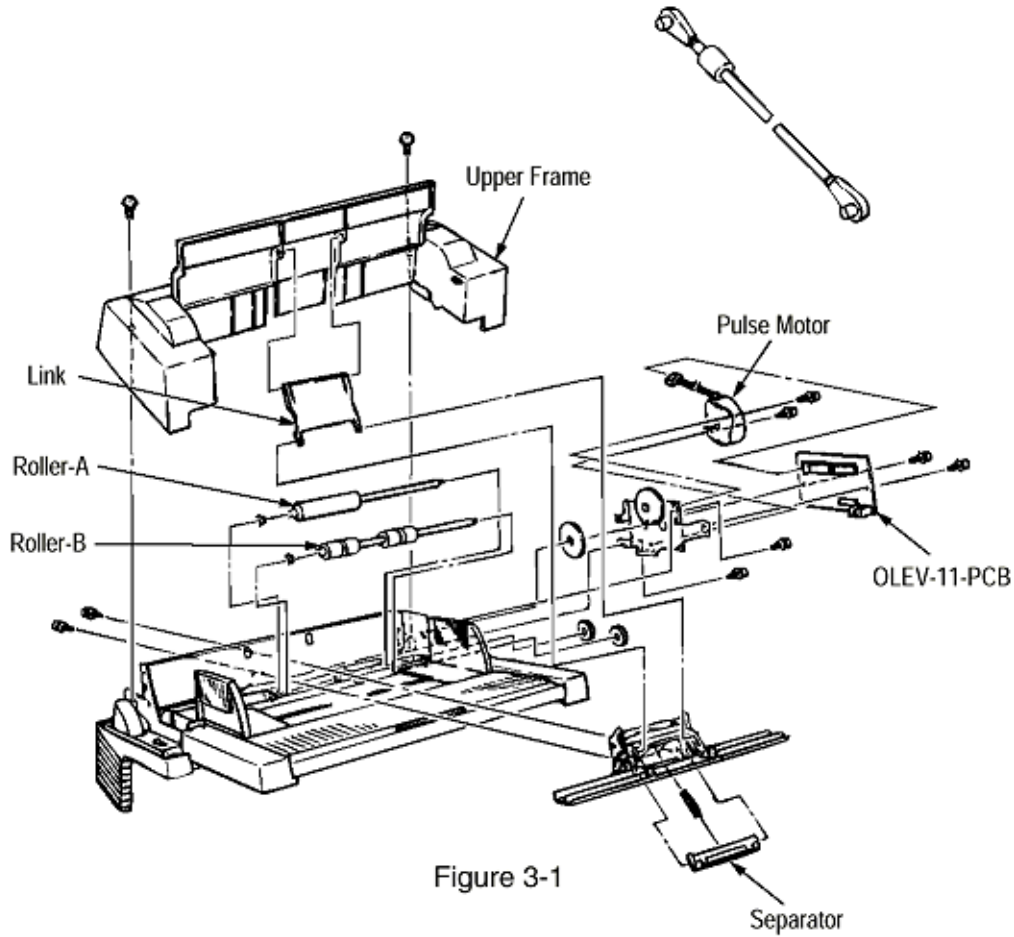
Table 3-1 Service Tools

No.	Service tools	Q'ty	Place of use	Remarks
1	 No. 1-100 Philips screwdriver	1	2 ~ 2.5 mm screws	
2	 No. 2-100 Philips screwdriver	1	3 ~ 5 mm screws	
3	 NO. 3-100 screwdriver	1		
4	 NO. 5-200 screwdriver	1		
5	 Digital multimeter	1		
6	 Pliers	1		
7	 Handy cleaner	1		

Copyright 2000, Oki Data, Division of OKI America, Inc. All rights reserved. See the Oki Data Business Partner Exchange (BPX) for any updates to this material. (<http://bpx.okidata.com>)

3.2 Parts Layout

This section describes the layout of the main components.



Copyright 2000, Oki Data, Division of OKI America, Inc. All rights reserved. See the Oki Data Business Partner Exchange (BPX) for any updates to this material. (<http://bpx.okidata.com>)

3.3 Parts Replacement Methods

This section describes the parts replacement methods for the components listed in the disassembly order diagram below.

Multi-Purpose Feeder

Link - (see 3.3.1)

Separator - (see 3.3.2)

OLEV-11-PCB (see 3.3.3)

Pulse motor (see 3.3.4)

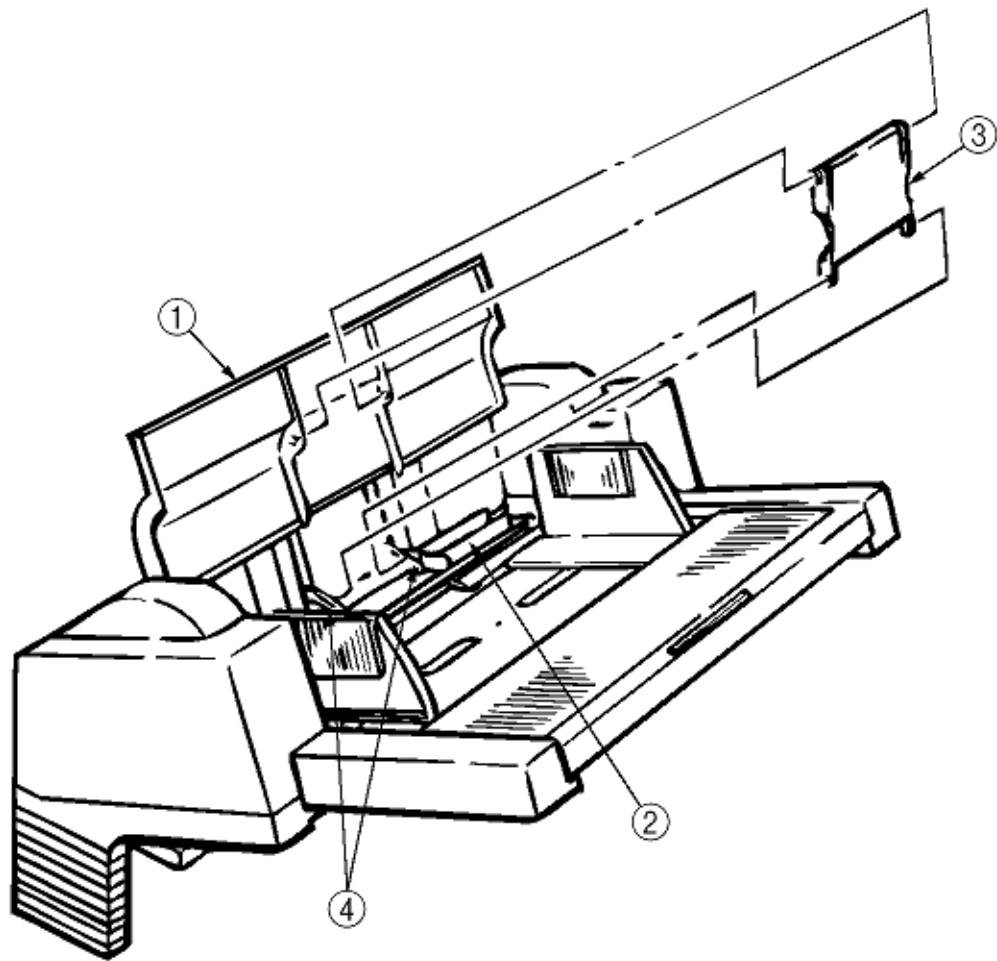
Planet gear (see 3.3.5)

Roller A & B (see 3.3.6)

3.3.1 Link

- (1) Open paper feed cover (1), and disengage the paper feed cover (1) and Link (3), while lifting the paper hold (2).
- (2) Remove the paper hold (2) off the arm (4).
- (3) Disengage the link (3) from the arm (4), and remove it.

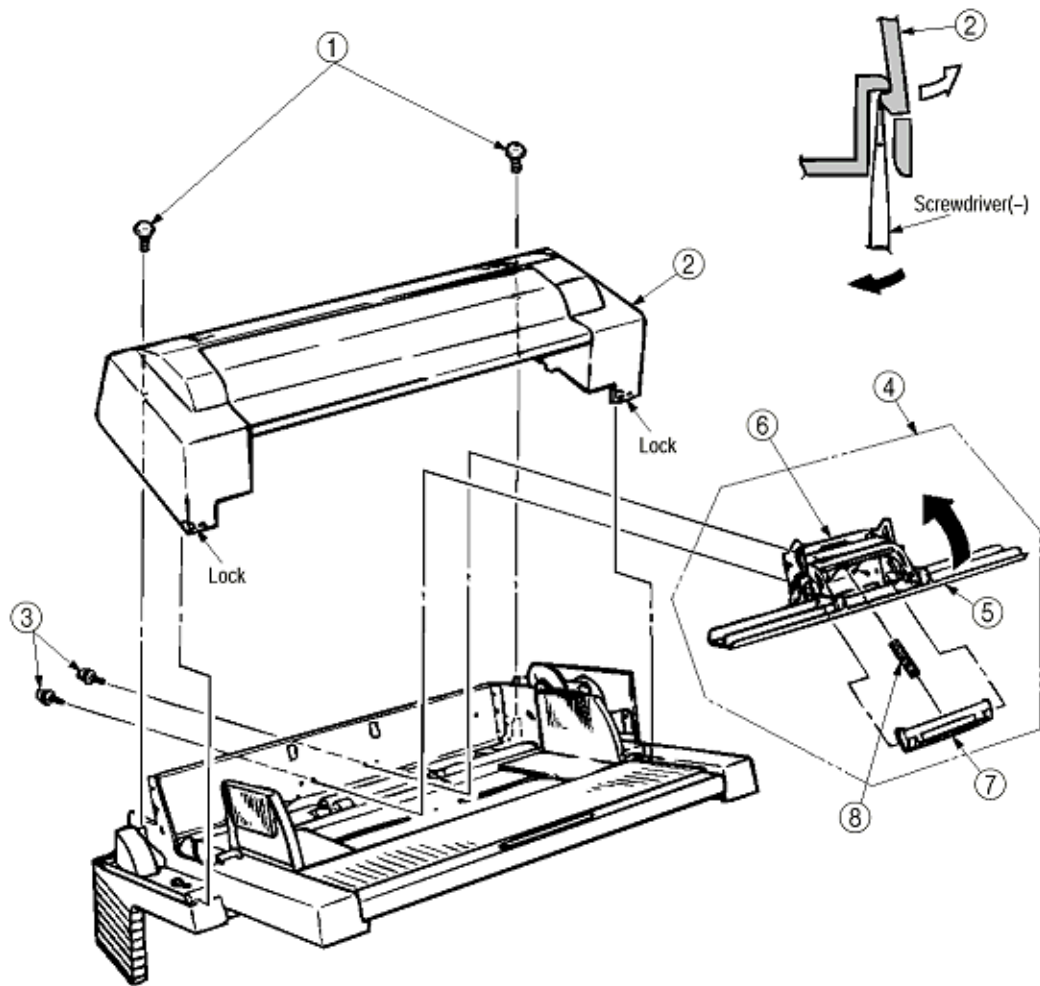
*** Be careful not to deform the link and arm.**



Copyright 2000, Oki Data, Division of OKI America, Inc. All rights reserved. See the Oki Data Business Partner Exchange (BPX) for any updates to this material. (<http://bpx.okidata.com>)

3.3.2 Separator

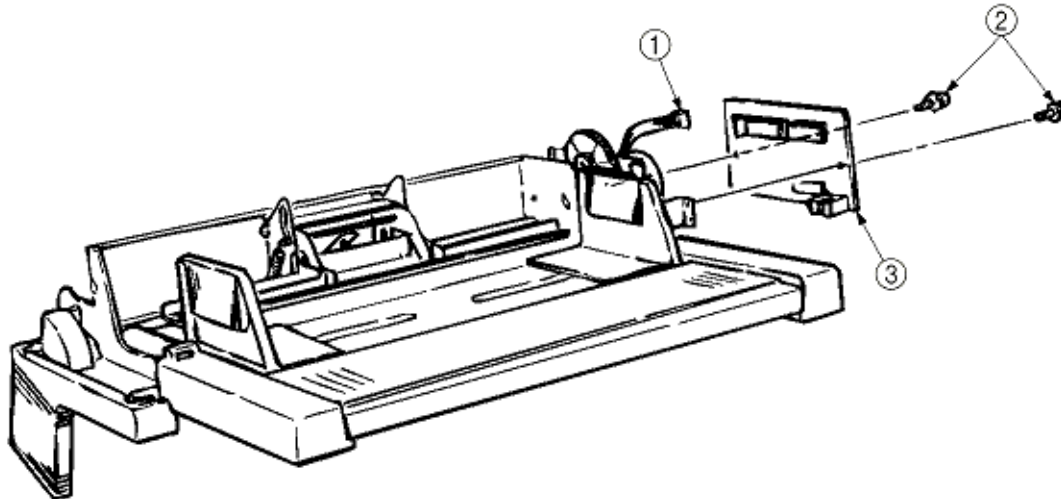
- (1) Turn the power switch off "O" and remove the connector cord.
- (2) Disengage the link and paper feeder cover (see 3.3.1).
- (3) Remove the 2 screws (1), disengage the locks at 2 locations on the upper frame (2) with a screwdriver, and remove the upper frame (2).
- (4) Remove the 2 screws (3), and take out the separator assembly (4).
- (5) Disengage the separator (7) from the separator bracket (6) while lifting the paper hold (5), and take out the separator (be careful not to lose the spring (8) when you are doing this).

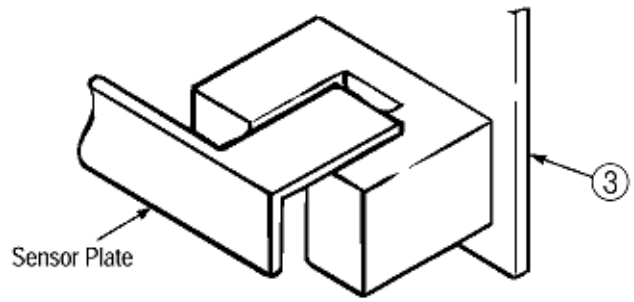


3.3.3 OLEV-11 PCB

- (1) Remove the upper frame (see 3.3.2 steps (1) through (3)).
- (2) Remove the connector (1).
- (3) Remove the 2 screws (2), and remove the OLEV-11 PCB (3).

When mounting the printed circuit board, be careful to make sure that the sensor plate is being set correctly.

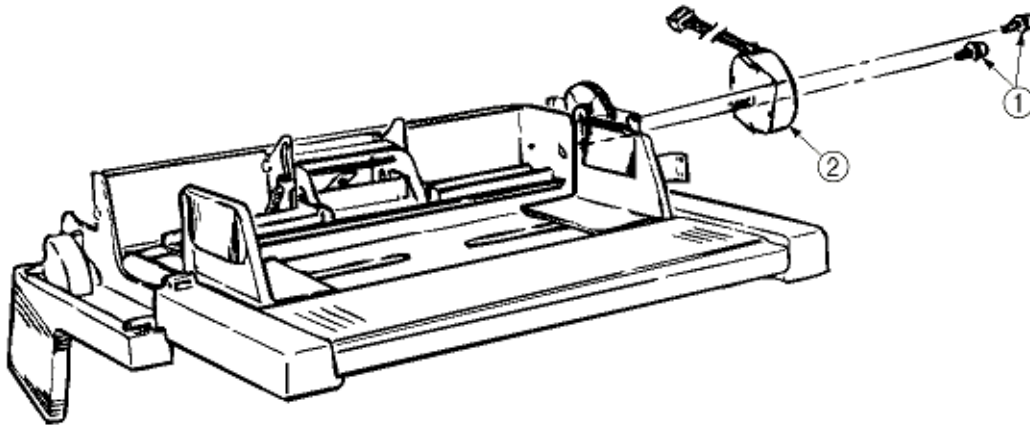




Copyright 2000, Oki Data, Division of OKI America, Inc. All rights reserved. See the Oki Data Business Partner Exchange (BPX) for any updates to this material. (<http://bpx.okidata.com>)

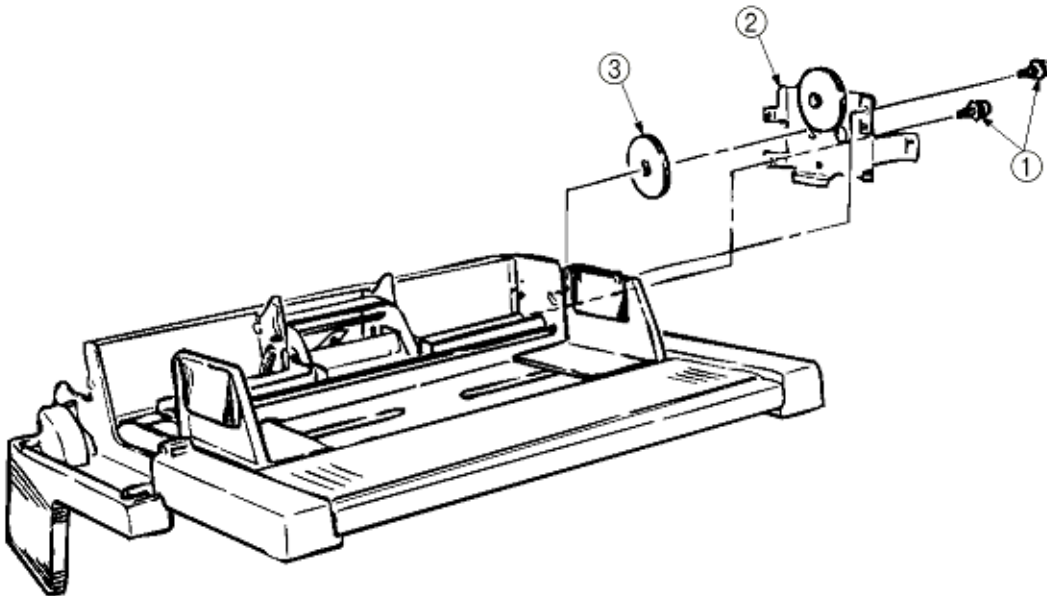
3.3.4 Pulse Motor

- (1) Remove the upper frame (see 3.3.2 steps (1) through (3)).
- (2) Remove the OLEV-11 PCB (see 3.3.3).
- (3) Remove the 2 screws (1), and remove the stepping motor (2).



3.3.5 Planet Gear

- (1) Remove the upper frame (see 3.3.2 steps (1) through (3)).
- (2) Remove the OLEV-11 PCB (see 3.3.3).
- (3) Remove the 2 screws (1), and remove the motor bracket assembly (2) and planet gear (3).

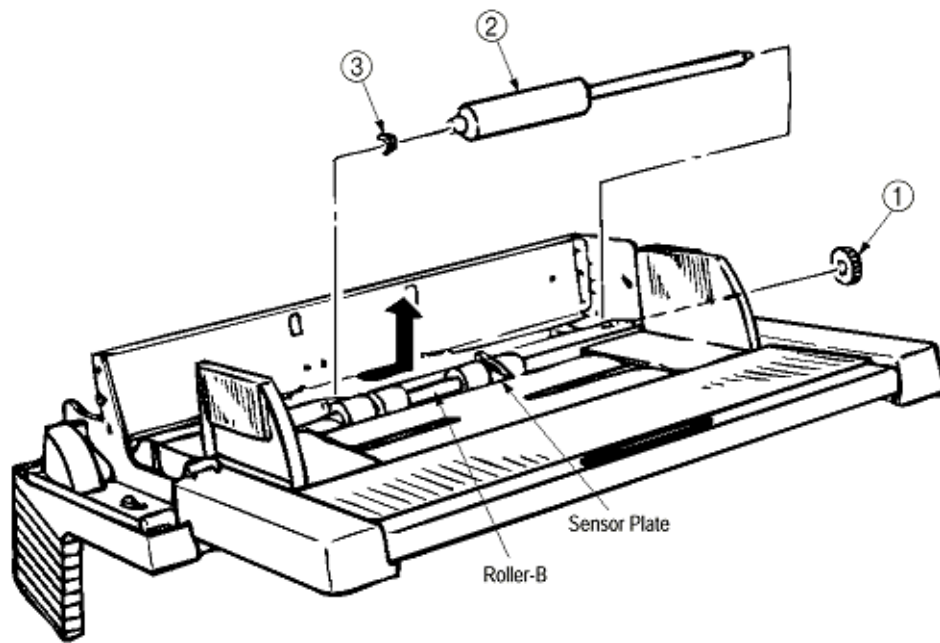


3.3.6 Roller-A and B

While only the removal procedure for roller-A is described here, the removal procedure for roller-B is basically same.

When removing roller-B, however, be careful not to deform the sensor lever.

- (1) Remove the upper frame (see 3.3.2 steps (1) through (3)).
- (2) Remove the separator assembly see (3.3.2).
- (3) Remove the OLEV-11 PCB (see 3.3.3).
- (4) Remove the motor bracket (see 3.3.5).
- (5) Remove the gear (1).
- (6) Shift the roller-A (2) to the right, lift it on its left side and slide it out (the bearing 3 also comes off while you are doing this, so be careful not to lose it).



Copyright 2000, Oki Data, Division of OKI America, Inc. All rights reserved. See the Oki Data Business Partner Exchange (BPX) for any updates to this material. (<http://bpx.okidata.com>)

4. TROUBLESHOOTING - Precautions Prior to the Troubleshooting

- (1) Go through the basic checking items provided in the Printer Handbook.
- (2) Obtain detailed information concerning the problem from the user.
- (3) Go through the checking in the conditions similar to that in which the problem occurred.

4.1 Precautions Prior to the Troubleshooting

4.2 Preparations for the Troubleshooting

4.3 Troubleshooting Method

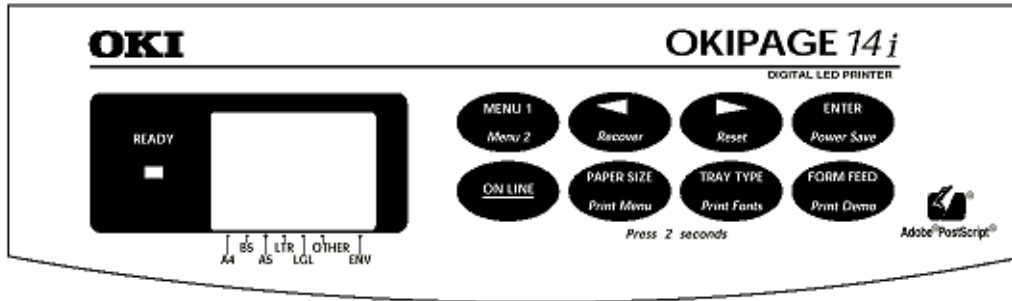
4.1 Precautions Prior to the Troubleshooting

- (1) Go through the basic checking items provided in the Printer Handbook.
- (2) Obtain detailed information concerning the problem from the user.
- (3) Go through the checking in the conditions similar to that in which the problem occurred.

4.2 Preparations for the Troubleshooting

(1) Display on the operator panel

The status of the problem is displayed on the LCD (Liquid Crystal Display) on the operator panel. Go through the appropriate troubleshooting procedures according to the messages displayed on the LCD.



Status message display

Ready LED display

- | | | | |
|---|-------|---|-------------|
|  | : OFF |  | : BLINKING |
|  | : ON |  | : Undefined |

4.3 Troubleshooting Method

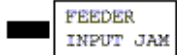
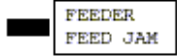
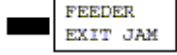
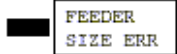
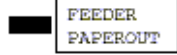
When a problem occurs, go through the troubleshooting according to the following procedure.

4.3.1 LCD Status Message List

Copyright 2000, Oki Data, Division of OKI America, Inc. All rights reserved. See the Oki Data Business Partner Exchange (BPX) for any updates to this material. (<http://bpx.okidata.com>)

4.3.1 LCD Status Message List

The listing of the statuses and problems displayed in the form of messages on the LCD or PC display is provided in Table 4-1.

Classification	LCD Status Message	Description	Recovery method
Jam error	  	Notifies of occurrence of jam while the paper is being fed from Multi-Purpose Feeder.	Check the paper in the Multi-Purpose Feeder. Carry out the recover printing by opening and closing the cover, and turn the error display off. When the problem occurs frequently, go through the Troubleshooting.
Paper size error		Notifies of incorrect size paper feeding from Multi-Purpose Feeder.	Check the paper in the Multi-Purpose Feeder. Also check to see if there was a feeding of multiple sheets. Carry out the recovery printing by opening and closing the cover, and turn the error display off.
Tray paper out		Notifies of no paper state of the Multi-Purpose Feeder.	Load the paper in Multi-Purpose Feeder.

JAM Error

Paper Inlet Jam

- Does paper jam at the inlet when the power is turned on?
 - YES - Is the paper located above the sensor plate (inlet)?
 - YES - Remove the paper.
 - NO - Is the sensor plate (inlet) operating normally?
 - NO - Replace the sensor plate (inlet).
 - YES - Replace the power supply/sensor board or inlet sensor.

- NO - When the paper is fed in, does the paper inlet jam occur?
 - YES - Is the paper being fed to above sensor plate (inlet)?
 - YES - Is the sensor plate (inlet) operating normally?
 - NO - Replace the sensor plate (inlet).
 - YES - Clean the inlet sensor on the power supply/sensor board or replace the power supply/sensor board or inlet sensor.
 - NO - Replace the roller-A or roller-B.
- NO - Are the roller-A and roller-B rotating?
 - YES Set the paper properly.
- NO - Is the pulse motor turning?
 - YES - Replace the planet gear.
- NO - Is the connector cable being connected properly?
 - NO - Connect the connector cable properly.
- YES - Check the coil resistance (approx. 32W) of the pulse motor. Is it normal?
 - NO - Replace the pulse motor.
- YES - Replace the OLEV-11-PCB.

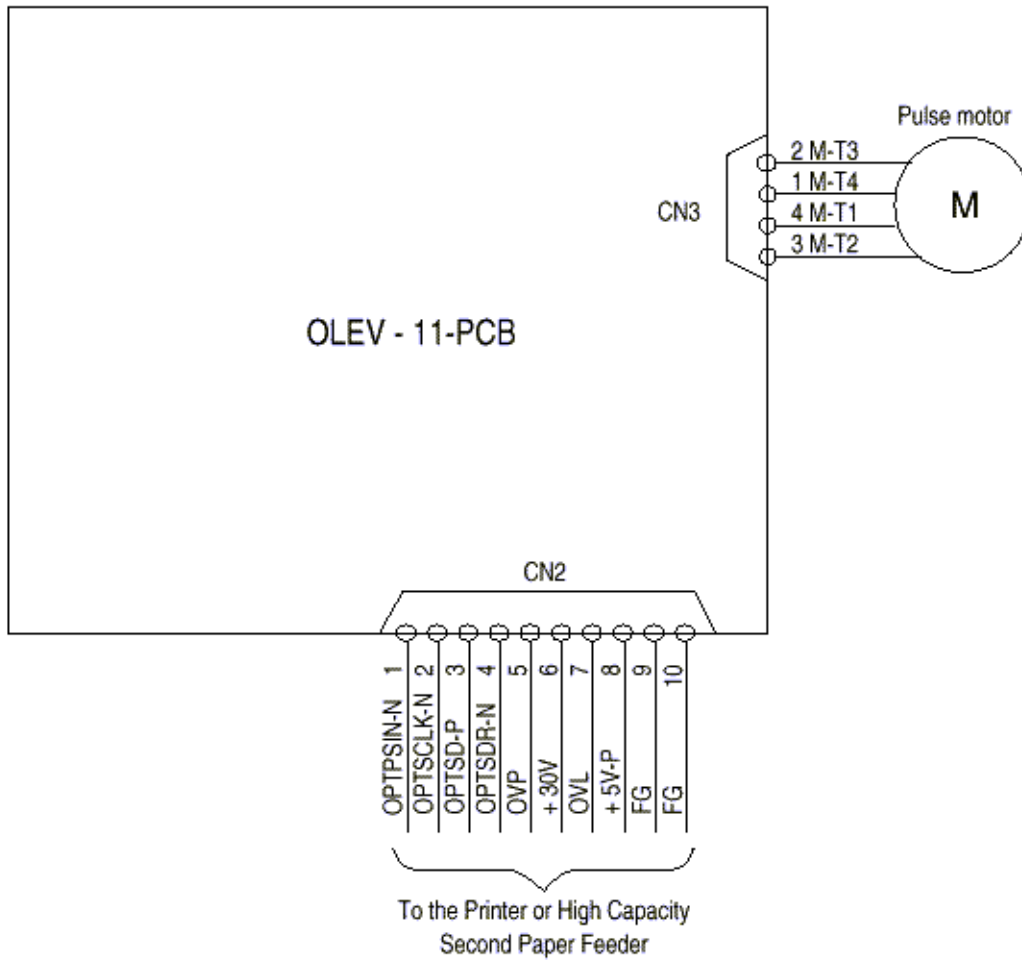
5. CONNECTION DIAGRAM

5.1 Interconnection Diagram

5.2 PCB Layout

Copyright 2000, Oki Data, Division of OKI America, Inc. All rights reserved. See the Oki Data Business Partner Exchange (BPX) for any updates to this material. (<http://bpx.okidata.com>)

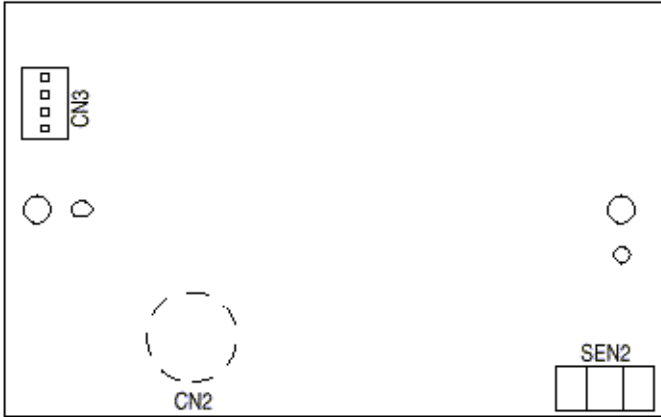
5.1 Interconnection Diagram



(BPX) for any updates to this material. (<http://bpx.okidata.com>)

5.2 PCB Layout

OLEV-11 PCB



6. PARTS LIST

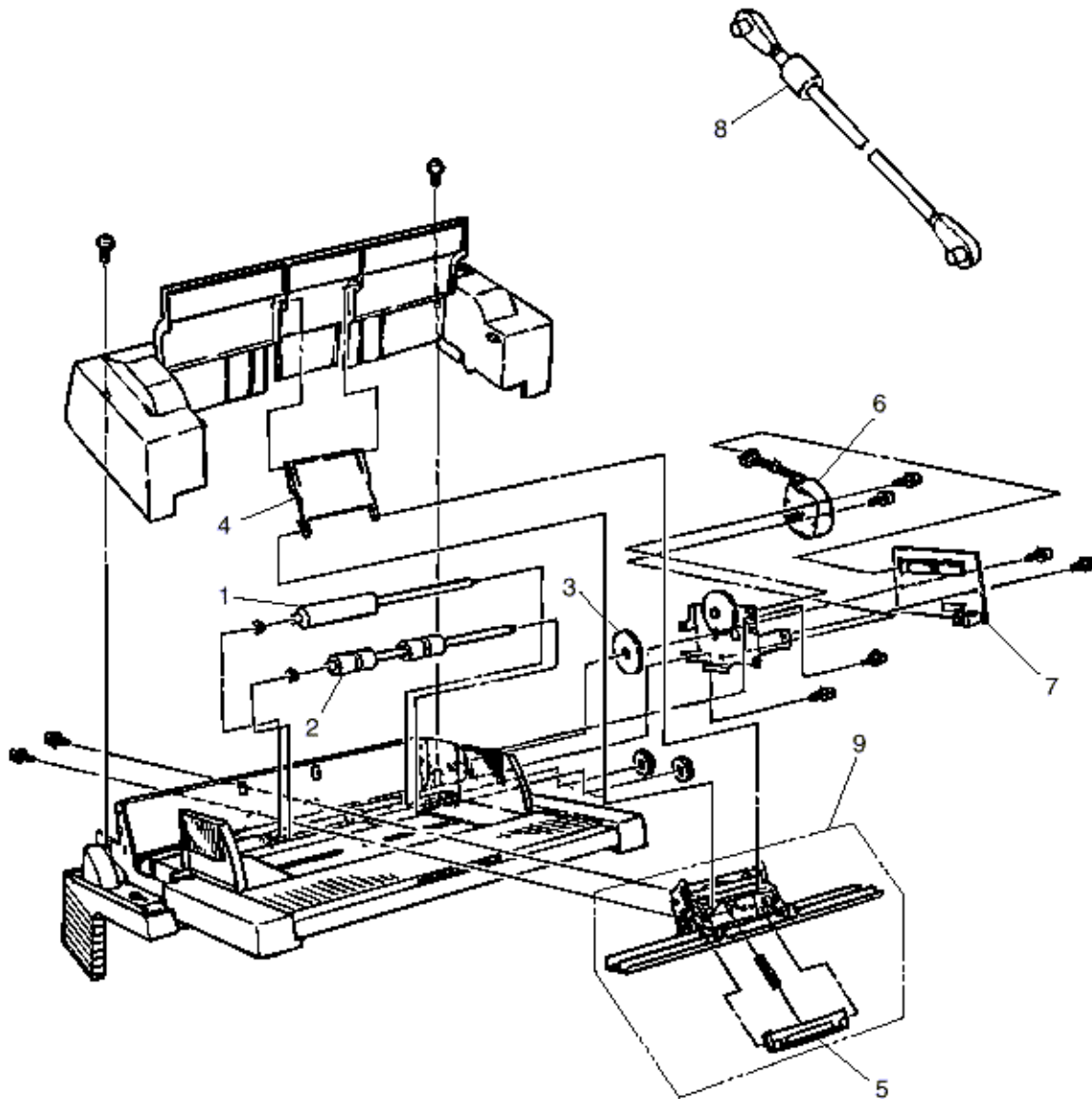


Figure 6-1 Multi-Purpose Feeder

Table 6-1 Multi-Purpose Feeder

No.	Description	ODA Part No.	Q'ty	Remark
1	Roller-A	53343801	1	
2	Roller-B	53343901	1	
3	Planet gear	51229601	1	
4	Link	53344101	1	
5	Separator	53344201	1	
6	Pulse motor	56510701	1	same as printer unit.
7	OLEV-11-PCB	55074811	1	
8	Connector cable	56631203	1	For ODA
9	Separator assy	53347101	1	

Copyright 2000, Oki Data, Division of OKI America, Inc. All rights reserved. See the Oki Data Business Partner Exchange (BPX) for any updates to this material. (<http://bpx.okidata.com>)

High Capacity Second Paper Feeder Maintenance

PREFACE

This Maintenance Manual is intended for the service person and describes the field maintenance methods for High Capacity Second Paper Feeder option of OKIPAGE 14i Series LED Page Printer.

Refer to the Printer Handbook for the equipment handling and operation methods.

1.0 Outline

2.0 Mechanism Description - General Mechanism

3.0 Parts Replacement

4.0 Troubleshooting

5.0 Connection Diagram

6.0 Parts List

1. OUTLINE

1.1 Functions

1.2 External View and Component Names

1.1 Functions

The printer is mounted on top of this High Capacity Second Paper Feeder. The High Capacity Second Paper Feeder supplies paper automatically through the operation of pulse motor (hopping), which is driven by signals sent from the printer.

The main functions are:

- Paper that can be used:

[Paper Type]

- Standard Paper: Xerox 4200 (20-lb)
- Special Paper: OHP Sheets (for PPC), Labels sheets (PPC sheets); use of envelopes or thick paper is not possible.
- Cut sheet size: A4, A5, B5, Letter, Executive, Legal13, Legal14
- Special Size: Paper Width: 5.827 to 8.504 inches; Paper Length: 8.268 to 14 inches

[Weight]

- 16-lb to 24-lb (60 to 90 g/m²)
- Paper setting quantity: 500 sheets of paper weighing 64 g/m²

1.2 External View and Component Names

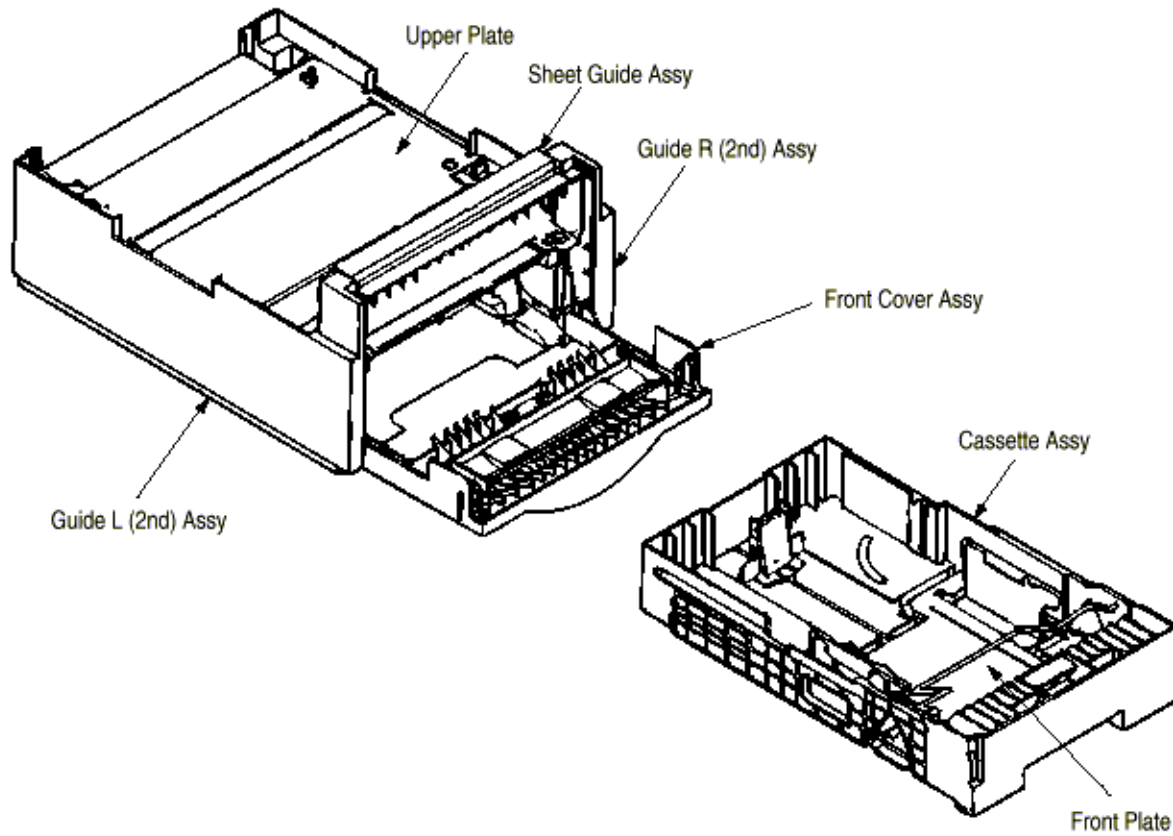


Figure 1-1 External View and Component Names

2. MECHANISM DESCRIPTION - General Mechanism

2.1 General Mechanism

2.2 Hopper Mechanism

Copyright 2000, Oki Data, Division of OKI America, Inc. All rights reserved. See the Oki Data Business Partner Exchange (BPX) for any updates to this material. (<http://bpx.okidata.com>)

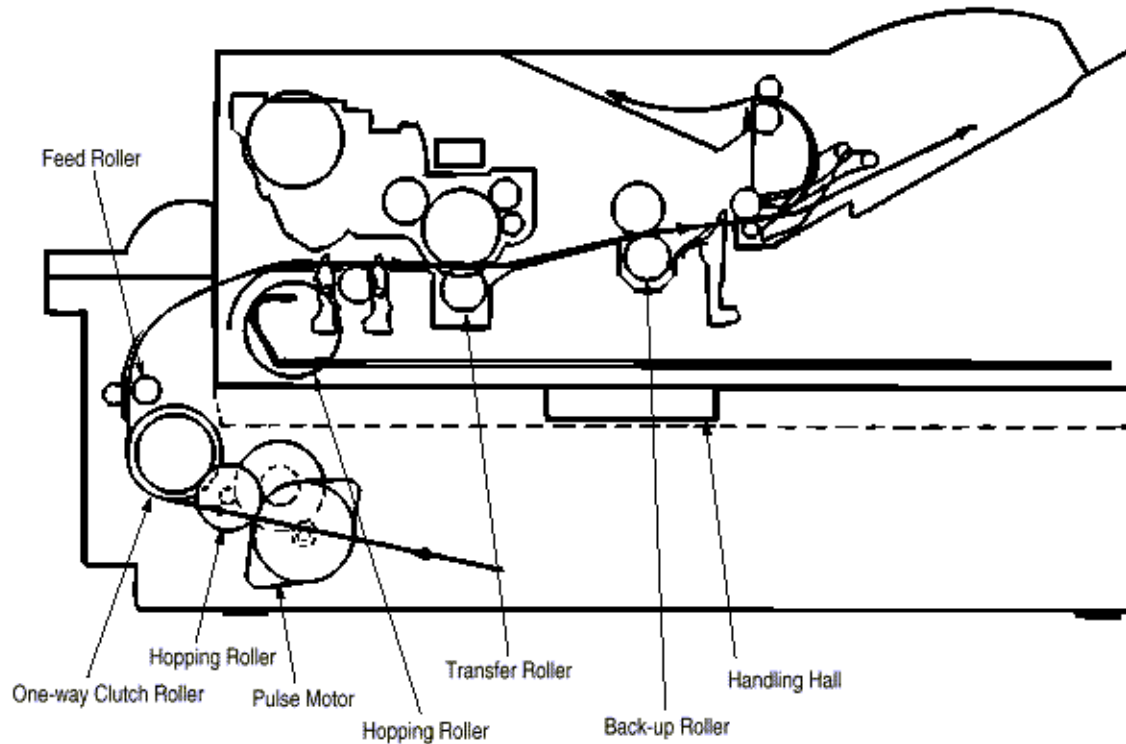
2.1 General Mechanism

The High Capacity Second Paper Feeder feeds the paper into the printer by receiving the signal from the printer, which drives the pulse motor inside the High Capacity Second Paper Feeder. This motion is conveyed to rotate the One-way clutch of the hopping shaft assembly. The paper is delivered from the hopper into the printer through the turning of the hopping shaft assembly.

Once delivered into the printer, the paper is then controlled and fed through by pulse motor (registration) of the printer.

2.2 Hopper Mechanism

The hopper automatically feeds the printer with the paper being set, single sheet at a time. When the paper is loaded in the paper cassette, it is then transported by the pulse motor, carrying forward only a single sheet caught by the brake shoe at a time.



3. PARTS REPLACEMENT

This section covers the procedures for the assembly, disassembly and installations in the field. This section describes the disassembly procedures, and for assembly procedures, basically proceed with the disassembly procedures in the reverse order.

3.1 Precautions Concerning Parts Replacement

3.2 Parts Layout

3.3 Parts Replacement Methods








3.1 Precautions Concerning Parts Replacement

- (1) Parts replacements must be carried out, by first turning the printer power switch off "O" and removing the High Capacity Second Paper Feeder from the printer.
- (2) Do not disassemble the High Capacity Second Paper Feeder if it is operating normally.
- (3) Establish the extent of disassembly suitable for the purpose of the procedure, and do not disassemble any more than necessary.
- (4) Only specified service tools may be used.
- (5) Disassembly must be carried out according to the prescribed procedures. Parts may be damaged if such procedures are not followed.
- (6) Small parts such as screws and collars can easily be lost, therefore these parts should be temporarily fixed in the original location.
- (7) When handling printed circuit boards, do not use any glove which may generate static electricity.
- (8) Do not place the printed circuit boards directly on the equipment or floor.

[Service Tools]

Table 3-1 shows the tools required for the replacement of printed circuit boards and units in the field.

Table 3-1 Service Tools

No.	Service tools	Q'ty	Place of use	Remarks
1	 No. 1-100 Philips screwdriver	1	2 - 2.5 mm screws	
2	 No. 2-100 Philips screwdriver	1	3 - 5 mm screws	
3	 NO. 3-100 screwdriver	1		
4	 NO. 5-200 screwdriver	1		
5	 Digital multimeter	1		
6	 Pliers	1		
7	 Handy cleaner	1		

Copyright 2000, Oki Data, Division of OKI America, Inc. All rights reserved. See the Oki Data Business Partner Exchange (BPX) for any updates to this material. (<http://bpx.okidata.com>)

3.2 Parts Layout

This section describes the layout of the main components.

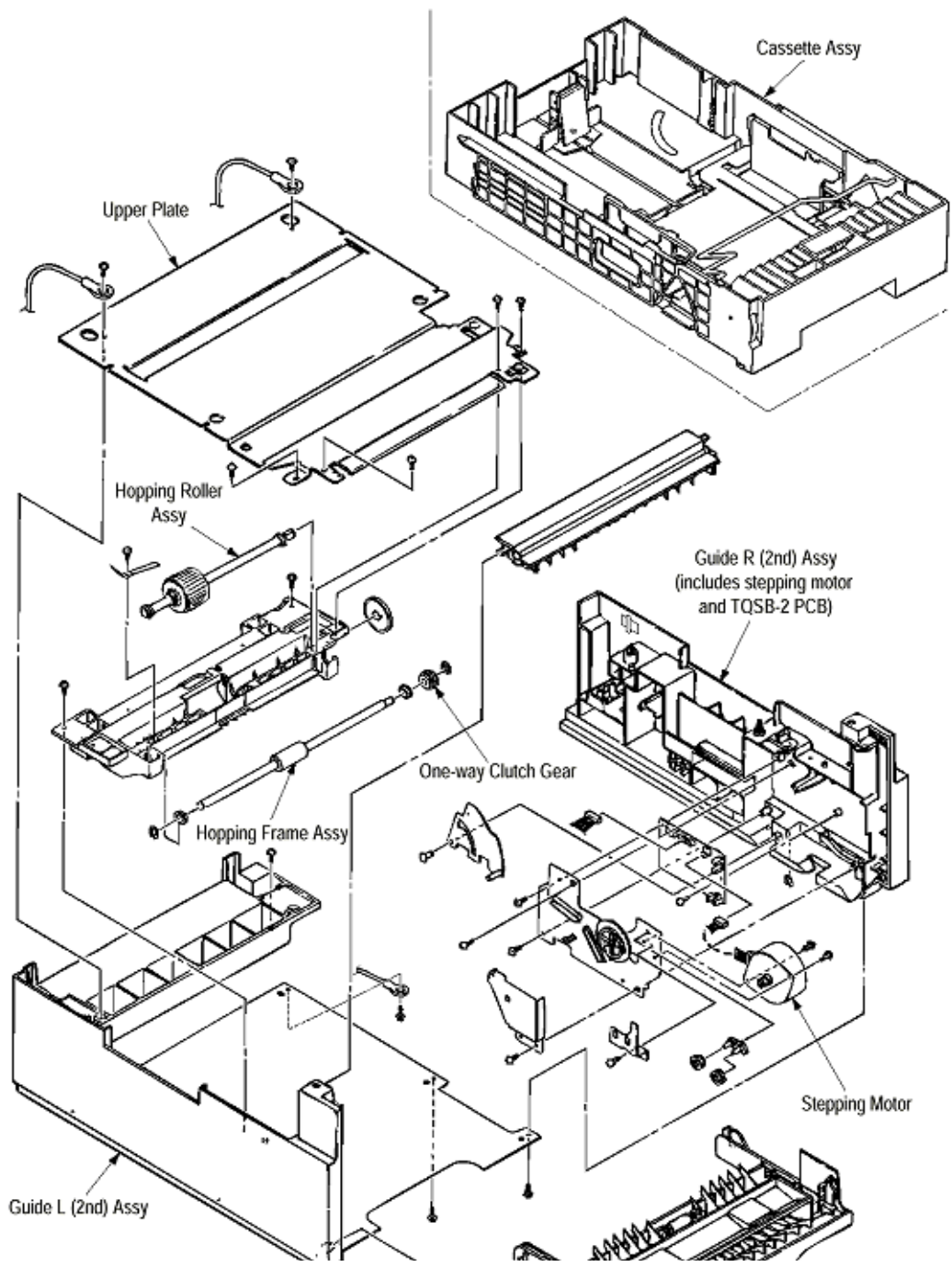


Figure 3-1

Copyright 2000, Oki Data, Division of OKI America, Inc. All rights reserved. See the Oki Data Business Partner Exchange (BPX) for any updates to this material. (<http://bpx.okidata.com>)

3.3 Parts Replacement Methods

This section describes the parts replacement methods for the components listed in the disassembly order diagram below.

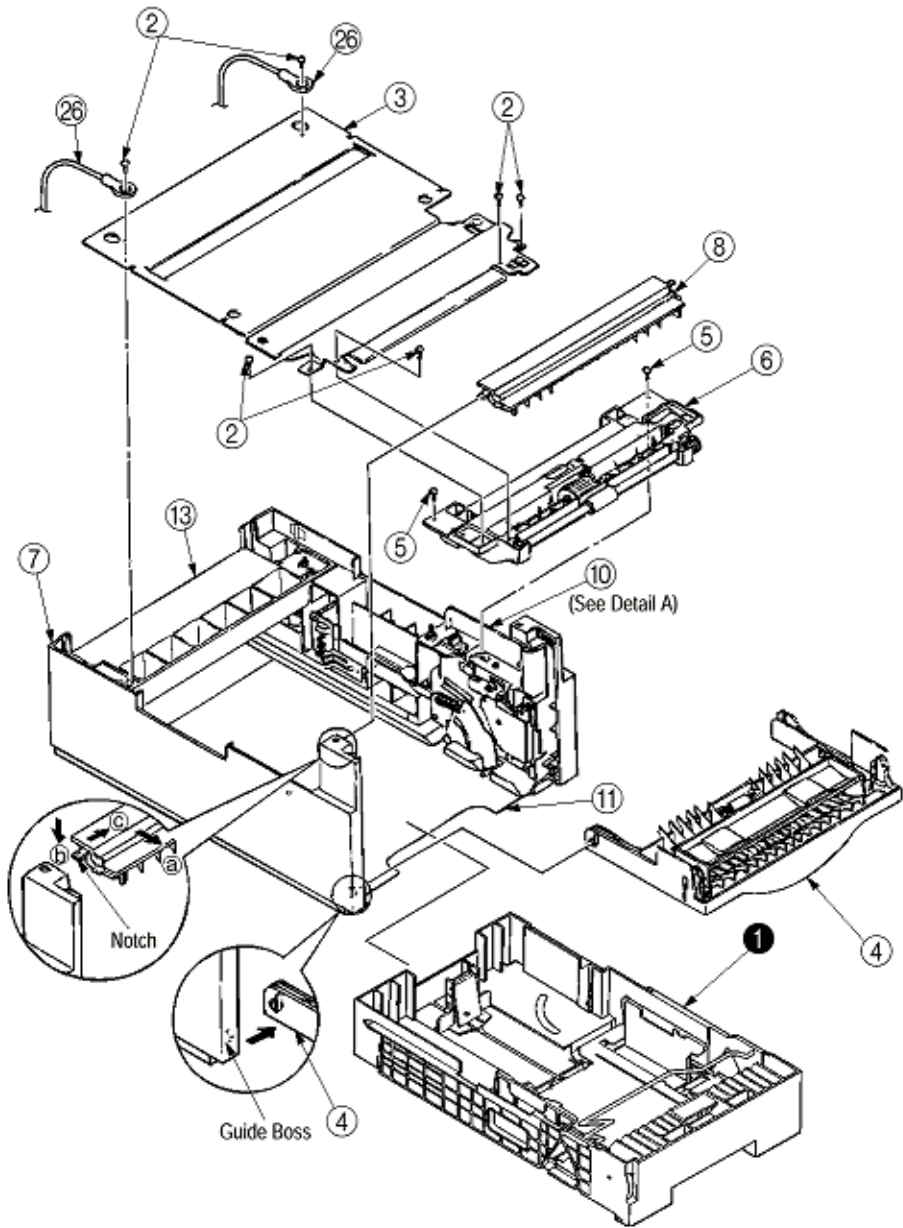
3.3.1 Stepping Motor (Hopping)

3.3.2 TQSB-2 PCB

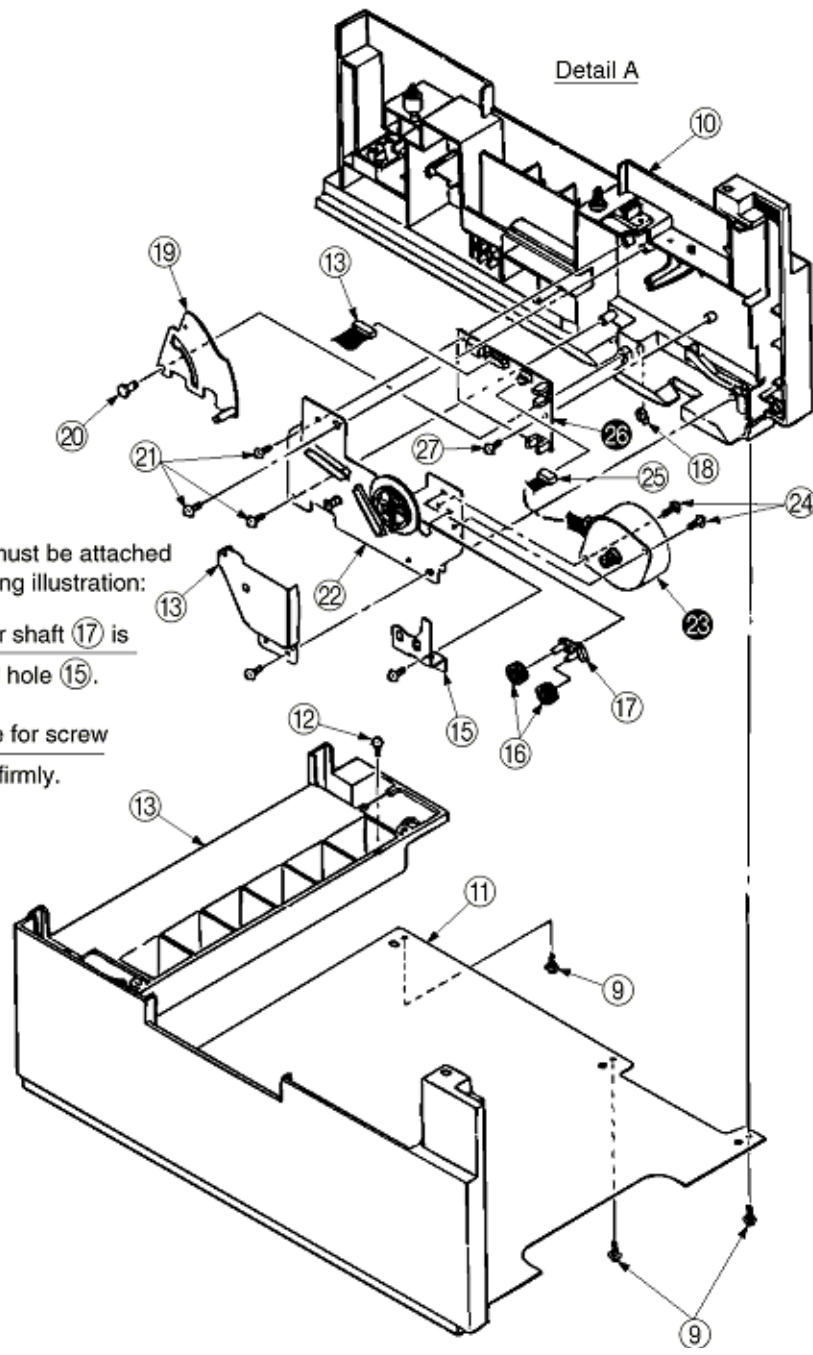
3.3.3 Hopping Roller Shaft Assy and One-way Clutch Gear

3.3.1 Stepping Motor (Hopping)

- (1) Turn the printer power switch off, pull out the AC cord from the outlet. Remove the printer off High Capacity Second Paper Feeder.
- (2) Take the paper cassette assy (1) out of High Capacity Second Paper Feeder.
- (3) Remove six screws (2) and remove the upper plate (3). Remove two screws (5) and remove the hopping frame assy (6).
- (4) Remove the front cover assy (4) off the guide boss on the guide L (2nd) assy (7) by bending the guide L (2nd) assy (7) in the direction of arrow shown in the magnified view below.
- (5) Pull the sheet guide assy (8) in the direction of arrow a and also push in the direction of arrow (b) to unlock the notch, and bring the sheet guide assy (8) in the direction of arrow (c) to remove the sheet guide assy (8).



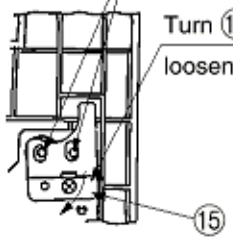
- (6) Remove three screws (9) which are holding the guide R (2nd) assy (10) to the bottom plate (11). Remove the screw (12) which is keeping the rear cover (13) and guide R (2nd) assy (10). Remove the guide R (2nd) assy (10).
- (7) Remove the protect (M) (14), guide bracket (15), planet gears (16) and planet gear bracket (17).
- (8) Remove the E-ring (18) which is keeping the sheet link I on the guide R (2nd) assy (10), and pull out the hinge stand (20).
- (9) Remove three remaining screws (21) which are keeping the motor on the motor bracket (22), and remove the connector off the Stepping Motor (23).
- (10) Remove two screws (24) on the Stepping Motor (23).



Note : The guide bracket ⑮ must be attached as shown in the following illustration:

No jutting of the gear shaft ⑰ is allowed into the oval hole ⑮.

Turn ⑮ clockwise for screw looseness to affix firmly.



The upper plate ③ must be attached as shown in the following illustration.



Copyright 2000, Oki Data, Division of OKI America, Inc. All rights reserved. See the Oki Data Business Partner Exchange (BPX) for any updates to this material. (<http://bpx.okidata.com>)

3.3.2 TQSB-2 PCB

- (1) Remove the pulse motor (see 3.3.1).
- (2) Remove the connector (25) from the TQSB-2 PCB (26).
- (3) Remove the screw (27) and remove the TQSB-2 PCB (26).

Note : Refer to Detail A in the previous section (see 3.3.1).

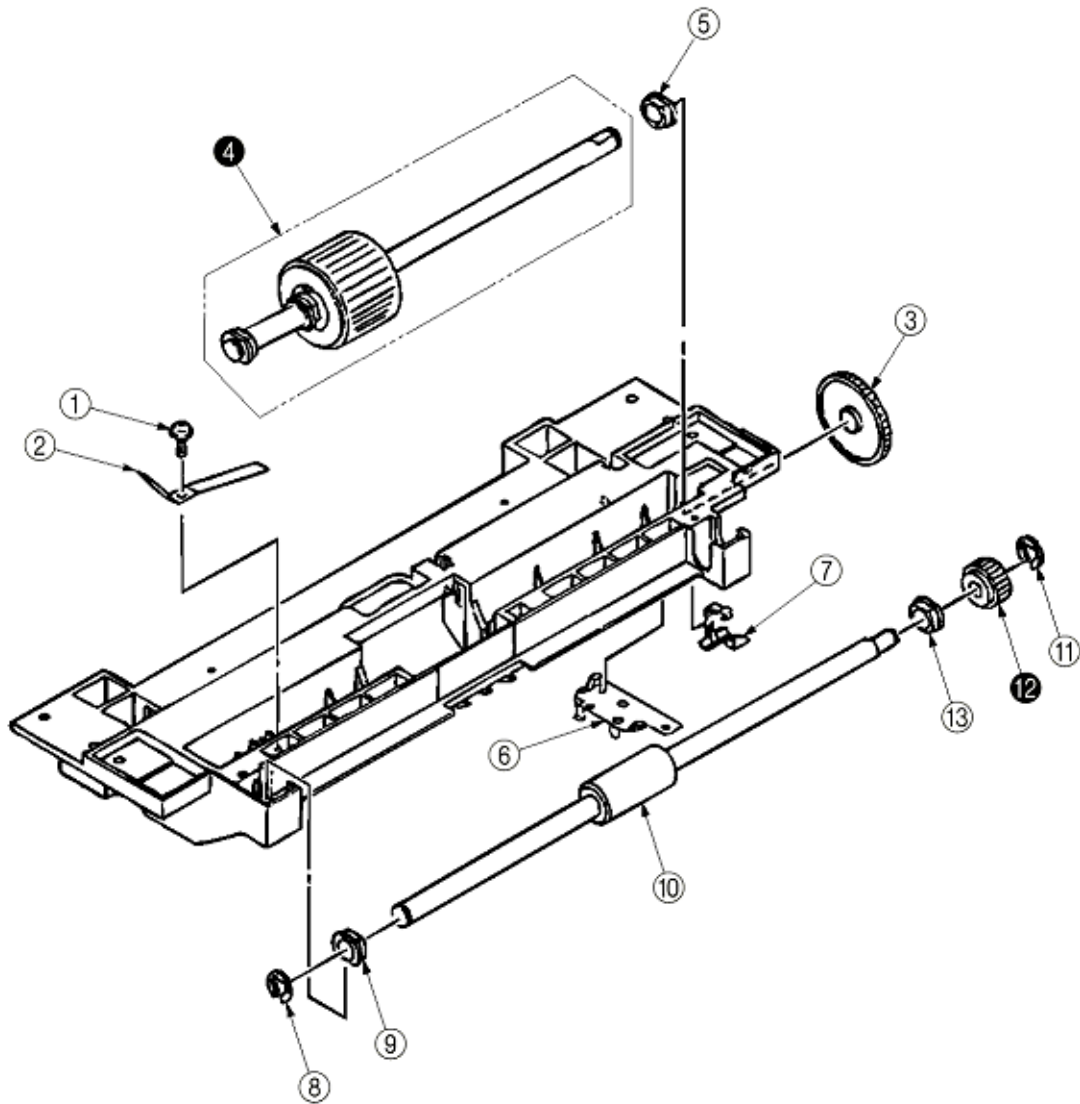
3.3.3 Hopping Roller Shaft Assembly and One-way Clutch Gear

(1) Follow up to step (3) of 3.3.1 and remove the hopping frame assy.

(2) Remove the screw (1) and remove the earth plate (2). Remove the sensor lever (7) and remove the ground plate (6). Remove the gear (3) and remove the metal bush (5) and hopping roller shaft assy (4).

(3) Remove the E-ring (11) and remove the one-way clutch gear (12) on the right side of the feed roller (10).

Note : The metal bush (13) also comes off. Be careful not to lose it.



(BPX) for any updates to this material. (<http://bpx.okidata.com>)

4. TROUBLESHOOTING - Precautions Prior to the Troubleshooting

4.1 Precautions Prior to the Troubleshooting

4.2 Preparations for the Troubleshooting

Copyright 2000, Oki Data, Division of OKI America, Inc. All rights reserved. See the Oki Data Business Partner Exchange (BPX) for any updates to this material. (<http://bpx.okidata.com>)

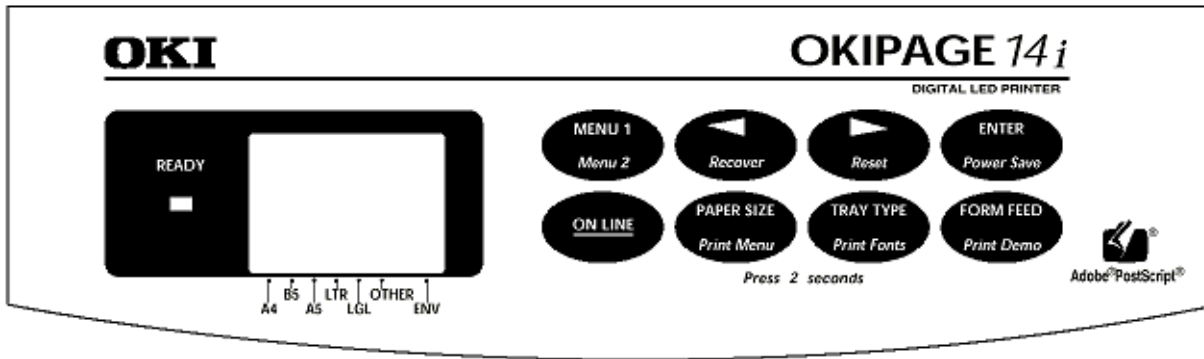
4.1 Precautions Prior to the Troubleshooting

- (1) Go through the basic checking items provided in the Printer Handbook.
- (2) Obtain detailed information concerning the problem from the user.
- (3) Go through the checking in the conditions similar to that in which the problem occurred.

4.2 Preparations for the Troubleshooting

(1) Display on the Operator panel

The status of the problem is displayed on the LCD (Liquid Crystal Display) on the Operator panel. Go through the appropriate troubleshooting procedures according to the messages displayed on the LCD.



Logo print Status message display

Ready LED display

- : OFF
- (with diagonal lines) : ON
- ⊠ : BLINKING
- : Undefined

4.3 Troubleshooting Method

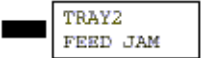
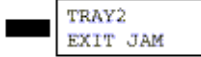
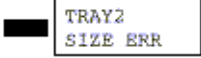
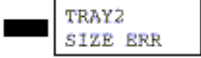
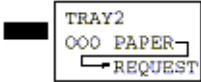
When a problem occurs, go through the troubleshooting according to the following procedure.

4.3.1 LCD Status Message List

4.3.1 LCD Status Message List

The listing of the statuses and problems displayed in the form of messages on the LCD or PC display is provided in Table 4-1.

Table 4-1

Classification	LCD Status Message	Description	Recovery method
Jam error (feeding)		Notifies of occurrence of jam while the paper is being fed from High Capacity Second Paper Feeder.	Check the paper in the High Capacity Second Paper Feeder. Carry out the recovery printing by opening and closing the cover, and turn the error display off. When the problem occurs frequently, go through the Troubleshooting.
Jam error (ejection)		Notifies of occurrence of jam while the paper is being ejected from the printer.	Check the paper in the printer. Carry out the recovery printing by opening and closing the cover, and turn the error display off.
Paper size error		Notifies of incorrect size paper feeding from High Capacity Second Paper Feeder.	Check the paper in the High Capacity Second Paper Feeder. Also check to see if there was a feeding of multiple sheets. Carry out the recovery printing by opening and closing the cover, and turn the error display off.
Tray paper out		Notifies of no paper state of the High Capacity Second Paper Feeder.	Load the paper in High Capacity Second Paper Feeder.
Paper size request	 OOO: Paper size (A4, Letter, Legal, etc. The 2nd line is shift-indicated.	Notifies of correct paper size for the High Capacity Second Paper Feeder.	Load the requested size paper in the High Capacity Second Paper Feeder.

|-----|-----|-----|-----|

(JAM error)

Paper Inlet Jam

- Does paper jam at the inlet when the power is turned on?
 - YES - Is the paper located above the sensor plate (inlet)?
 - YES - Remove the paper.
 - NO - Is the sensor plate (inlet) operating normally?
 - NO - Replace the sensor plate (inlet).
 - YES - Replace the power supply/sensor board or inlet sensor.
- NO - When the paper is fed in, does the paper inlet jam occur?
 - YES - Is the paper being fed to above sensor plate (inlet)?
 - YES - Is the sensor plate (inlet) operating normally?
 - NO - Replace the sensor plate. (inlet)
 - YES - Clean the inlet sensor on the power supply/sensor board or replace the power supply/sensor board or inlet sensor.
 - NO - Replace the hopping roller shaft assy or paper cassette.
- NO - Are the hopping roller and feed roller rotating?
 - YES - Set the paper properly.
- NO - Is the pulse motor turning?
 - YES - Replace the hopping roller shaft assy or one-way clutch gear on the feed roller assy.
- NO - Is the connector being connected properly?
 - NO - Connect the connector properly.
- YES - Check the coil resistance (approx. 4.3W) of the pulse motor. Is it normal?

- NO - Replace the stepping motor.
- YES - Replace the TQSB-2 PCB.

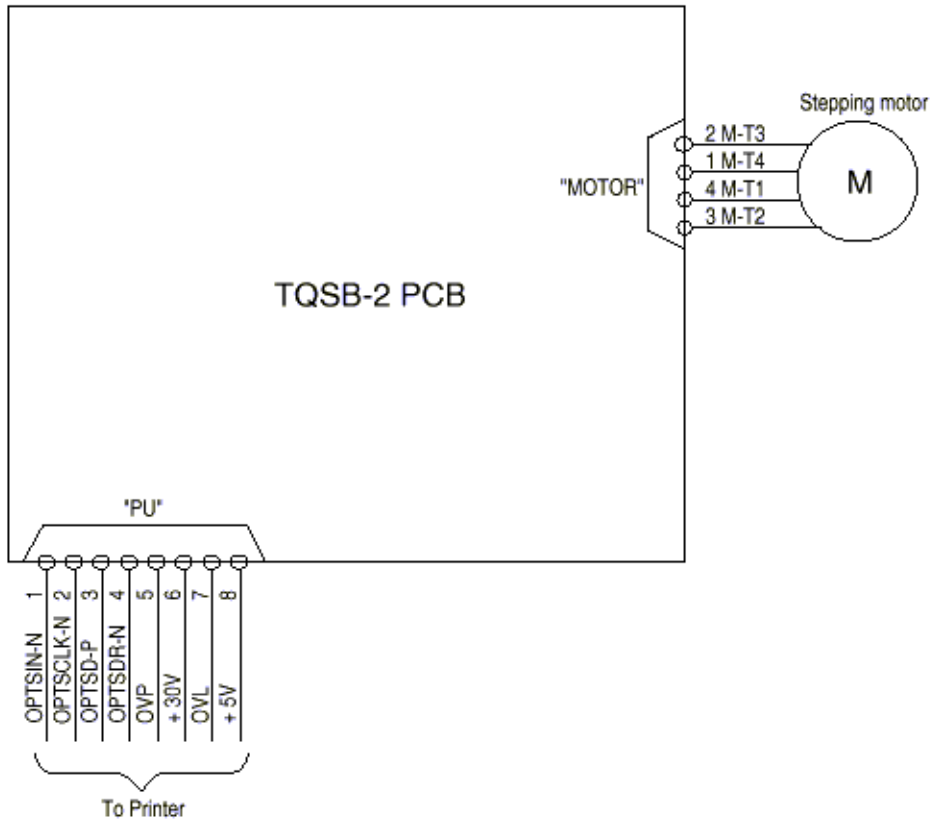
Copyright 2000, Oki Data, Division of OKI America, Inc. All rights reserved. See the Oki Data Business Partner Exchange (BPX) for any updates to this material. (<http://bpx.okidata.com>)

5. CONNECTION DIAGRAM

5.1 Interconnection Diagram

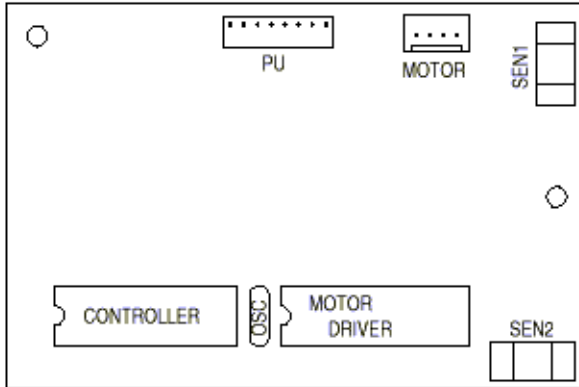
5.2 PCB Layout

5.1 Interconnection Diagram



5.2 PCB Layout

TQSB-2 PCB



6. PARTS LIST

High Capacity Second Paper Feeder

2nd Tray Assembly

Section 1 Cabinet & Cassette Assembly

Section 2 Mechanical Assembly

2nd Tray Parts List

High Capacity Second Paper Feeder

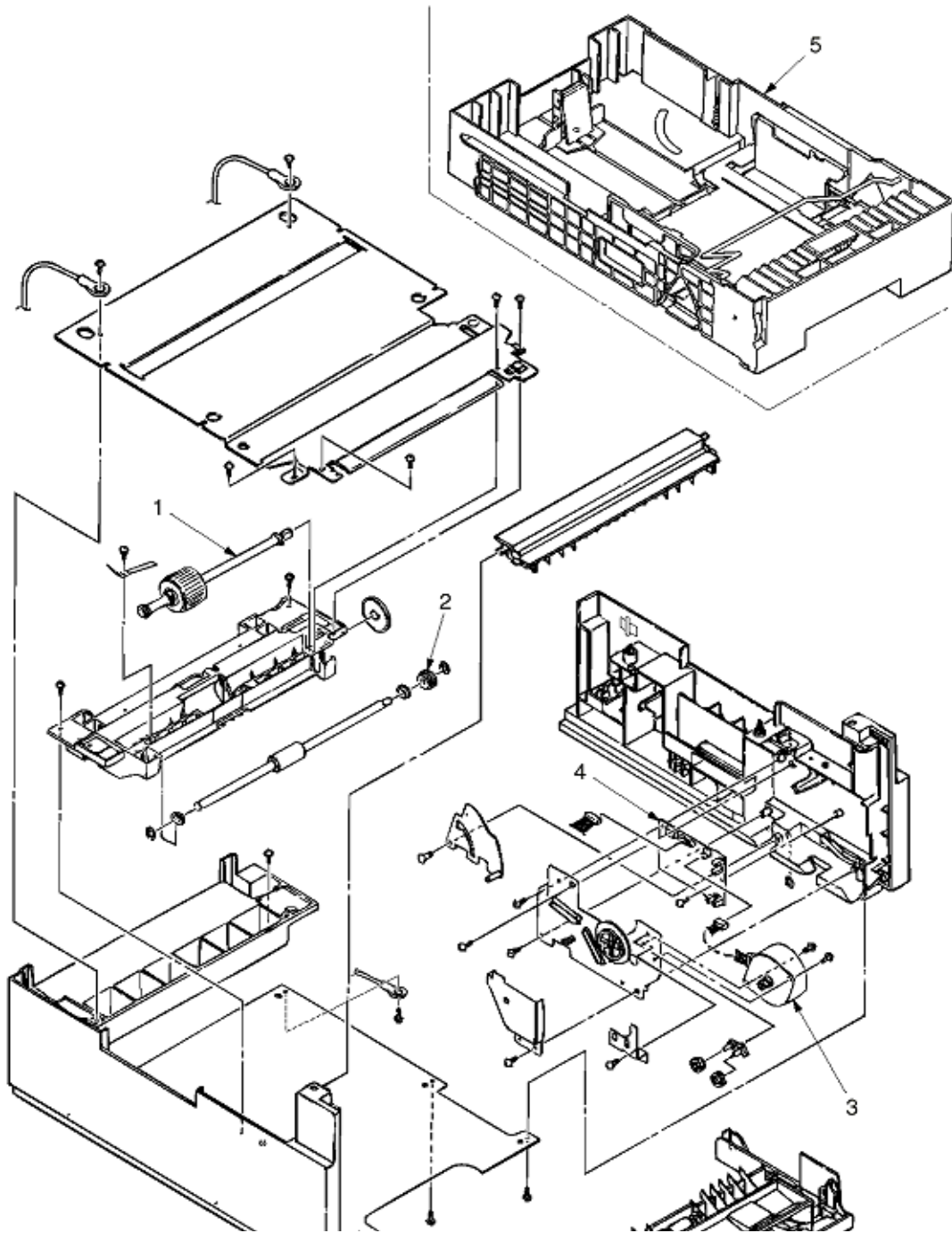


Figure 6-1 High Capacity Second Paper Feeder

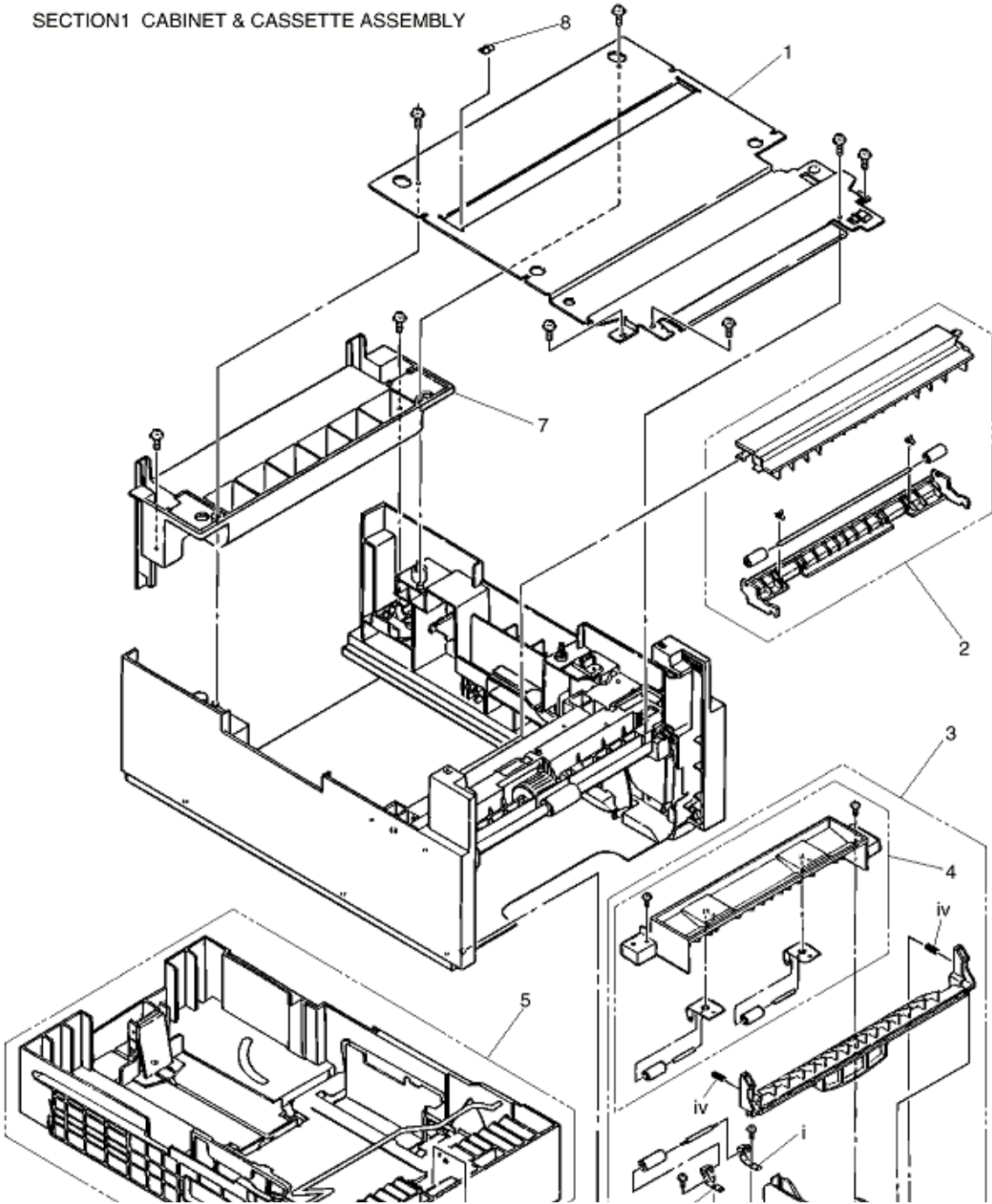
Table 6-1 High Capacity Second Paper Feeder

No.	Description	ODA Part No.	Q'ty	Remarks
1	Hopping roller shaft	50409501	1	
2	One-way clutch gear	51401101	1	
3	Pulse motor	56512201	1	
4	TQSB-2 PCB	55078102	1	
5	Cassette assy (2nd tray)	50107304	1	

Copyright 2000, Oki Data, Division of OKI America, Inc. All rights reserved. See the Oki Data Business Partner Exchange (BPX) for any updates to this material. (<http://bpx.okidata.com>)

SECTION 1 CABINET & CASSETTE ASSEMBLY

SECTION1 CABINET & CASSETTE ASSEMBLY

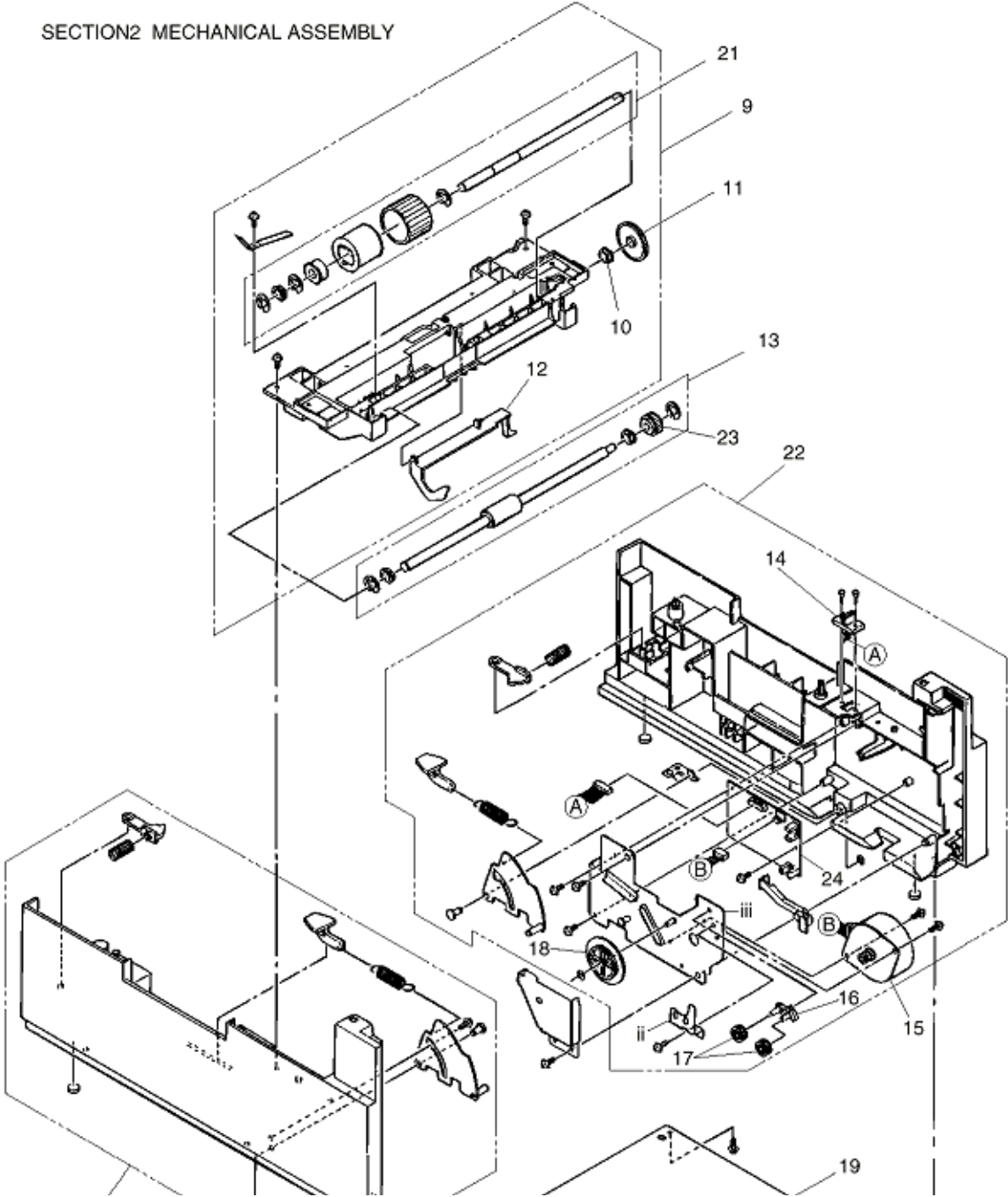


2nd Paper Tray Parts List

Copyright 2000, Oki Data, Division of OKI America, Inc. All rights reserved. See the Oki Data Business Partner Exchange (BPX) for any updates to this material. (<http://bpx.okidata.com>)

SECTION 2 MECHANICAL ASSEMBLY

SECTION2 MECHANICAL ASSEMBLY



2nd Paper Tray Parts List

Copyright 2000, Oki Data, Division of OKI America, Inc. All rights reserved. See the Oki Data Business Partner Exchange (BPX) for any updates to this material. (<http://bpx.okidata.com>)

2nd Tray Parts List

Table 6-2

No.	Description	OKIDATA Part #	Qty/U	500	100
1	Plate, upper	51023301	1	3	5
2	Sheet guide assembly	50222001	1	3	5
3	Front cover assembly	53075301 *	1	3	5
4	Inner guide assembly	50221501	1	3	5
5	Cassette assembly (2nd tray)	50107304 ***	1	3	6
6	Separation frame assembly	50222101	1	6	12
7	Cover, rear	53075201	1	3	5
8	Stick finger	51023401	1	3	5
9	Hopping frame assembly	50222401	1	3	6
10	Bush, metal (ADF)	51608901	1	3	5
11	Gear (z70)	51239001	1	3	5
12	Lever, sensor (p)	50411201	1	3	5
13	Feed roller assembly	50222501	1	3	5
14	Cable & connector	56633901	1	3	5
15	Stepping motor	56512201	1	3	6
16	Bracket	51712001	1	3	5
17	Gear (z24)	51238901	2	3	5
18	Gear (z87/z60)	51239101	1	3	5
19	Plate, bottom	51023201	1	3	5
20	2nd cassette guide (L) assy	50222301	1	3	6
21	Hopping roller assembly	50409501	1	3	6
22	2nd cassette guide (R) assy	50222201 **	1	3	6
23	One-way clutch gear	51401101	1	6	12
24	TQSB-2 PCB	55078102	1	3	6

* For the rev. no. of the Parts List for the Front cover assembly should be applied No. 6. The No. 6 includes a change of Release spring [P194, iv]

** For the rev no. of the Parts List for the 2nd cassette guide (R) assy should be applied No. 5. In the No. 5, the oval hole in the Guide Bracket [P195, ii] and the hole in the Motor Bracket [P195, iii] are relocated as shown in the following illustrations, respectively.

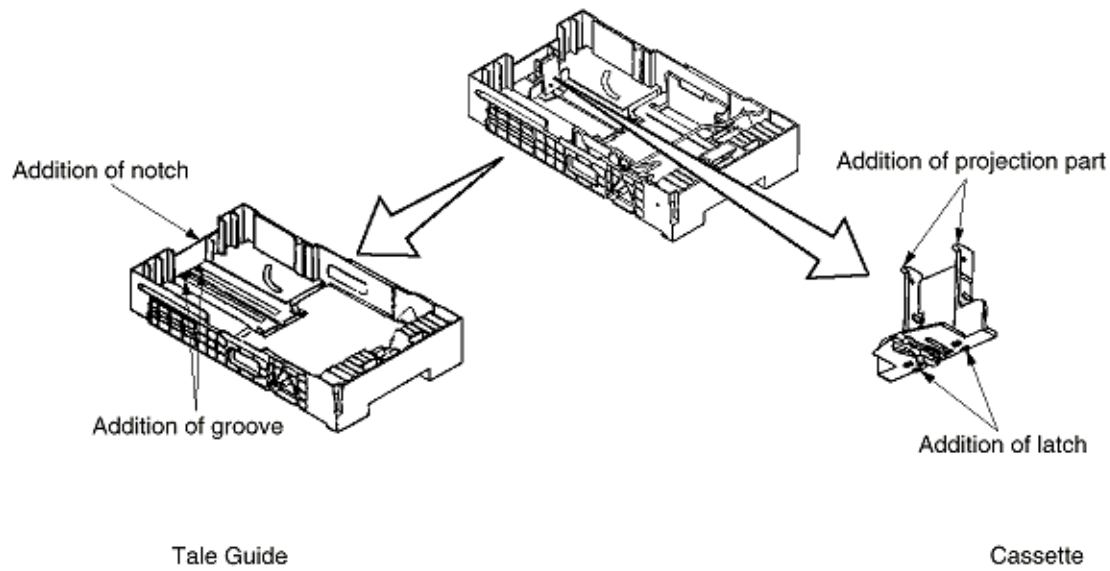
Guide Bracket

Motor Bracket



Note: Part Nos. 3 and 22 need concurrent replacing.

*** For the rev. no. of the Parts List for the Cassette assembly (2nd tray) should be applied No. 10. The No. 10 includes a change of cassette and Tail Guide.



Note: Cassette and Tail Guide need concurrent replacing.

Copyright 2000, Oki Data, Division of OKI America, Inc. All rights reserved. See the Oki Data Business Partner Exchange (BPX) for any updates to this material. (<http://bpx.okidata.com>)

Network Interface (option)

- 1) Connector
- 2) Cable
- 3) Signal
- 4) Appearance
- 5) Physical dimensions
- 6) List of protocols
- 7) TCP/IP
- 8) Netware
- 9) EtherTalk
- 10) NetBEUI
- 11) OKI Original Port
- 12) Others
- 13) Setup
- 14) TROUBLESHOOTING

1) Connector

- 8-pin modular jack

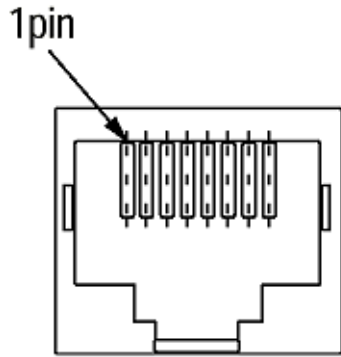
2) Cable

- 10BASE/T

3) Signal

Contact No.	Plug	Jack	Polarity
1	Power feeder 3	-	+
2	Power feeder 3	-	+ -
3	Send	Receive	+
4	Receive	Send	+
5	Receive	Send	-
6	Send	Receive	-
7	Power feeder 2	Power feeder 2	-
8	Power feeder 2	Power feeder 2	+

4) Appearance



5) Physical dimensions

a) Transmission method by CSMA/CD

b) Transmission protocol

Packet type	Support	Remarks
Ethernet II	○	
IEEE802.3	○	
IEEE802.3+IEEE802.2	○	
IEEE802.3+IEEE802.2+SNAP	○	

6) List of protocols

Data link layer	Ethernet(DIX), IEEE802.3, IEEE802.2, SNAP
Network layer	IP, ARP, RARP, ICMP, IPX, DDP, AARP, DHCP, NetBEUI
Transport layer	TCP, UDP, SPX, PXP, (NCP), ATP, NBP, RTMP, AEP, NetBIOS, RIP
Session layer	LPR, FTP, Telnet, HTTP, SNMP, Q-Server, R-Printer, SAP, PAP, ZIP, SMB

(Automatic recognition possible for all layers)

7) TCP/IP

a) Support OS

SunOS 4.1.1, SunOS 4.1.2, SunOS 4.1.3
Solaris 2.1, Solaris 2.2, Solaris2.4, Solaris2.5
HP-UX 9.X
Windows3.0+TCP/IP
Windows3.1+TCP/IP
Windows3.11+TCP/IP
Windows95/98
WindowsNT 3.5+TCP/IP
WindowsNT 3.5.1
WindowsNT 4.0
Windows2000

b) LPR

The LPR is an application to process the print data. The LPR of this system supports multiple clients. Furthermore, it provides multiple connections for one client.

Item	Factory default	Setup range	Description
Number of clients concerned	1 to 4 clients	1 to 4 clients	indicates the number of clients which can be connected simultaneously. Allows simultaneous connection of a maximum of four clients.

First command character	LPR option	Objective	Support
H	Specify by default.	Host name of the machine to which the LPR is called. Host name printed on the banner sheet.	O
P	Specify by default.	Login name of the user having called the LPR. User name printed on the banner sheet.	O
J	Specify by -J option.	Job name printed on the banner sheet. Default: File name.	O
C	Specify by -C option.	Job type printed on the banner sheet. Default: System name.	O

L	Specify by default. Cancel the specification by -h option.	Specify literal banner sheet printing.	O
f	Specify the number of volumes by -# option.	Name of the data file to be printed. The number of character strings of this command varies according to the number of volumes. (Not supported).	O
U	Specify by default.	Name of the file to be deleted with completion of printing.	-
I	Specify by -i option.	Number of indent characters in the output line.	-
W	Specify by -w option.	Specify page width.	-
M	Specify by -s option.	Specify sending of a mail with completion of printing.	-
S		Specify the symbolic link to the data file.	O
1/2/3/4	Specify by -1/-2/-3/-4 options.	Specify the font.	-

c) FTP

FTP is an application to process the print data. The FTP of this system supports multiple of clients. Furthermore, it provides multiple connections for one client.

Item	Factory default	Setup range	Description
Number of clients connected		1 to 4 clients	Indicates the number of clients which can be connected simultaneously. Allows simultaneous connection of a maximum of four clients.
Expiration of idle time	90 sec.	1 to 3000 sec.	Indicates the time when the idle time of the connected clients expires.

d) Telnet

Telnet is an application to reference and change the menu of the Network/Printer. The TELNET of this system supports simultaneous connection of multiple clients for the personal user. Furthermore, it provides multiple connections for one client. But it cannot provide two or more simultaneous connections for super users.

Item	Factory default	Setup range	Description
Number of connected clients		1 to 2 clients	Indicates the number of clients which can be connected simultaneously. Allows simultaneous connection of a maximum of four clients.
Terminal mode	VT-100	VT-100	Indicates the control mode of the

			terminal of the connected client. Only the VT-100 alone is the support terminal mode.
Number of columns	80 columns	80 columns	Indicates the number of the digits of the terminal of the connected client. The number of the support digits is fixed at 80.
Number of rows	25 rows	25 rows	Indicates the number of the digits of the terminal of the connected client. The number of the support digits is fixed at 25.
Expiration of idle time	300 sec.	60 to 7200 sec.	Indicates the time when the idle time of the connected clients expires.

e) HTTP

The HTTP is an application to reference and change the menu of the Network/Printer. The HTTP of this system supports simultaneous connection of multiple clients for the personal user. Furthermore, it provides multiple connections for one client.

Item	Factory default	Setup range	Description
HTTP Version	1.0	1.0	Indicates the version of the HTTP being implemented.

f) SNMP

SNMP is an application to reference and change the menu of the Network/Printer. The SNMP of this system supports simultaneous connection of multiple clients for the personal user. Furthermore, it provides multiple connections for one client.

8) Netware

a) Support OS
Netware File Server 2.2C, 3.X,4.X,5 (Bindery Model/ NDS support)

b) R-printer
The R-printer is an application to process the print data. The R-printer of this system supports multiple print serves. Furthermore, it provides one connection for one printer server; it does not allow multiple connections for one printer server.

Item	Factory default	Setup range	Description
Number of connected print servers		1 to 4 servers	Indicates the number of print servers which can be connected simultaneously. Each print server need not be started in advance. Even when the printer is ready for operation, connection is achieved only by starting the print server.
Registered print server name	Null character string	Maximum four servers *Maximum 48 characters"	Indicates the name of the connected print server. Each print server name can be registered up to a maximum of 48 characters.
Registered printer number	0 for all	For four printers	Indicates the printer number inside the connected printer server.
Registered printer name	OKIDATA [three lease significant bytes for MAC address]	1 to 48 characters	Indicates the printer name. The printer name can be registered up to a maximum of 48 characters.
Connection method	SAP method		Indicates the printer server connection method. The SAP method starts connection using the SAP packet from the printer server.
Support P/S version	1.2 to more		Indicates the version of the connected print server.
Support F/S version	2.2C 3.1X, 4.X, 5		Indicates the version of the connected file server. Connection of 2.15C and 2.2 is not confirmed.
Connection retry	3 times	1 to 10 times	Indicates the number of retries in the event of connection error.

c) Q-Server

The Q-Server is an application to process the print data. The Q-Server of this system supports multiple file serves. Furthermore, it allows connection of multiple print servers for one file server.

Item	Factory default	Setup range	Description
Number of connected file servers		1 to 8 servers	
Number of connected queues		1 to 64 queues	
Registered file server name	Null character string	Maximum four servers *Maximum 48 characters	
Registered queue name	Null character string	Maximum 84 queues *Maximum 48 characters	
Registered print server name	OKIDATA [three least significant bytes for MAC address]	1 to 48 characters	
Support F/S version	2.2C, 3.1X, 4.X, 5		Indicates the file server version. Connection of 2.15C and 2.2 is not confirmed.
Polling intervals	5 sec.	1 to 60 sec.	Indicates the time of job search intervals for each queue in idle time.
NDS Tree Name	Null character string	1 to 32 characters	Indicates the NDS tree name.
NDS Context Name	Null character string	1 to 256 characters	Indicats the NDS Context name.

9) EtherTalk

a) Support OS
System7.0, 7.1, 7.1.X
System7.5, 7.5.1, 7.5.2, 7.5.3, 7.5.5
MAC OS7.6, 8.X, 9

b) PAP
The PAP is an application to process the print data.

Item	Factory default	Setup range	Description
Number of connected clients	1 client	1 client	Indicates the number of clients which can be connected simultaneously. Simultaneous connection is possible up to one client.
Printer name	OKIPAGE 14i	One, max. 32 characters	Indicates the printer name which can be set on the printer.
Zone name		One, max. 32 characters	Indicates the zone to which the printer belongs.

10) NetBEUI

a) Support OS
Windows95/98
WindowsNT4.0
Windows2000

b) NetBIOS

Item	Factory default	Setup range	Description
Host name	OKIPAGE 14i	1 to 15 characters	Indicates the NetBIOS Host name.
Work Group Name	OKIDATA	1 to 15 characters	Indicates the NetBIOS Work Group name.

11) OKI Original Port

The OKI Original Port provides special processing which is beyond the scope of normal menu operation.

Item	Description
Initial recognition	Executes the processing of finding out the printer by the setup utility when the printer is connected to the network.
Flash Down Load	Provides download processing of the program for the flash ROM.
PJL command/response	Serves as a PJL port to send and receive the PJL command.

12) Others

a) Hot Protocol

The Hot Protocol provides a function of simultaneous meeting of requests for connection from multiple clients using different transport layer protocols.

b) Multi-user

The Multi-user provides a function of simultaneous meeting of requests for connection from multiple clients using the same transport layer protocol.

c) Permissible connection

	Number of connections	Remarks
Total number of connections	10	
Number of connections for simultaneous use of management APs (Telnet, SMP, Web, OKI Original Port)	2	
Number of connections for simultaneous use of printing APs	8	

13) Setup

Each setup item can be set by the menu and network management tool.

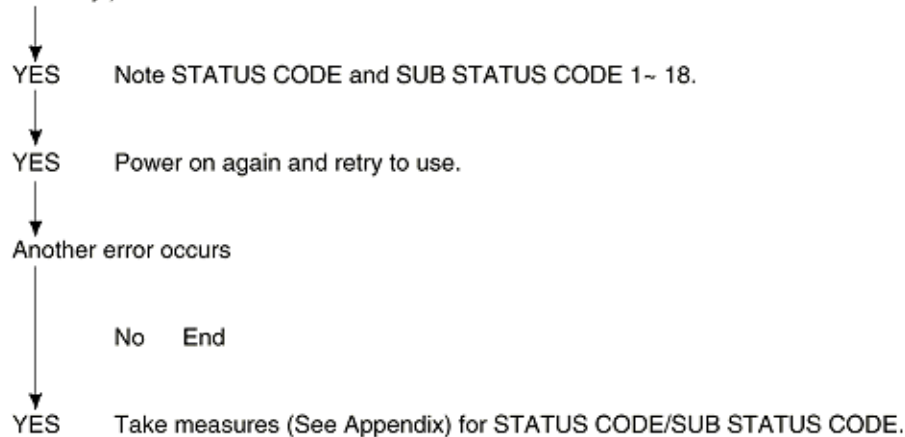
Classification	Setup Item	Menu Change	Management tool change	Description
Common	Network valid/invalid	O	O	Valid/invalid for entire network
	Frame type	X	O	Frame type for transmission and reception
TCP/IP	TCP/IP valid/invalid	O	O	TCP/IP valid/invalid
	IP Address	O	O	
	IP subnet mask	O	O	
	Default gateway	O	O	
Netware	Netware valid/invalid	O	O	Netware valid/invalid
	Netware mode	X	O	R-Printer/Q-server
	Network address	X	X	
	Q-server print server name	X	O	
	Q-server connection file server name	X	O	
	Q-server polling rate	X	O	
	NDS Tree name	X	O	
	NDS Context name	X	O	
	R-Printer printer name	X	O	
	R-Printer connection print server name	X	O	
NetBEUI	NetBEUI valid/invalid	O	O	NetBEUI valid/invalid
	NetBIOS Host name	X	O	
	NetBIOS Workgroup name	X	O	
AppleTalk	EtherTalk valid/invalid	X	O	EtherTalk valid/invalid
	printer name	X	O	
	EtherTalk zone name Specify by 1/-2/-3/-4 options.	X	O	Name of the zone to which the printer belongs.
	EtherTalk Printer name	X	O	Name of the printer.

Copyright 2000, Oki Data, Division of OKI America, Inc. All rights reserved. See the Oki Data Business Partner Exchange (BPX) for any updates to this material. (<http://bpx.okidata.com>)

14) TROUBLESHOOTING

- a) Basic Procedure
Processing flow after the occurrence of an error

An error occurs (operator panel indicates "HOST I/F ERROR" or the function would not perform normally.)



- b) Checking STATUS CODE/SUB STATUS CODE

If a communication error occurs in sending/receiving in this Network card, the LCD panel will display "HOST I/F ERROR". In this case, check the error status in the following procedure for handling. Also, When each function does not perform, Be sure to note this code.

(SUB STATUS CODE might include values which indicate other statuses but error.)

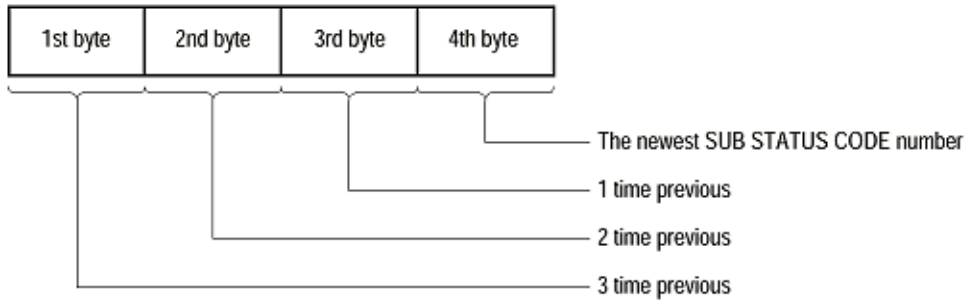
- (1) Press "Recover" button for 2 seconds or more to release the error.
- (2) Press "MENU 1" button for 2 seconds or more under the OFF-LINE state to make a shift to level 2 menu setting. after that, "PRINT MODE" is indicated.
- (3) Press "MENU 1" button repeatedly until "NETWORK" is indicated and press "ENTER" button to go to Network setting mode.
- (4) Press "MENU 1" button repeatedly until "MAINTENANCE" is indicated, and pressing "ENTER" button, "STATUS" will be indicated. At this time, the figures which indicate the type of error appears in the lower part of LCD.

(5) And then, when pressing "<<" and ">>" button, the detailed SUB STATUS CODE from "STATUS 1" to "STATUS 18" will be indicated in numeric figure. Address each of them by referring to Appendix, STATUS CODE corresponding table as well as the figures of 'STATUS' described above.

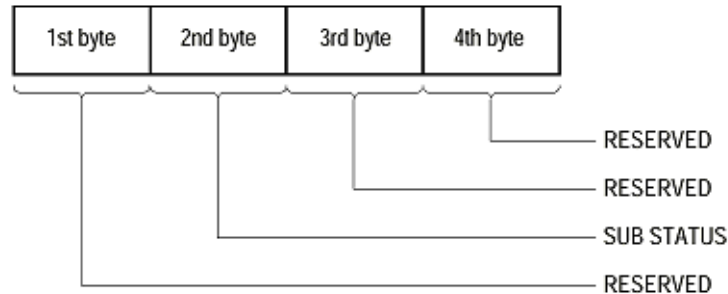
(6) Press "ON-LINE" button to pass the menu setting mode back to the idle state.

c) Viewing STATUS CODE/SUB STATUS CODE

How to view the area indicating "STATUS" in Network menu is shown below. This area comprises of 4 bytes and can hold 4 error states which have occurred recently. The figures which are indicated in 1st byte area in Figure represent the oldest error among 4 ones. The figures which are indicated in 4th byte area represent the newest error. Numeric figures indicated in each byte represent a SUB STATUS CODE number. In other words, if "STATUS" indicates 00021509, the error which occurred last is "STATUS 09" and the one before it is "STATUS 15", and the one before the previous one "STATUS 02". In this case, as the 1st byte is 00 (no error), it can be found out that the "STATUS 02" is the oldest error. Also, if all 4 areas (4 bytes) have been used, an item of another error which occurs next would not be registered. As the oldest error is generally the main reason in most cases, take note of this value.



How to view each SUB STATUS CODE is indicated in the followings. Although SUB STATUS CODE also comprises of 4 bytes, SUB STATUS CODE is 2nd byte. See the appendix for details of SUB STATUS CODE.



NIC driver				
Status code	Sub status	Error type	Contents	Handling
01	01, 06	Significant problem	Program error (there is possibility of program malfunction or RAM breakage)	Update of Network Program, or replacement of printer main PCB

Network Driver				
Status code	Sub status	Error type	Contents	Handling
02	01	Significant problem	Program error (there is possibility of program malfunction or RAM breakage)	Update of Network Program, or replacement of printer main PCB

IP				
Status code	Sub status	Error type	Contents	Handling
03	01	Significant problem	Program error (there is possibility of program malfunction or RAM breakage)	Update of Network Program, or replacement of printer main PCB

IPX				
Status code	Sub status	Error type	Contents	Handling
04	01	Significant problem	Program error (there is possibility of program malfunction or RAM breakage)	Update of Network Program, or replacement of printer main PCB

UDP				
Status code	Sub status	Error type	Contents	Handling
05	01	Significant problem	Program error (there is possibility of program malfunction or RAM breakage)	Update of Network Program, or replacement of printer main PCB

TCP				
Status code	Sub status	Error type	Contents	Handling
06	01, 25	Significant problem	Program error (there is possibility of program malfunction or RAM breakage)	Update of Network Program, or replacement of printer main PCB

SPX				
Status code	Sub status	Error type	Contents	Handling
07	01, 28	Significant problem	Program error (there is possibility of program malfunction or RAM breakage)	Update of Network Program, or replacement of printer main PCB

NCP				
Status code	Sub status	Error type	Contents	Handling
08	01, 28	Significant problem	Program error (there is possibility of program malfunction or RAM breakage)	Update of Network Program, or replacement of printer main PCB

Socket				
Status code	Sub status	Error type	Contents	Handling
09	24	Significant problem	Program error	Update of Network Program

Telnet server				
Status code	Sub status	Error type	Contents	Handling
10	06 ~32	Significant problem	Program error (there is possibility of program malfunction or RAM breakage)	Update of Network Program, or replacement of printer main PCB

Web server				
Status code	Sub status	Error type	Contents	Handling
11	13 ~1C	Significant problem	Program error (there is possibility of program malfunction or RAM breakage)	Update of Network Program, or replacement of printer main PCB

Utility				
Status code	Sub status	Error type	Contents	Handling
12	11, 21, 22, 99, 9A, 9B,	Significant problem	Program error (there is possibility of program malfunction or RAM breakage)	Update of Network Program, or replacement of printer main PCB

	9C		
--	----	--	--

FTP				
Status code	Sub status	Error type	Contents	Handling
13	01 ~0E	Significant problem	Program error (there is possibility of program malfunction or RAM breakage)	Update of Network Program, or replacement of printer main PCB

lpr				
Status code	Sub status	Error type	Contents	Handling
14	01 ~08	Significant problem	Program error (there is possibility of program malfunction or RAM breakage)	Update of Network Program, or replacement of printer main PCB

R-Printer				
Status code	Sub status	Error type	Contents	Handling
15	13	Insignificant problem	Program error	Update of Network Program

Q-Server				
Status code	Sub status	Error type	Contents	Handling
16	13	Insignificant problem	Program error	Update of Network Program

MIB access function				
Status code	Sub status	Error type	Contents	Handling
17	01, 02, 03, 11, 12, 13, 14, 20, 21, 22,	Significant problem	Program error (there is possibility of program malfunction or RAM breakage)	Update of Network Program, or replacement of printer main PCB

	23, 24		
--	-----------	--	--

JCM & Common driver				
Status code	Sub status	Error type	Contents	Handling
18	01 -2A	Significant problem	Program error (there is possibility of program malfunction or RAM breakage)	Update of Network Program, or replacement of printer main PCB

Copyright 2000, Oki Data, Division of OKI America, Inc. All rights reserved. See the Oki Data Business Partner Exchange (BPX) for any updates to this material. (<http://bpx.okidata.com>)